

CHLORIDE

by @ignify

Exit/Emergency

CEX series

Hazardous location edge-lit
exit sign



Project: _____
Location: _____
Cat.No: _____
Type: _____
Lamps: _____ Qty: _____
Notes: _____

Example: CEXN2RWPM

CEX

Series	Mode of Operation	# of Faces	Legend Color	Mounting Configuration
CEX - Class I, Div. 1 LED Exit Sign	A - AC Only N - Self-Powered	1 - Single Face 2 - Double Face	R - Red G - Green	WPM - Wall/Pendant Mount EMB - End-Mount Bracket

codes and standards

- UL 924 and 844 listed
- NFPA 101, NEC, IBC, BOCA, and OSHA illumination standard
- UL 1598/A Marine rated
- IP65
- Temperature Class (T-Rating) T6
- The CEX Series is UL listed for Class I, Division 1, Groups C & D; Class I, Division 2, Groups A, B, C & D; Class II, Division 1 & 2, Groups E, F, & G; and Class III, Zone 1, Groups IIA, IIB; Class I, Zone 2, Groups IIA, IIB, + H2 & IIC areas.

construction

- Copper free cast aluminum enclosure with powder coat finish designed to withstand the pressure of explosions generated by internal arc without propagating them into the hazardous atmosphere.
- Acrylic edge lit single face or double face panel.
- Available in wall/pendant or end mount configurations.
- Chevrons are provided with each exit sign for field installing to panel, if needed.

electronics

- AC Only - 120/277 VAC dual voltage input.
- Self-Powered - 120/277 VAC dual voltage input with surge-protected, solid-state circuitry provides for a reliable charging system. Standard features include low voltage disconnect, AC lockout and brownout protection.

- Power consumption
AC-only red: 0.012 A (120 VAC), 0.005 A (277 VAC).
AC-only green: 0.019 A (120 VAC), 0.008 A (277 VAC).
Self-powered red: 0.020 A (120 VAC), 0.009 A (277 VAC).
Self-powered green: 0.025 A (120 VAC), 0.011 A (277 VAC).
- 50°F (10°C) to 104°F (40°C).

lamps

- Illumination of the exit stencil face is accomplished with long lasting, high output Light Emitting Diodes (LEDs).
- Hot spots and striations are eliminated by the internal "light chamber" specially designed around the high performance LED array.

battery

- Maintenance free sealed nickel cadmium battery.
- Provides a minimum of 90 minutes of emergency power.

warranty

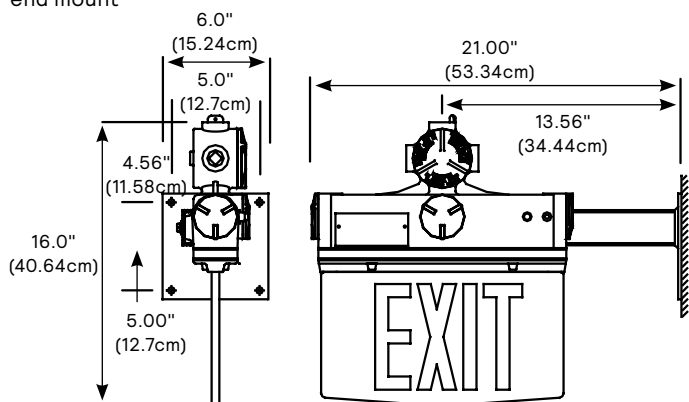
- Five full years on electronics and unit.



CEX Hazardous location edge-lit exit sign

dimensions

end mount



wall/pendant mount

