



COMMERCIAL BARBECUE LIGHT BQ-CWB02 COMMERCIAL SERIES

TYPE

SPECIFICATIONS

- CONSTRUCTION:** 316 stainless steel housing
- ARM:** 24" tall 316 stainless steel ridged stem and 335° x 90° rotating swivel
- MOUNT:** 7" diameter, 6 pound weight with stainless steel cover and non-skid rubber padding
- FINISH:** Stainless Steel – Brushed
- LENS:** High impact clear tempered flat glass
- O-RING:** High temperature red silicone, 70 durometer
- SWITCH:** On/Off push button with weatherproof rubber boot cover

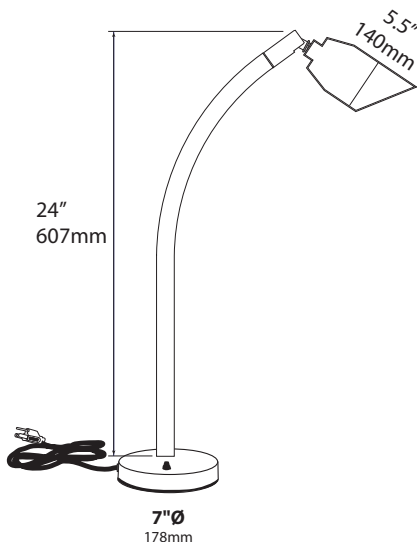
120v ELECTRICAL SPECIFICATIONS:

- LED SUPPLIED:** 7w ARROW PAR16 Flat Lens (L-134)
40,000 hours average rating
- SOCKET:** High temperature ceramic Base (E26/27) medium base,
250°C silicone insulated lead wires
- WIRING:** 9 foot grounded 120v power cord



ORDERING INFORMATION

CATALOG NO.	DESCRIPTION	LAMP	SHIP WEIGHT
120v BQ-CWB02-L134SS	Commercial Weighted Base	7w PAR16 LED SS	7.0 lbs.



JOB INFORMATION	
Type:	Date:
Job Name:	
Cat. No.:	
Lamp(s):	
Specifier:	
Contractor:	
Notes:	
FOCUS INDUSTRIES INC. 25301 COMMERCENTRE DRIVE LAKE FOREST, CA 92630	
www.focusindustries.com sales@focusindustries.com (949) 830-1350 • FAX (949) 830-3390	