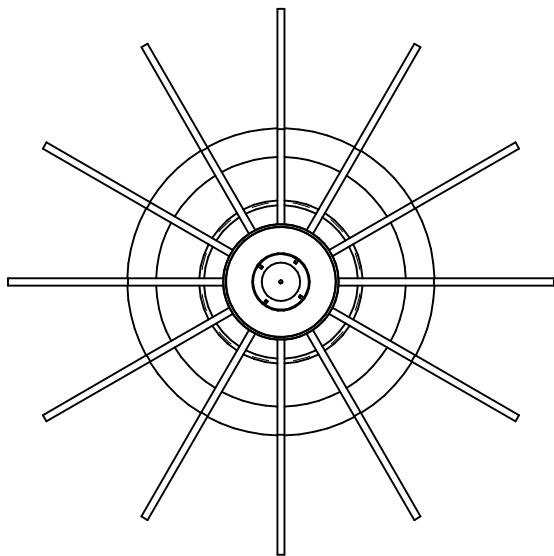
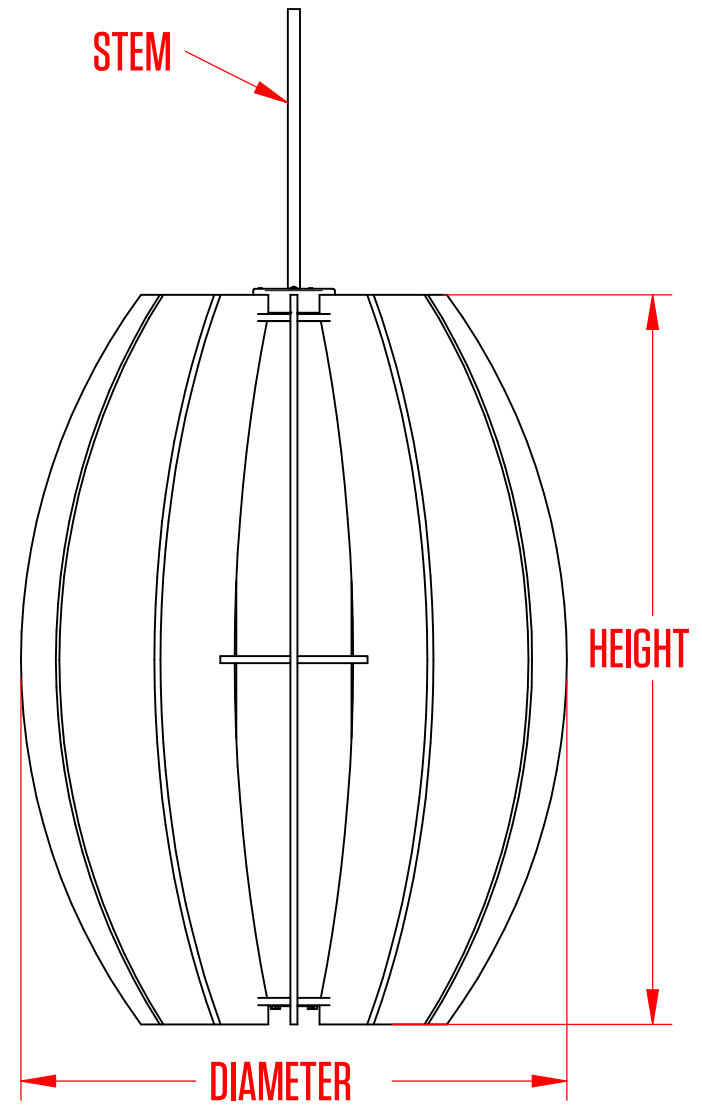
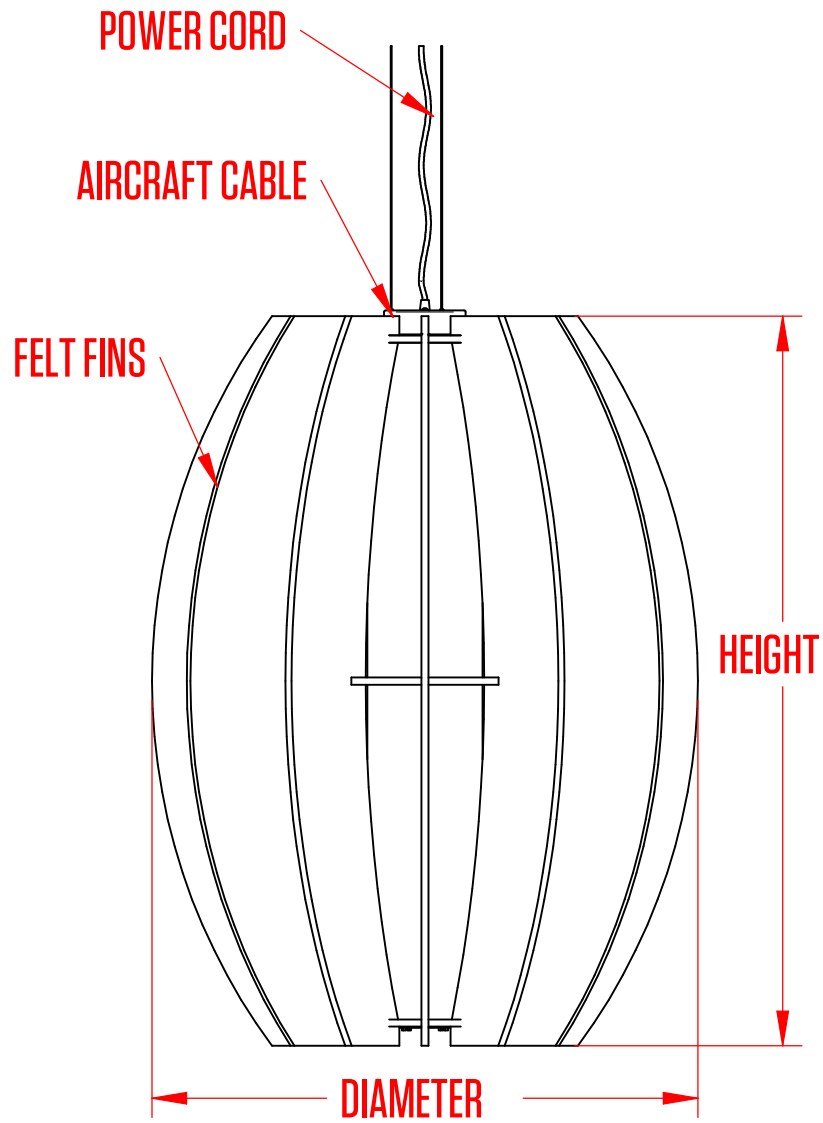


canada: 479 central avenue | fort erie, ontario | L2A 3T9
usa: 266 elmwood avenue, unit 386 | buffalo, new york | 14222
www.barbican.ca | 800 663 5781 | info@barbican.ca

| | |
|---------------|-------------------|
| PRODUCT CODE: | AR-104-U |
| PRODUCT NAME: | ZEPHER |
| CONTACT: | sales@barbican.ca |



canada: 479 central avenue | fort erie, ontario | L2A 3T9
usa: 266 elmwood avenue, unit 386 | buffalo, new york | 14222
www.barbican.ca | 800 663 5781 | info@barbican.ca

PRODUCT CODE: **AR-104-L**

PRODUCT NAME: **ZEPHER**

CONTACT: **sales@barbican.ca**