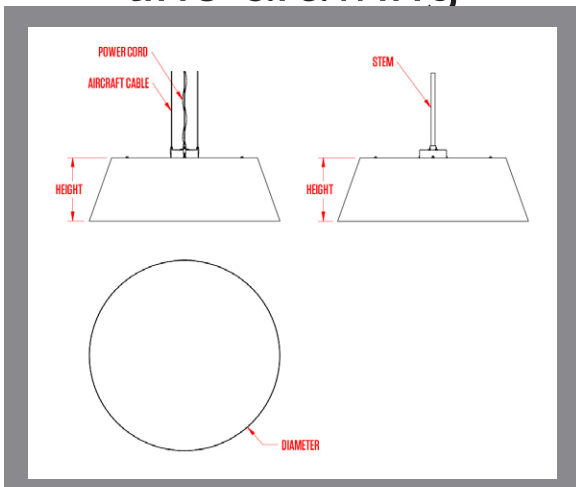


tapir

model | 16-67



line drawing



dimensions

- 24", 30", 36", 42", 48" bottom diameter
- 10" height

material

- laminated shade*
- + opal diffuser

sourcing

- LED

mounting

- aircraft cable
- stem

*See shade material under 'design options' in the resources section.