

Jut Box



The Jut Box utilizes the full range of Barbican finishes in its construction giving the design team a massive compliment of materials and colors to utilize. Pick from a variety of standard drop depths to create a unique ceiling that enhances an area while staying in budget. Good efficiency is a feature of the Jut Box as well with all dimming and LED color options available.

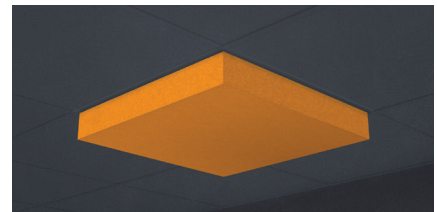
RELATED PRODUCT



JUT FOM OWTI



JUT FOM INNI



JUT ACOUSTIC OWTI

AVAILABLE FINISH OPTIONS

Laminated Fabric



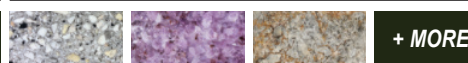
Printed Pattern



Natural Wood



Natural Stone



Artisan Collection



Jut Box



SPECIFICATION (1/2)

Fixture	Type	Width	Length	Diffuser Height	Shade Finish Category*	Shade Finish Selection*
<input type="text" value="20-02"/>	<input type="text"/>	<input type="text"/>	<input type="text"/>	<input type="text"/>	<input type="text"/>	<input type="text"/>
20-02 Jut Box	L Lit U Unlit <i>If unlit is chosen do not fill lighting options in this form</i>	24D 24"	24L 24" 48L 48"	2DH 2" 4DH 4" 6DH 6" CUSDH Custom	LF Laminated Fabric PS Printed Pattern PW Natural Wood PSF Natural Stone PSASP Sarah Phelps** PSAKC Kaleidoscope** PSAAP Aleta Pippin** CP Custom Printing <i>Consult factory</i>	<input type="text"/> Finish Name <i>* See following pages for examples/ names of all available finishes</i>
<p><i>* See following pages for examples/names of some available finishes</i> <i>** Part of Barbican's Artisan Collection</i></p>						
Mounting	Housing Height	Driver Location	related to housing height		Voltage	Delivered Lumens
<input type="text"/>	<input type="text"/>	<input type="text"/>	<input type="text"/>		<input type="text" value="UNV"/>	<input type="text"/>
RAM Recessed ATC RFM Recessed Plaster Flange	4HH 4" (ADDL) 6HH 6" (FMDL)	ADDL ACT Remote Driver FMDL Fixture Mounted MRDL Multi Remote Driver			UNV 120/277 Volts <i>Consult factory for other voltages</i>	1300LM 1300LM / 13W 2640LM 2640LM / 25W 4400LM 4400LM / 42W 5280LM 5280LM / 50W* <i>*24W x 48L version only</i> CUSLM Custom Lumen Output* <i>1300 - 8800 lumens</i> <i>Consult factory for outputs outside of this range</i> <i>Delivered Lumens</i> <i>3000K, 90CRI</i>
Color Temperature	Color Rendering	Dimming Driver				
<input type="text"/>	<input type="text" value="90CRI"/>	<input type="text"/>				
2700K 2700K 3000K 3000K 3500K 3500K 4000K 4000K 5000K 5000K	2765K Tunable White* <i>2700K - 6500K</i> RGB30 RGBW* <i>RGB + 3000K</i> 3000FS Full Spectrum <i>3000K</i> 3500FS Full Spectrum <i>3500K</i> CUSK Custom CT <i>2400K - 6000K;</i> <i>Consult factory</i>	90CRI 90+ CRI				
		S010V10 Standard 0-10V, 10% S010V01 Standard 0-10V, 1% E010V01 eldoLED 0-10V, 1% EDALI01 eldoLED DALI, 0.1% EDMX01 eldoLED DMX, 0.1% ELV05 ELV Hatch, 5% LECO01 Lutron Ecosystem, 1% SOFTB, <i>(Soft-on, Fade-to-Black)</i> LECOTW Lutron Ecosystem, 1%, Tunable White <i>- T series</i> MOLPOE Molex POE Node CUSDD Other Driver Options <i>Consult factory for availability of other driver options</i>				

Jut Box

WRITTEN SPECIFICATIONS

LED System

- LED Circuitry is applied to minimum 0.0625" thick aluminum trays for excellent heat management and to provide even illumination.
- LEDs are 90+CRI, 3 SDCM.

Construction

- Diffuser: 0.120" Extruded PETG (polyethylene terephthalate glycol-modified); which is a variant of PET used in water bottles everywhere. Suitable for environments where high levels of disinfectant products are used. It also has a much higher impact resistance than Acrylic.
 - Barbican uses a proprietary diffusion formula PETG which in conjunction with the LED system provides excellent efficiencies.
 - Laminated Fabric options are fully encapsulated using a wet lamination process, making these fixtures suitable for wipe down applications.
 - Metal construction to be aluminum minimum 0.0625" thickness. Fasteners are to be stainless steel.

Mounting

- Drivers: Drivers are mounted remote or mounted on top of the fixture. Standard drivers include 0-10V 10% dimming 120/277V with Power Factor of >.9. Barbican works with most Control and Driver manufacturers including POE and can easily modify the driver housings for special control gear. Fixtures over 96W may require more than one driver per fixture. Remote driver distances up to 50 ft. Contact factory for longer lengths.
- Emergency fixtures are supplied with leads and KO for UL924 relays (by others). Battery back up will usually only drive one or two of the cores in larger fixtures to maintain the 90 minute requirement. Maximum distance driver to fixture 15 feet test switched. Consult factory for special requirements.
- Labels: ETL US and Canada, CE Europe and Middle East (Dry, Damp indoor use only)
- Finish: Polyester Powder Coated standard
- Lumen Maintenance: Reported L90 > 10,000hrs, Calculated > 60,000hrs (TM-21)
- Warranty: 5 years limited at 25 Celsius. Contact Barbican for additional information.

LABELS



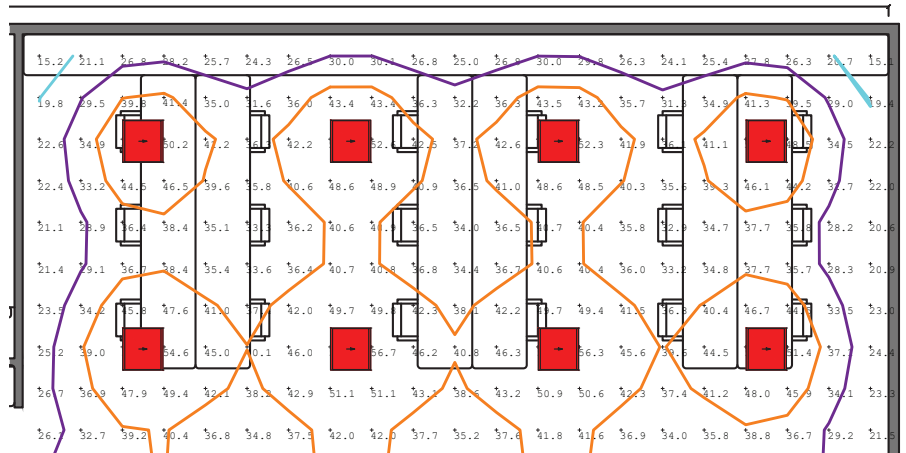
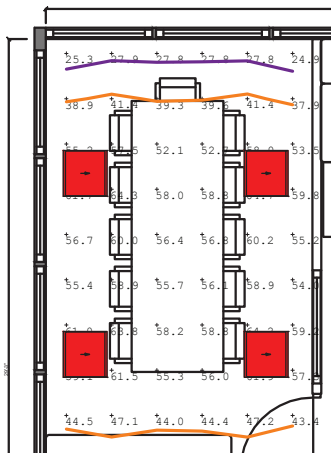
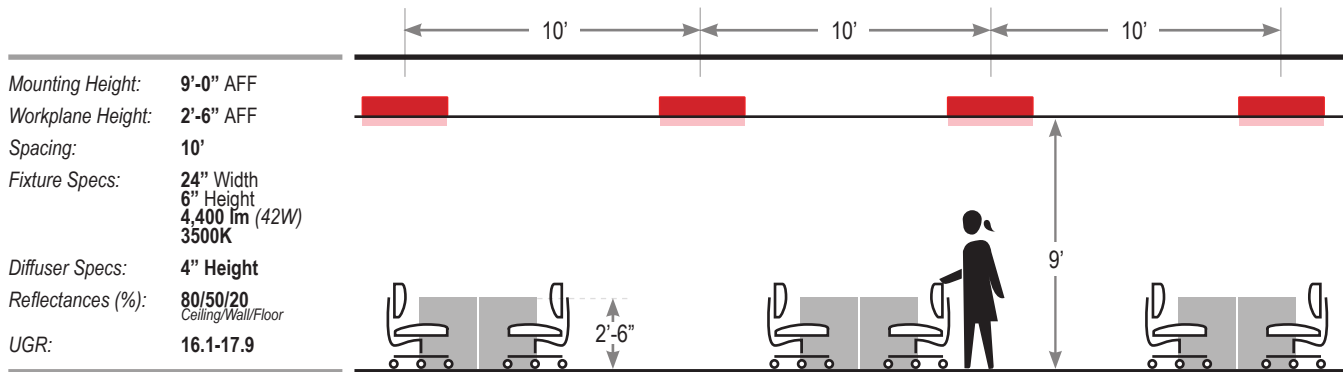
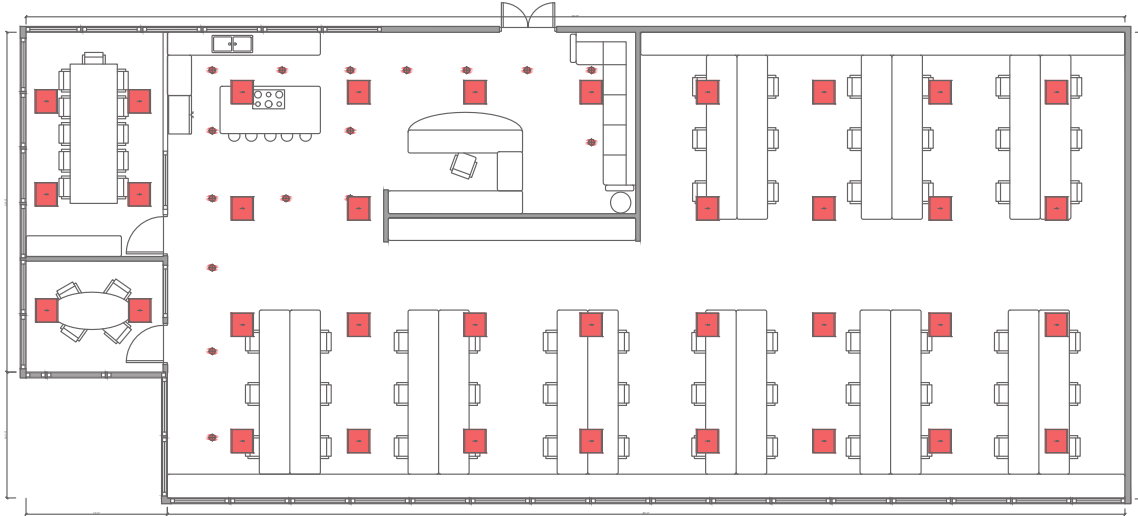
Jut Box

LAMINATED FABRIC Colour Samples



Jut Box

EXAMPLE LAYOUT

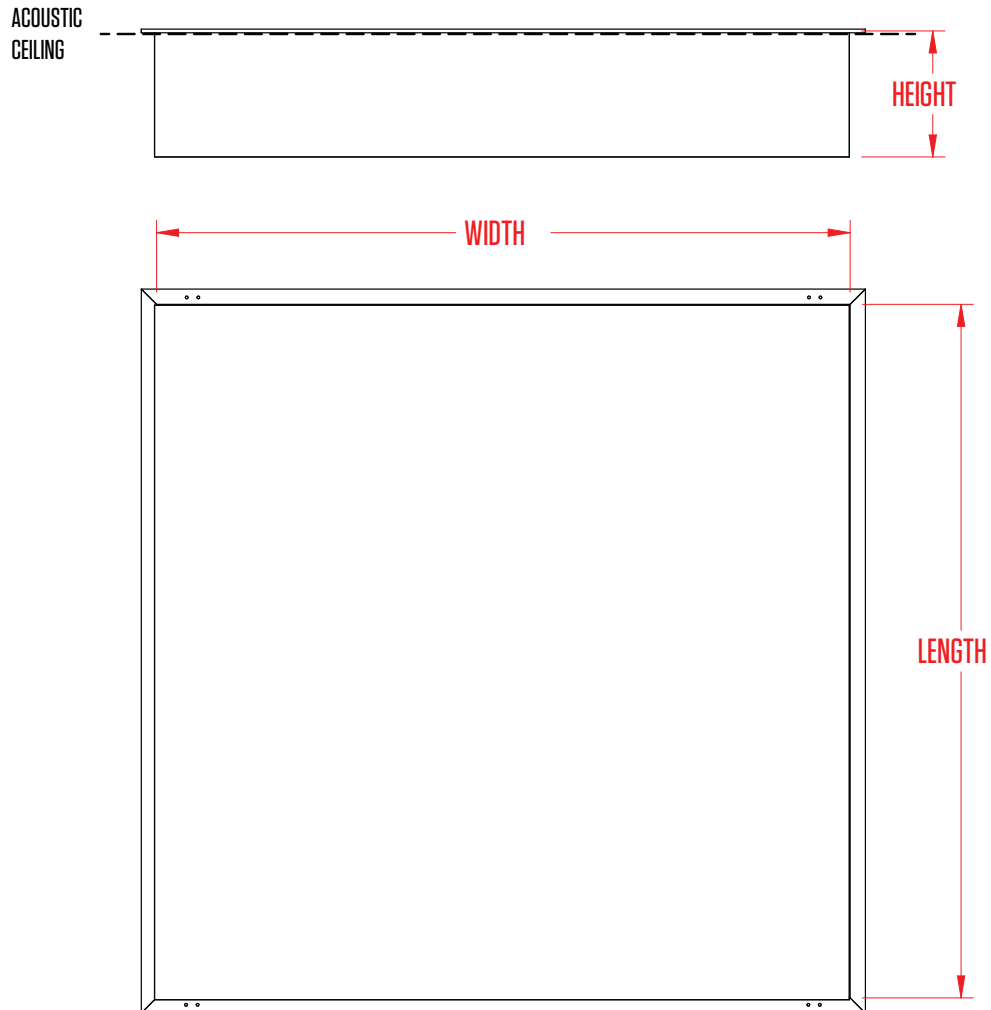


APPLICATIONS



Jut Box

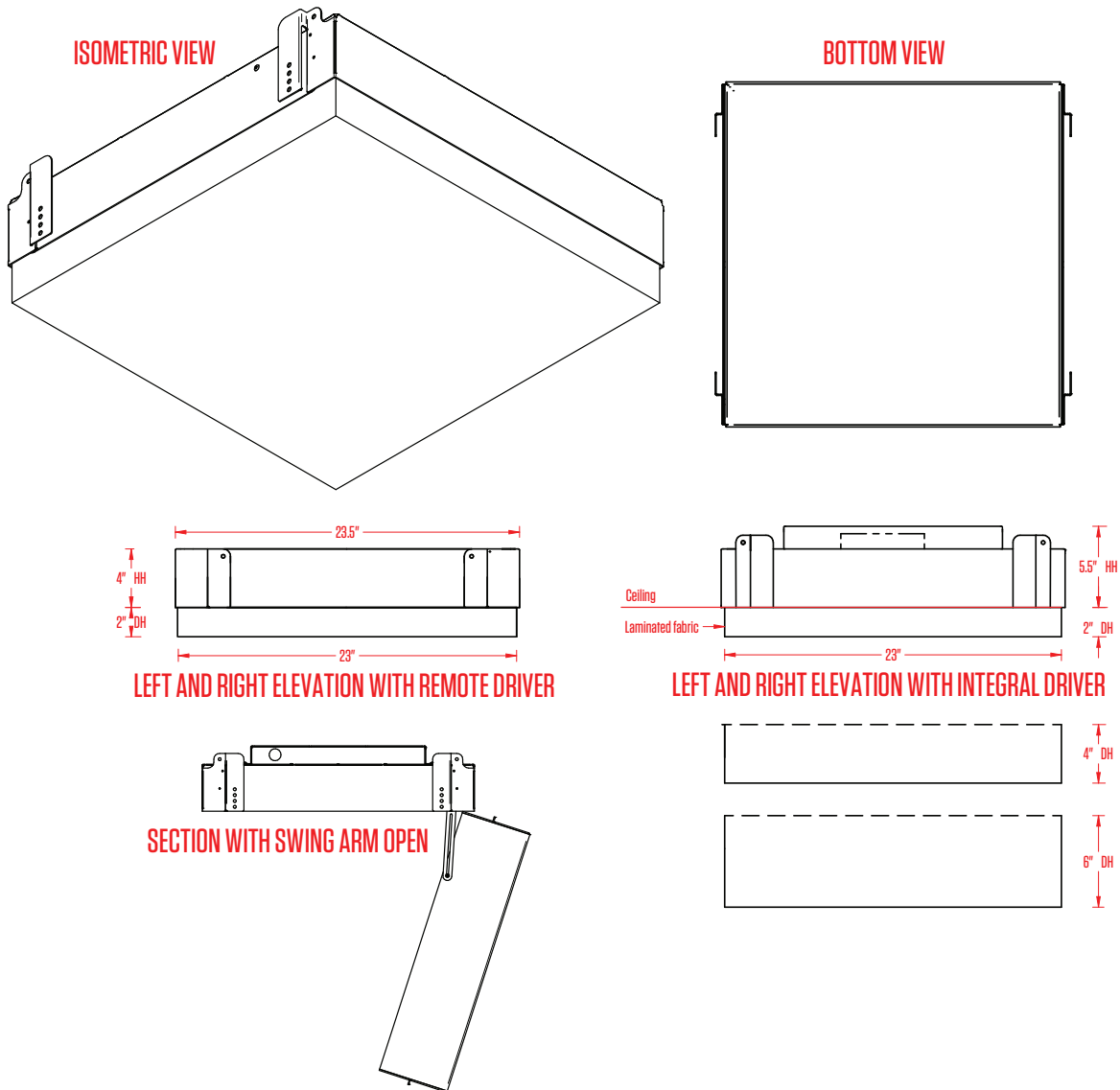
Line Drawing - Unlit



Jut Box

FIXTURE CONFIGURATIONS

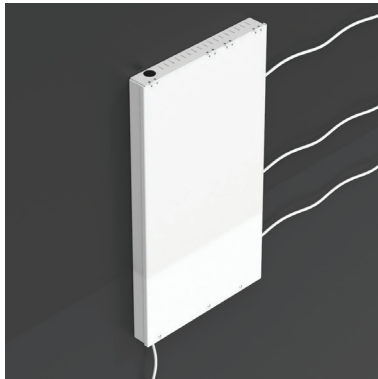
Line Drawing - Lit



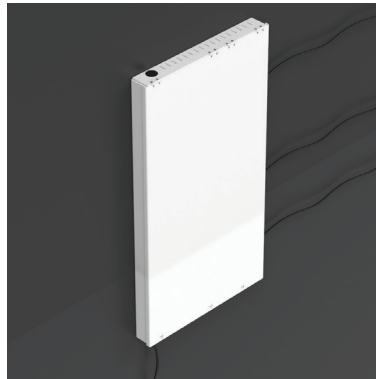
Jut Box

SPECIFICATION DETAILS (cont.)

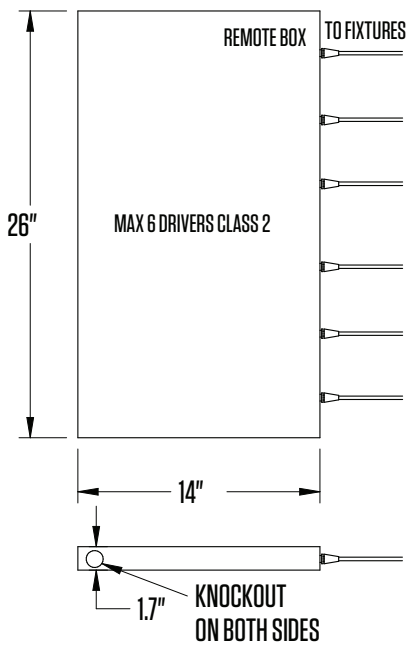
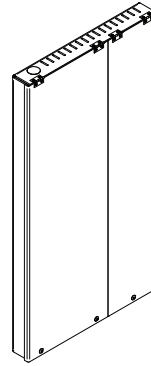
Multi Remote Driver Housing (MRDL)



White Power Cord



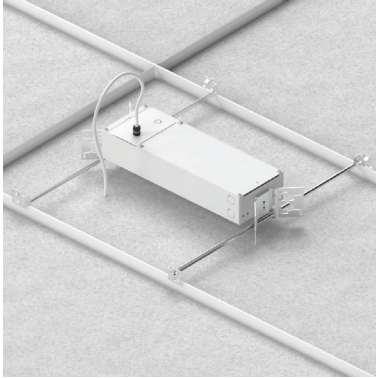
Black Power Cord



Power Supply Box Dimensions

SPECIFICATION DETAILS (cont.)

ACT Remote Driver (ADDL)



Driver Housing

