

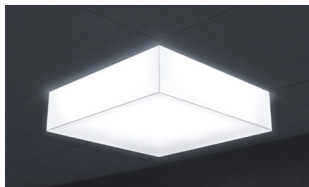


The Jut OWTI leverages Barbican's new FOM technology to allow for an array of folded diffuser shapes. If you don't see the diffuser you need feel free to create your own! If you can fold your shape from cardboard then chances are we can fold it from our high efficiency PETG materials. Our design team is ready to assist you in your project.

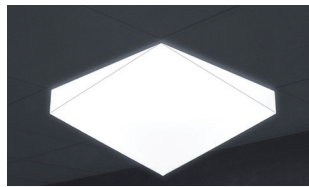
Groupings of fixtures can create mesmerizing design features in any space. Excellent efficiency is built in so feel free to create a beautiful space and reduce power consumption at the same time.

The Jut OWTI is designed for diffuser shapes below the ceiling line. Check out the Jut INNI for diffusers that rise into the ceiling. The two fixtures can be combined for even more amazing options. Stop navel gazing and use OWTI + INNI together to compliment your design.

## LENS OPTIONS



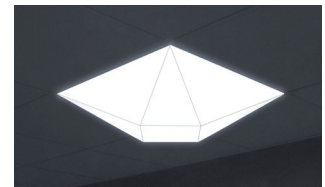
Box



Slice

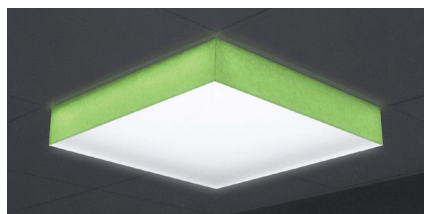


Pyramid



Facet

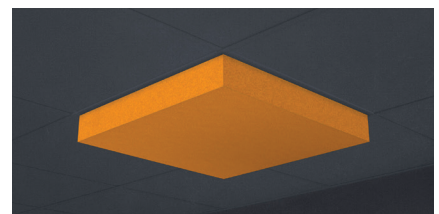
## RELATED PRODUCT



Jut Box



Jut FOM INNI



JUT ACOUSTIC OWTI

## AVAILABLE FINISH OPTIONS

PETG



## SPECIFICATION (1/2)

Fixture	Diffuser Shape	Width	Length	Diffuser Height	Housing Height	Driver Location related to housing height
<b>20-03</b>	<input type="text"/>	<b>24W</b>	<b>24L</b>	<input type="text"/>	<input type="text"/>	<input type="text"/>
<b>20-03</b> Jut OWTI	<b>BOX</b> Box <b>SLI</b> Slice <b>PYR</b> Pyramid <b>FAC</b> Facet  <b>CUSDS</b> Custom Diffuser Shape <i>Consult factory</i>	<b>24W</b> 24"	<b>24L</b> 24"	<b>2DH</b> 2" <b>4DH</b> 4" <b>6DH</b> 6"  <b>CUSDH</b> Custom Diffuser Height <i>Consult factory</i>	<b>4HH</b> 4" (ADDL) <b>6HH</b> 6" (FMDL)	<b>ADDL</b> ACT Remote Driver <b>FMDL</b> Fixture Mounted <b>MRDL</b> Multi Remote Driver

Mounting	Voltage	Delivered Lumens	Color Temperature
<input type="text"/>	<b>UNV</b>	<input type="text"/>	<input type="text"/>
<b>RAM</b> Recessed ATC <b>RFM</b> Recessed Plaster Flange	<b>UNV</b> 120/277 Volts <i>Consult factory for other voltages</i>	<b>1300LM</b> 1300LM / 13W <b>2640LM</b> 2640LM / 25W <b>4400LM</b> 4400LM / 42W  <b>CUSLM</b> Custom Lumen Output* <i>1300 - 4400 lumens                      Consult factory for outputs outside of this range</i>  <i>*Delivered Lumens                      3000K, 90CRI</i>	<b>2700K</b> 2700K <b>3000K</b> 3000K <b>3500K</b> 3500K <b>4000K</b> 4000K <b>5000K</b> 5000K <b>2765K</b> Tunable White* <i>2700K - 6500K</i> <b>RGB30</b> RGBW* <i>RGB + 3000K</i> <b>3000FS</b> Full Spectrum <i>3000K</i> <b>3500FS</b> Full Spectrum <i>3500K</i> <b>CUSK</b> Custom CT <i>2400K - 6000K;                      Consult factory</i>

Color Rendering	Dimming Driver
<b>90CRI</b>	<input type="text"/>
<b>90CRI</b> 90+ CRI	<b>S010V10</b> Standard 0-10V, 10% <b>S010V01</b> Standard 0-10V, 1% <b>E010V01</b> eldoLED 0-10V, 1% <b>EDALI01</b> eldoLED DALI, 0.1% <b>EDMX01</b> eldoLED DMX, 0.1% <b>ELV05</b> ELV Hatch, 5% <b>LECO01</b> Lutron Ecosystem, 1% SOFTB, (Soft-on, Fade-to-Black) <b>LECOTW</b> Lutron Ecosystem, 1%, Tunable White – T series <b>MOLPOE</b> Molex POE Node  <b>CUSDD</b> Other Driver Options <i>Consult factory for availability of other driver options</i>

## WRITTEN SPECIFICATIONS

### LED System

- LED Circuitry is applied to minimum 0.0625" thick aluminum trays for excellent heat management and to provide even illumination.
- LEDs are 90+CRI, 3 SDCM.
- Nominal fixture performance at 3000K 90CRI, 4400lms, 41.90 Watts, 105 LPW Delivered
- *Dynamic circadian response source available, please consult factory for information*

### Construction

- Diffuser: 0.120" Extruded PETG (polyethylene terephthalate glycol-modified); which is a variant of PET used in water bottles everywhere. Suitable for environments where high levels of disinfectant products are used. It is also has a much higher impact resistance than Acrylic.
  - Barbican uses a proprietary diffusion formula PETG which in conjunction with the LED system provides excellent efficiencies.
- Metal construction to be aluminum minimum 0.0625" thickness. Fasteners are to be stainless steel.

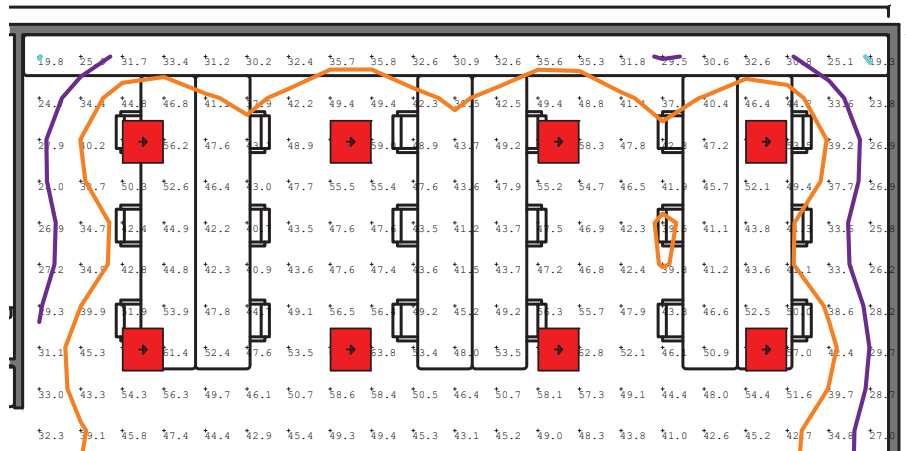
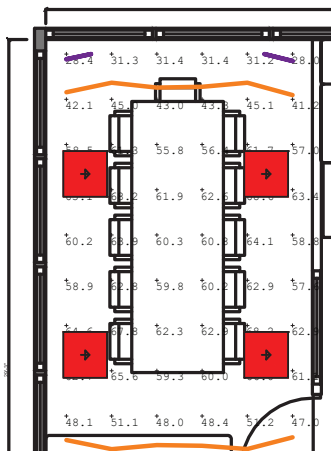
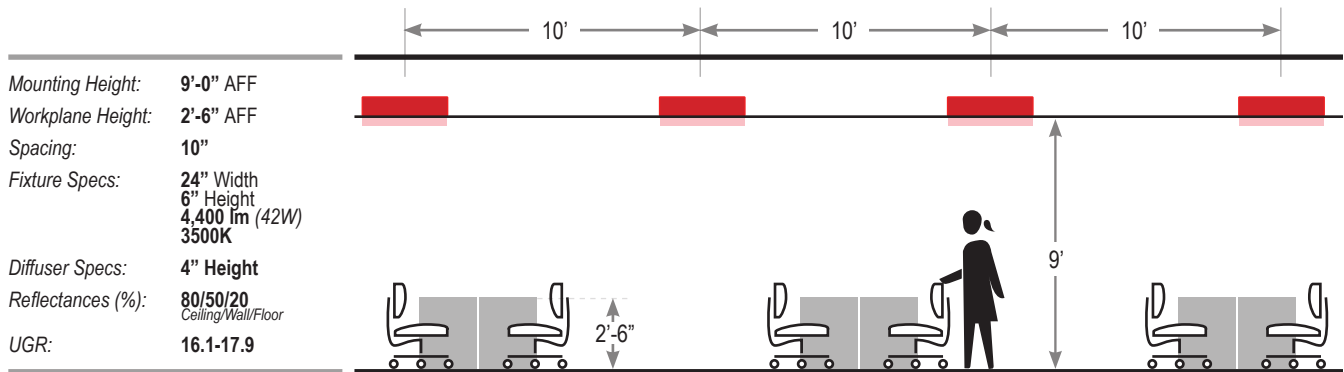
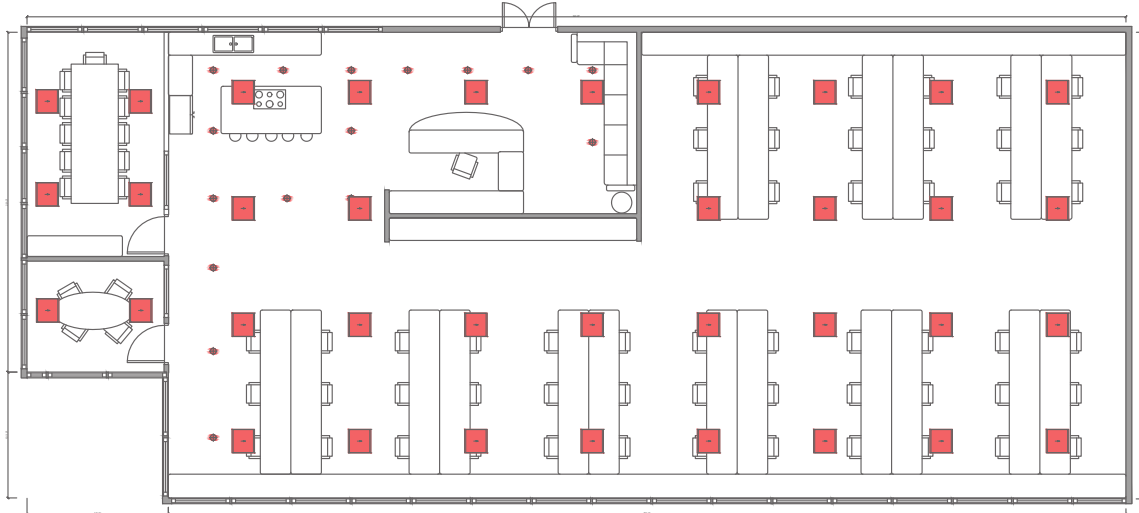
### Mounting

- Drivers: Drivers are mounted remote or mounted on top of the fixture. Standard drivers include 0-10V 10% dimming 120/277V with Power Factor of >.9. Barbican works with most Control and Driver manufacturers including POE and can easily modify the driver housings for special control gear. Fixtures over 96W may require more than one driver per fixture.
- Emergency fixtures are supplied with leads and KO for UL924 relays (by others). Battery back up will usually only drive one or two of the cores in larger fixtures to maintain the 90 minute requirement. Maximum distance driver to fixture 15 feet. One side of fixture to be free to positive test switch. Consult factory for special requirements.
- Labels: ETL US and Canada, CE Europe and Middle East (Dry, Damp indoor use only)
- Finish: Polyester Powder Coated standard
- Lumen Maintenance: Reported L90 > 10,000hrs, Calculated > 60,000hrs (TM-21)
- Warranty: 5 years limited at 25 Celsius. Contact Barbican for additional information.

## LABELS



## EXAMPLE LAYOUT





## APPLICATIONS

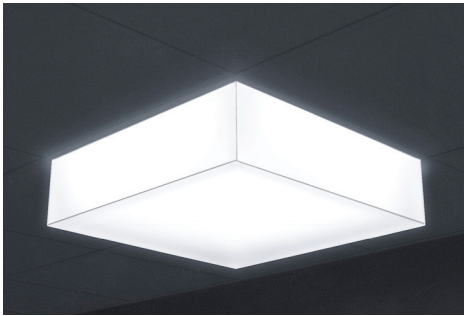


INNI + OWTI combined.

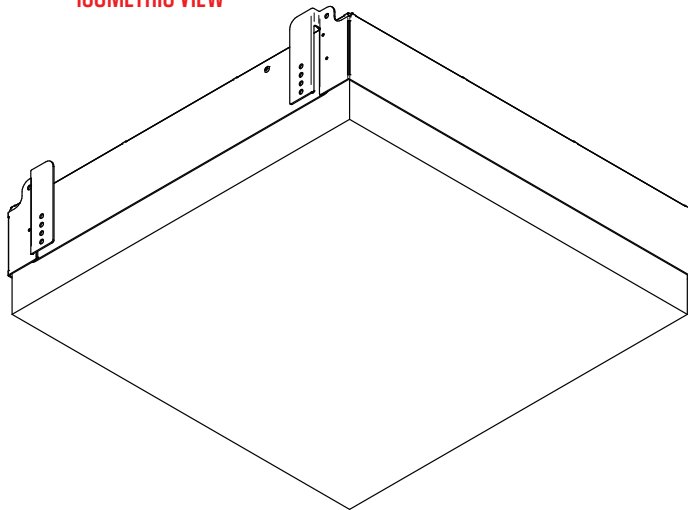


## LENS OPTIONS

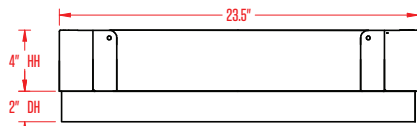
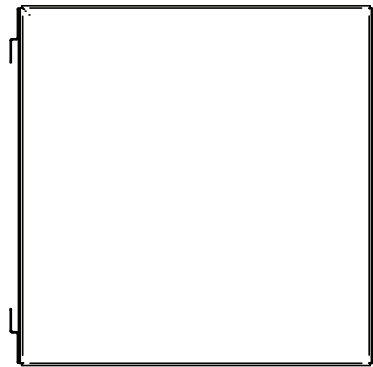
### Box



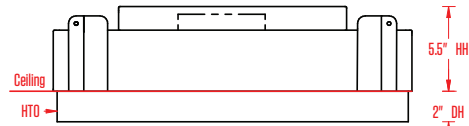
ISOMETRIC VIEW



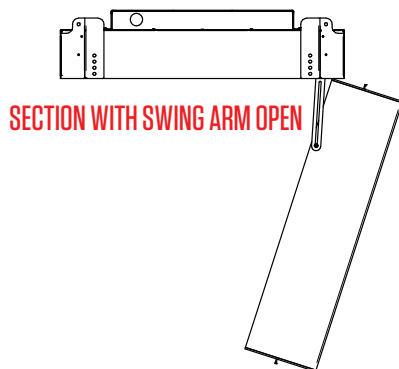
BOTTOM VIEW



LEFT AND RIGHT ELEVATION WITH REMOTE DRIVER



LEFT AND RIGHT ELEVATION WITH INTEGRAL DRIVER

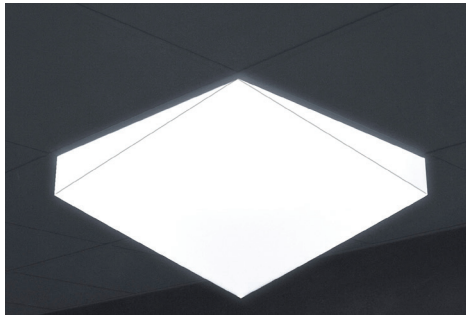


SECTION WITH SWING ARM OPEN

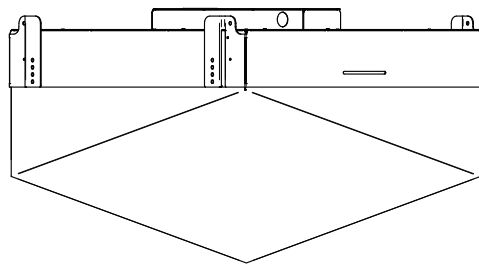


## LENS OPTIONS

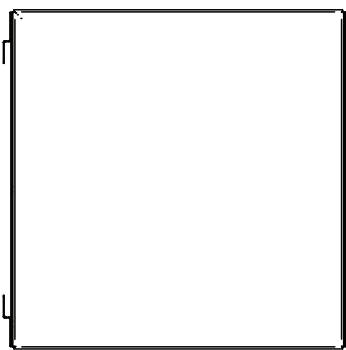
### Slice



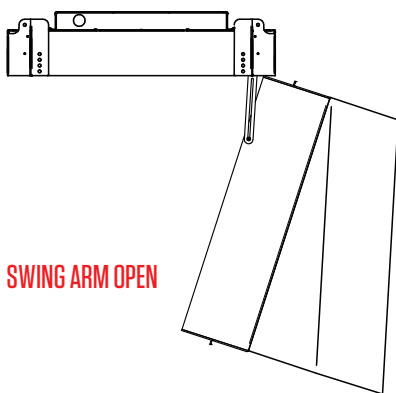
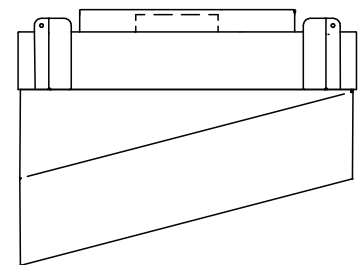
ISOMETRIC VIEW



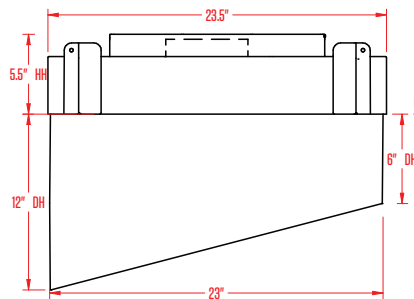
BOTTOM VIEW



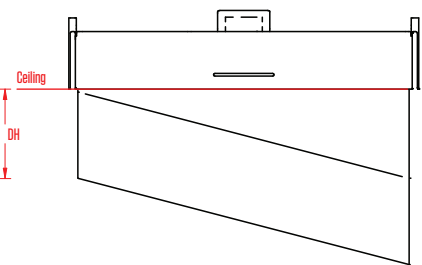
LEFT ELEVATION



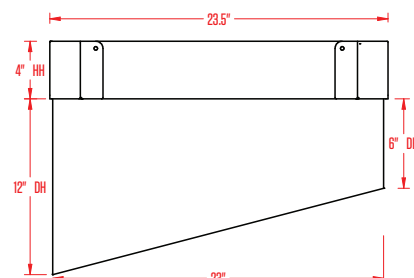
SWING ARM OPEN



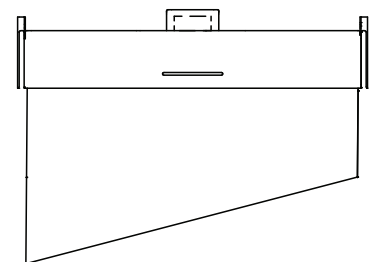
LEFT AND RIGHT ELEVATION / INTEGRAL DRIVER



FRONT ELEVATION



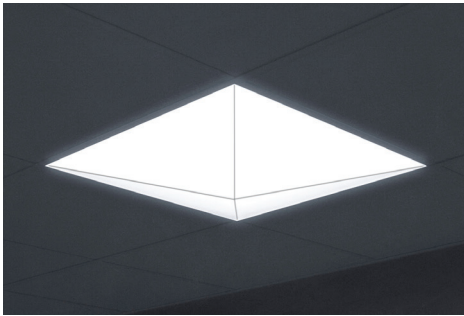
LEFT AND RIGHT ELEVATION / REMOTE DRIVER



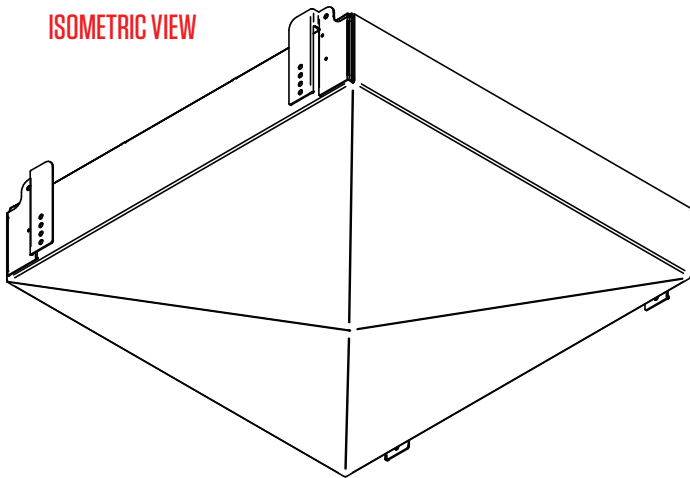
BACK ELEVATION

LENS OPTIONS

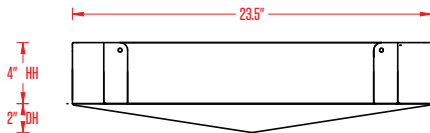
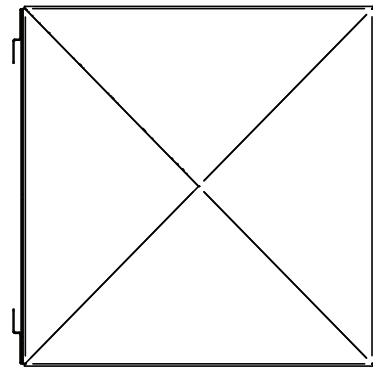
**Pyramid**



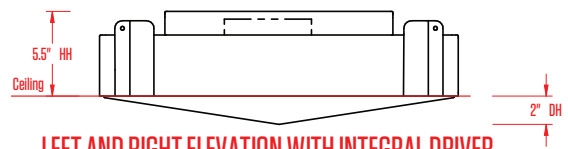
**ISOMETRIC VIEW**



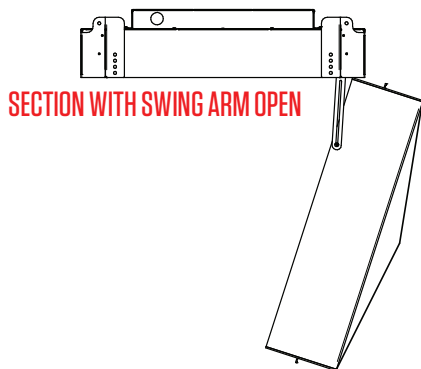
**BOTTOM VIEW**



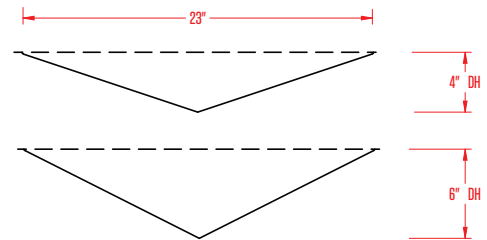
**LEFT AND RIGHT ELEVATION WITH REMOTE DRIVER**



**LEFT AND RIGHT ELEVATION WITH INTEGRAL DRIVER**



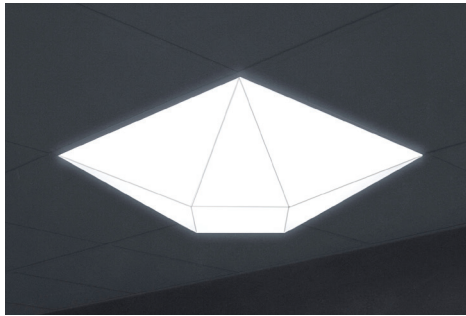
**SECTION WITH SWING ARM OPEN**



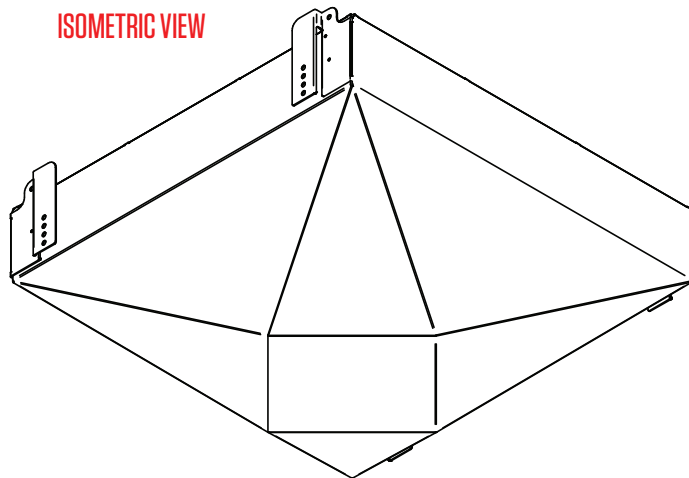


LENS OPTIONS

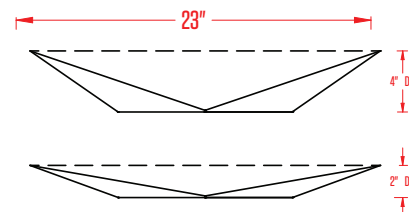
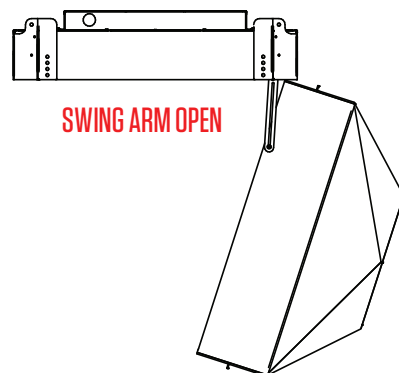
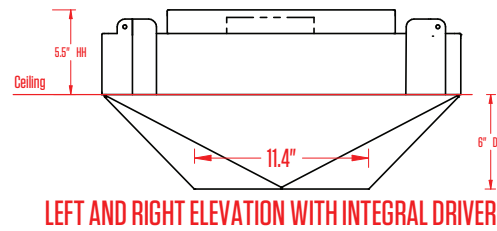
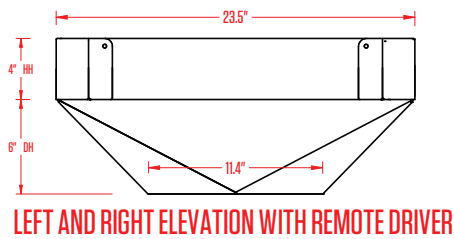
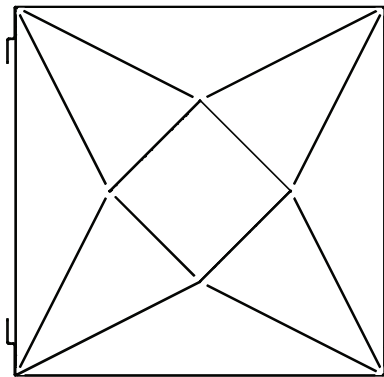
**Facet**



**ISOMETRIC VIEW**

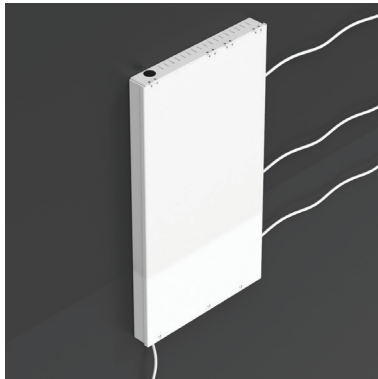


**BOTTOM VIEW**

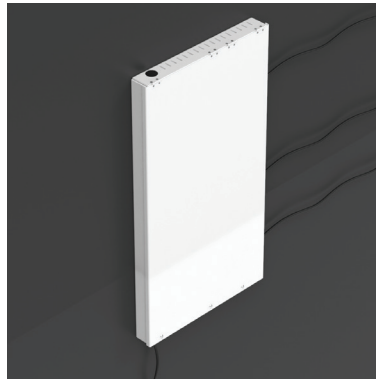


## SPECIFICATION DETAILS (cont.)

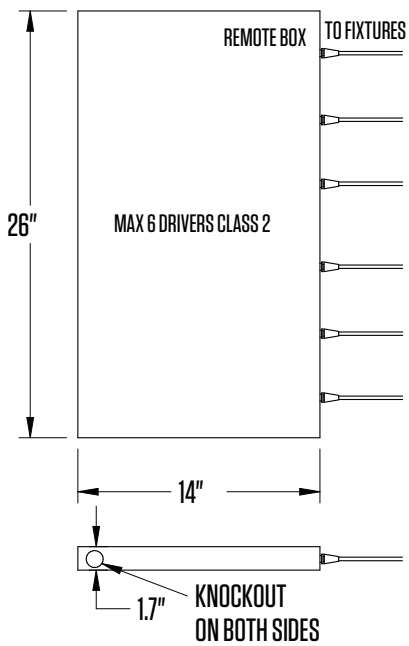
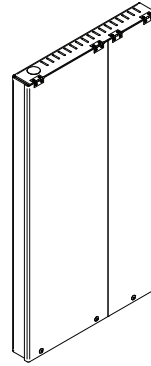
### Multi Remote Driver Housing (MRDL)



White Power Cord



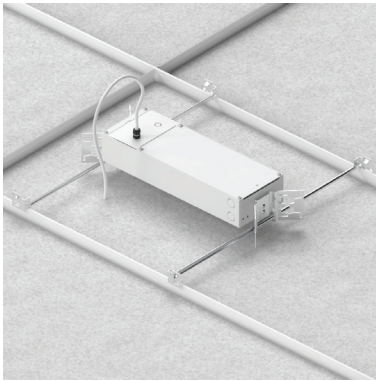
Black Power Cord



### Power Supply Box Dimensions

SPECIFICATION DETAILS (cont.)

**ACT Remote  
Driver (ADDL)**



**Driver Housing**

