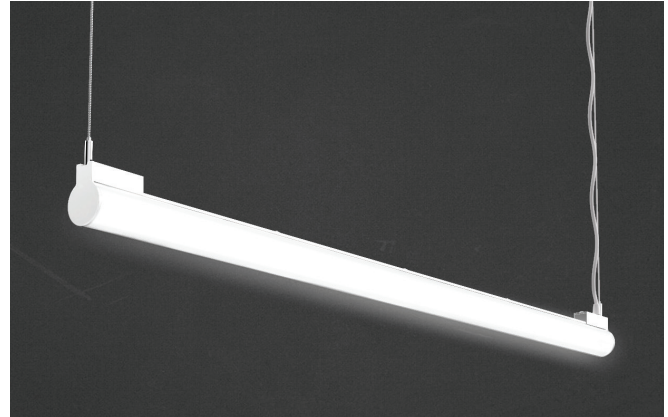


HPC SOLO

STRAIGHT

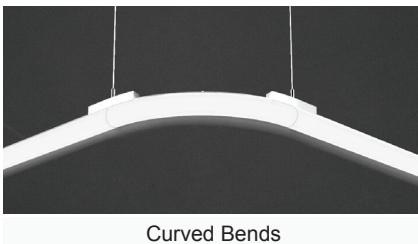


An even, continuous, tubular, architectural light source with a minimal profile, providing evenly diffused light from a single LED source at the top of the tube. Perfectly designed for spaces requiring diffused light that provides soft and even illumination on walls, ceilings, and work surfaces. The minimalist size of the profile creates visual interest without overwhelming a space. Subtle illuminated joints maintain the continuous look with minimal distraction.

The customizable **HPC Solo** system provides many configurations to fit any space including standard configurations for straight, curved, or welded continuous runs, as well a free form design possibilities with horizontal and vertical change of direction possible. All illuminated in our slimmest 2" dia profile, HPC Solo will ensure your space feels considered and beautiful.

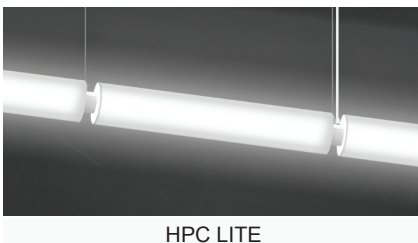


AVAILABLE CONFIGURATIONS

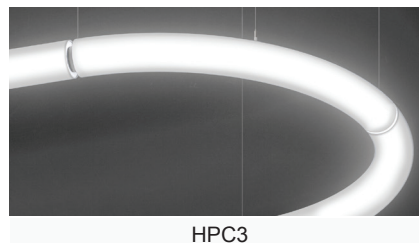


Curved Bends

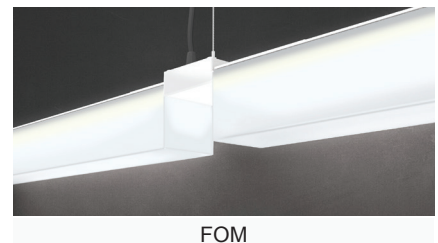
RELATED PRODUCT



HPC LITE



HPC3



FOM

AVAILABLE FINISH OPTIONS



HPC SOLO

STRAIGHT



SPECIFICATION (1/2)

Fixture	Diameter	Length	Mounting	Driver Location	Voltage
26-S	2D				UNV
26-S HPC SOLO Straight	2D 2"	24L 24" 36L 36" 48L 48" 60L 60" 72L 72" CUSL Custom length to 16' continuous to the nearest 1"; Consult factory	ACM Aircraft Cable SFM Surface Mount* <small>Consult factory for surface mounting</small> <small>* Requires "RD" Remote Driver option</small>	SCDL Surface Canopy RDDL Remote Driver ADDL ACT Remote Driver RCDL Recessed Canopy	UNV 120/277 Volts <small>Consult factory for other voltages</small>

Canopy Finish	End Cap Finish	Power Cable Finish	Delivered Lumens
WCF White BCF Black SCF Silver RAL Custom <small>RAL North America; Consult factory</small>	WEC White BEC Black SEC Silver RAL Custom <small>RAL North America; Consult factory</small>	WPC White BPC Black XPC None <small>for use with "SM" Surface Mount only</small>	0400LM Standard 400 lm/ft (4.2W/ft) 0600LM Standard 600 lm/ft (6.3W/ft) 0800LM Standard 800 lm/ft (8.4W/ft) CUSLM Custom Lumen Output* <small>200lm/ft - 800lm/ft; Consult factory for outputs outside of this range</small>

Color Temperature	Color Rendering	Dimming Driver	Options Continued on Next Page
	90CRI		
2700K 2700K 3000K 3000K 3500K 3500K 4000K 4000K 5000K 5000K	2765K Tunable White* <small>2700K - 6500K</small> RGB30 RGBW* <small>RGB + 3000K</small> 3000FS Full Spectrum* <small>3000K</small> 3500FS Full Spectrum* <small>3500K</small> CUSK Custom CT* <small>2400K - 6000K;</small> <small>* Consult factory for CT options in this column</small>	90CRI 90+ CRI	S010V10 Standard 0-10V, 10% S010V01 Standard 0-10V, 1% E010V01 eldoLED 0-10V, 1% EDALI01 eldoLED DALI, 0.1% EDMX01 eldoLED DMX, 0.1% LECO01 Lutron EcoSense, 1% MOLPOE Molex POE Node CUSDD Other Driver Options <small>Consult factory for availability of other driver options</small>

SPECIFICATION (2/2)

Modular Configuration*

Acoustics

NCMC No Configuration
CUSMC Custom Configuration
Drawing Required. Consult factory

* See following pages for corners and configuration options

NOAC No Acoustics
ADAC Add Acoustics
Consult factory for availability

WRITTEN SPECIFICATIONS

LED System

- LED Circuitry is applied to minimum 0.0625" thick aluminum extruded cores for excellent heat management.
- LEDs are 90+CRI, 3 SDCM.
- 4 foot fixture performance at 3000K, 90 CRI, 2435 lumens, 25.64 Watts, 95 LPW delivered

Construction

- Diffuser: 0.120" Extruded PETG (polyethylene terephthalate glycol-modified); which is a variant of PET used in water bottles everywhere. Designed to be used in environments where high levels of disinfectant products are used. It is also has a much higher impact resistance than Acrylic and is available up to 20 feet in single lengths.
 - Barbican uses a proprietary diffusion formula PETG which in conjunction with the LED system provides excellent efficiencies of up to 115 lumens per watt at 3000K 90+ CRI.
- Metal construction to be aluminum minimum 0.0625" thickness. Fasteners are to be stainless steel.
- Cable grippers are nickel plated solid brass and stainless steel. Cables are 1/16" stainless steel.
- Canopies and driver housings are minimum 0.0625" aluminum.

Mounting

- Pendant cable mounts are nickel plated solid brass and are supplied with escutcheon plates for through surface power cables. Power cables are low voltage from the canopy/remote mounted drivers.
- Drivers:** All drivers are mounted remote from the fixture. Standard drivers include 0-10V 10% dimming 120/277V with Power Factor of >.9. Barbican works with most Control and Driver manufacturers including POE and can easily modify the driver housings for special control gear. Fixtures over 96W may require more than one driver per fixture.
- Emergency fixtures are supplied with leads and KO for UL924 relays (by others). Battery back up will usually only drive one or two of the cores in larger fixtures to maintain the 90 minute requirement. Maximum distance driver to fixture 15 feet.
- Labels:** ETL US and Canada, CE Europe and Middle East (Dry, Damp indoor use only)
- Finish:** Polyester Powder Coated standard.
- Lumen Maintenance:** Reported L90 > 10,000hrs, Calculated > 60,000hrs (TM-21)
- Warranty:** 5 years limited at 25 Celsius. Contact Barbican for additional information.

LABELS



ETL/CE Listed



Dry/Damp Rated



5-Year Warranty



Power Over Ethernet



Tunable White



RGBW Color Tuning



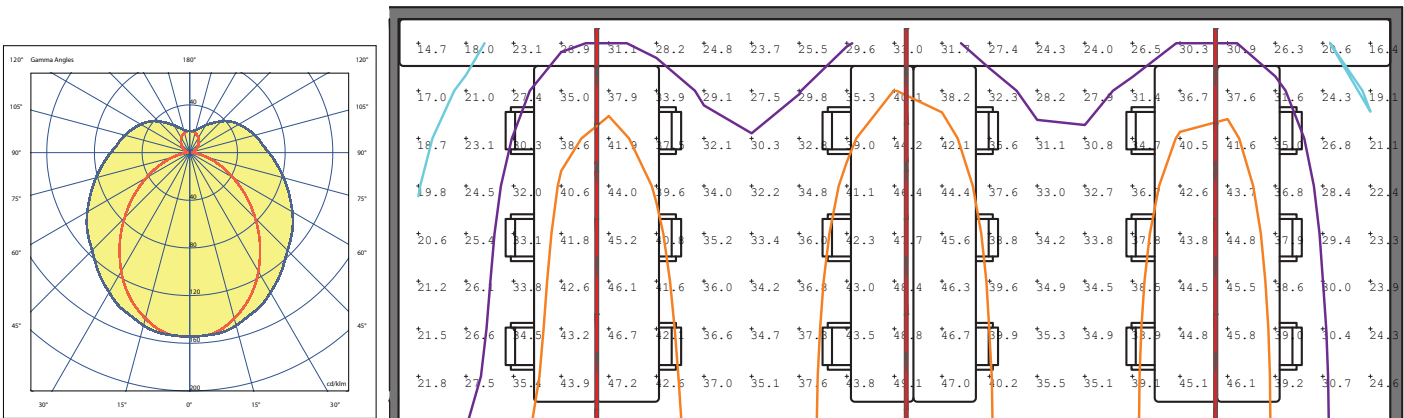
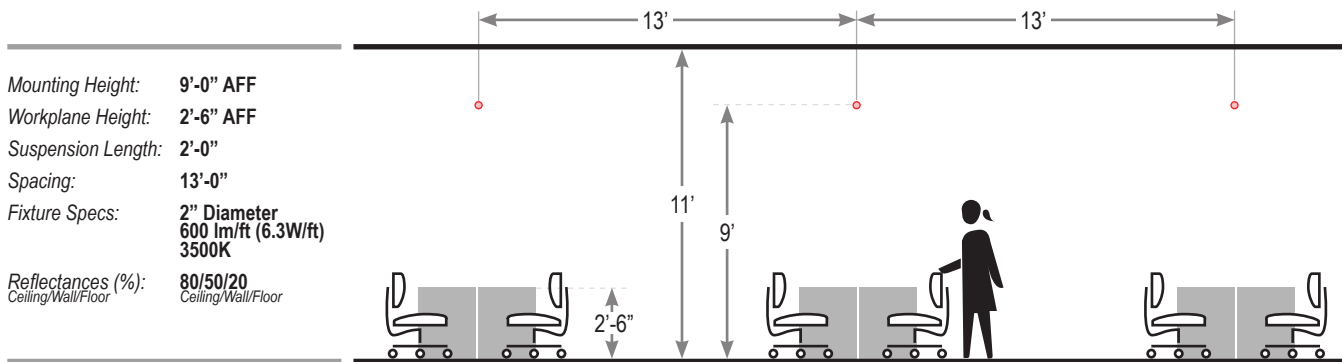
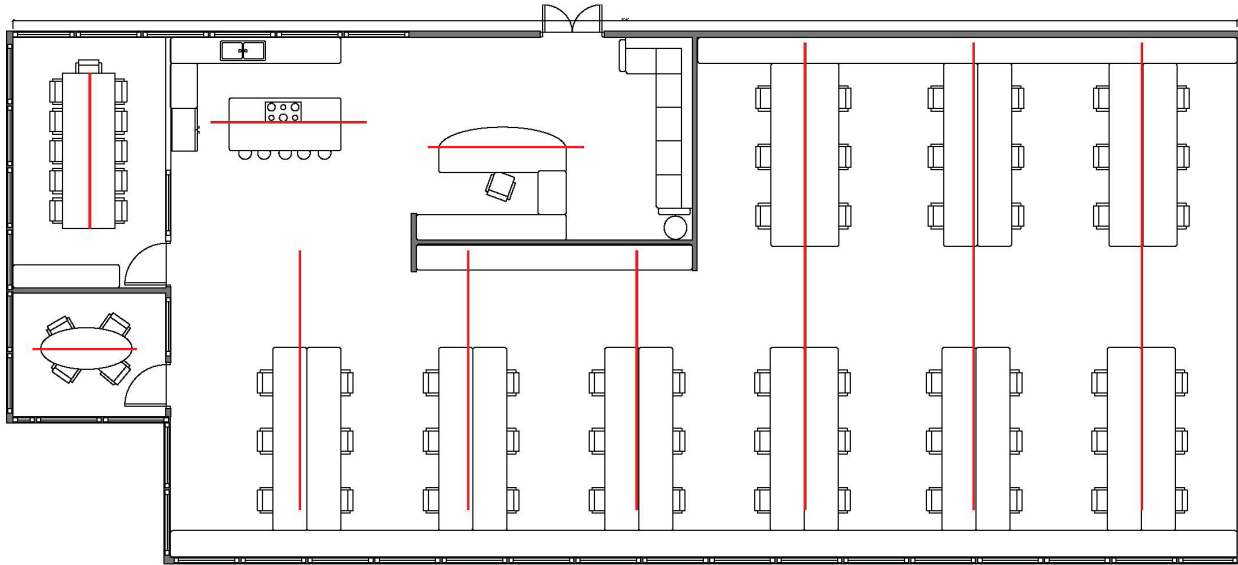
Full Spectrum

HPC SOLO

STRAIGHT



EXAMPLE LAYOUT (1/2) Linear

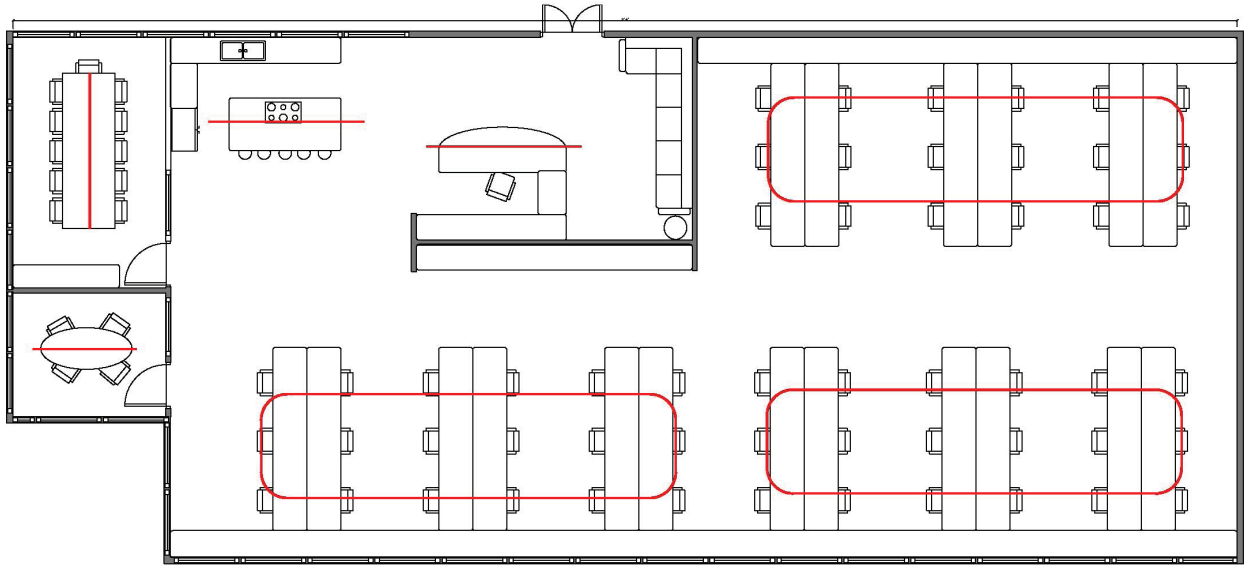


HPC SOLO

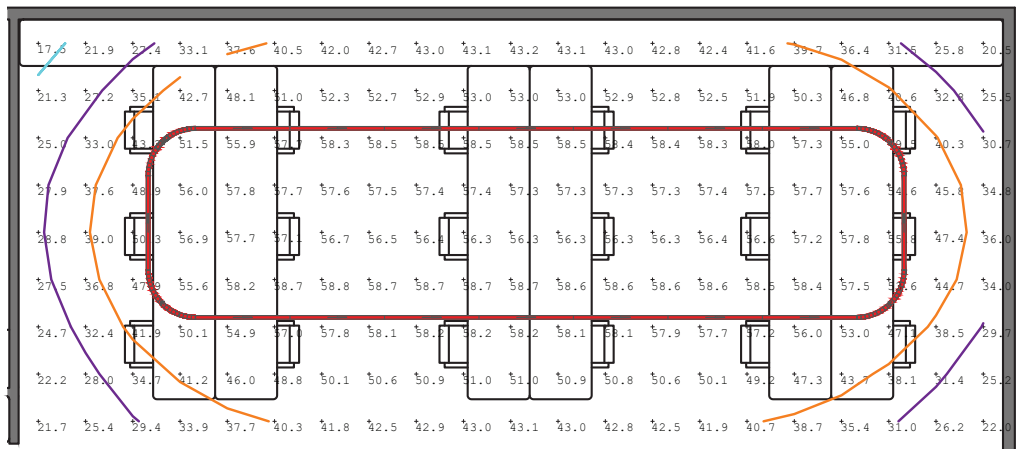
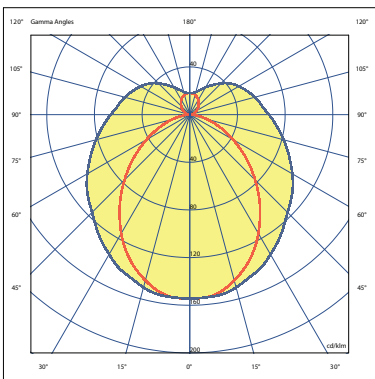
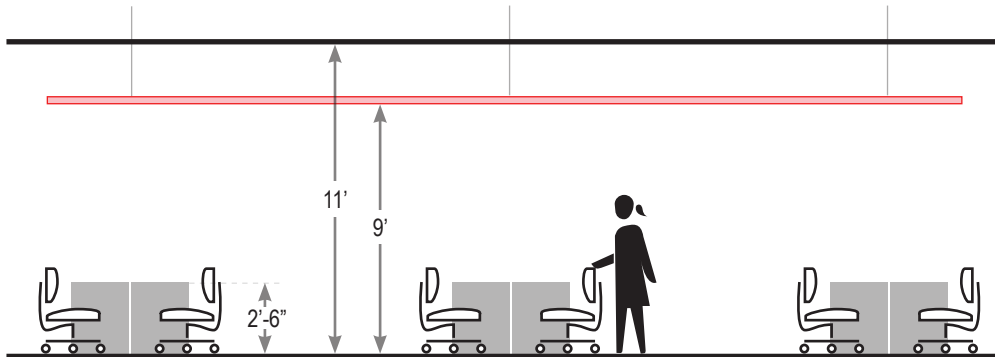
STRAIGHT



EXAMPLE LAYOUT (2/2) Rectangular



- Mounting Height: **9'-0" AFF**
- Workplane Height: **2'-6" AFF**
- Suspension Length: **2'-0"**
- Fixture Specs: **2" Diameter
600 lm/ft (6.3W/ft)
3500K**
- Reflectances (%): **80/50/20**
Ceiling/Wall/Floor



HPC SOLO

STRAIGHT



EXAMPLE LAYOUT Linear



EXAMPLE LAYOUT Rectangular



HPC SOLO

STRAIGHT



APPLICATIONS Inspiration



HPC SOLO

STRAIGHT



APPLICATIONS Inspiration



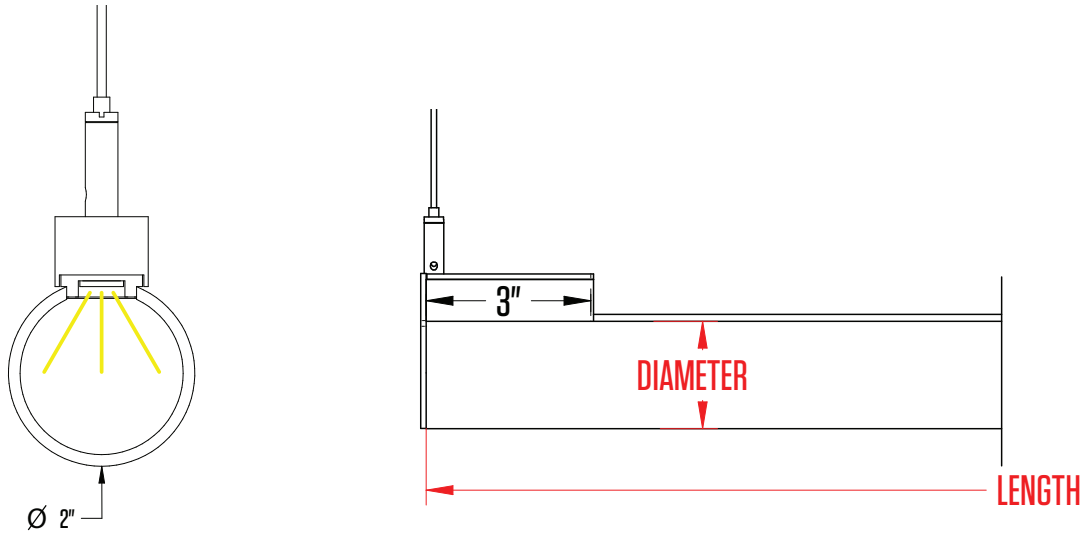
HPC SOLO

STRAIGHT

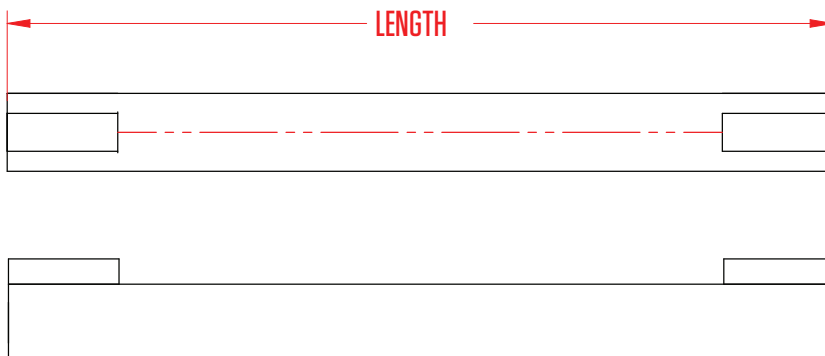


FIXTURE CONFIGURATIONS

Cross Sections



Straight Sections



TOP
PROFILE

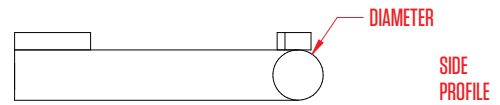
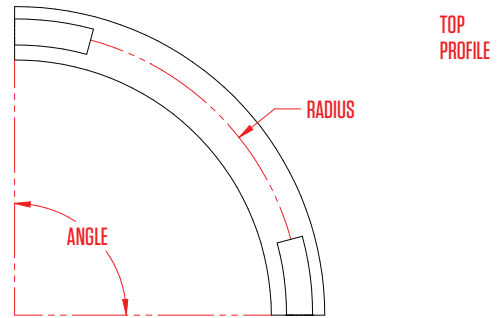
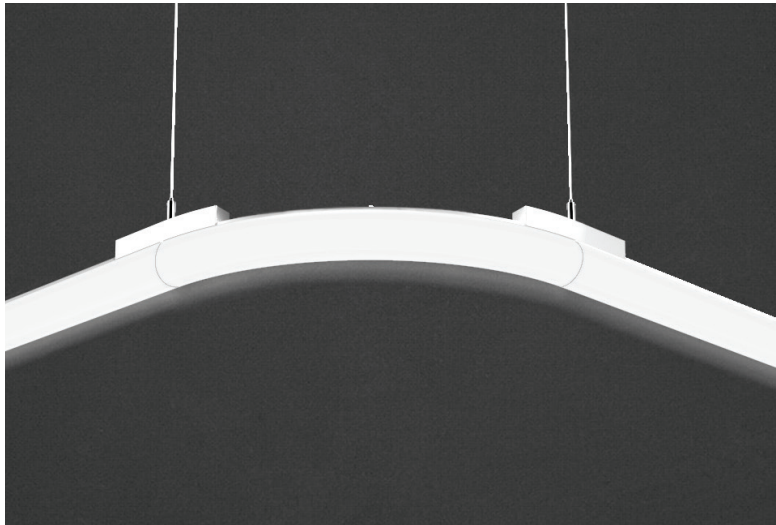
DIAMETER
SIDE
PROFILE

HPC SOLO

STRAIGHT

AVAILABLE CONFIGURATIONS

Curved Bends



Radius Options: 24", 36", 48"
Angle Options: 45°, 90°, custom
Diameter Options: 4", 6"

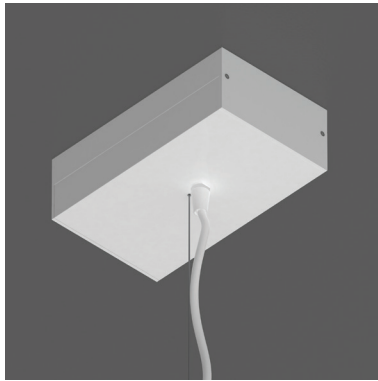
HPC SOLO

STRAIGHT



SPECIFICATION DETAILS (cont.)

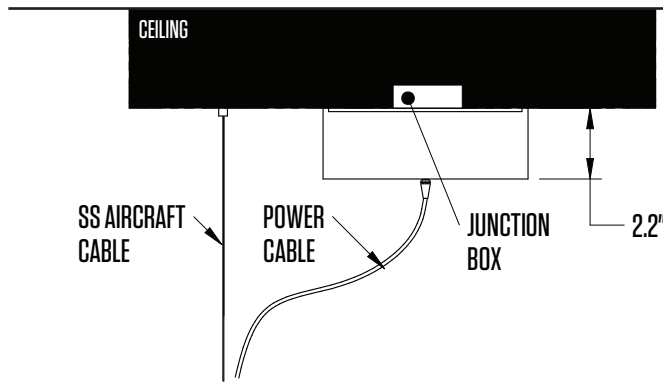
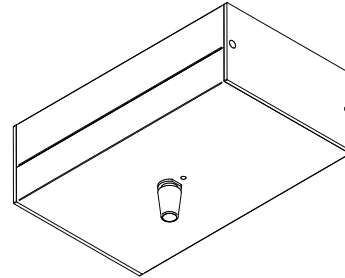
Surface Canopy (SC)



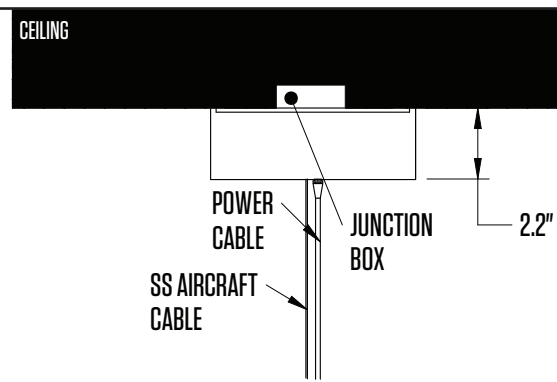
White Power Cord



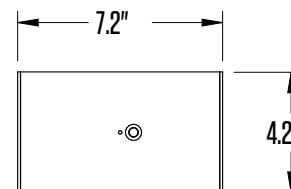
Black Power Cord



Offset Surface Ceiling Location Mounting Side View



Surface Ceiling Location Mounting Side View



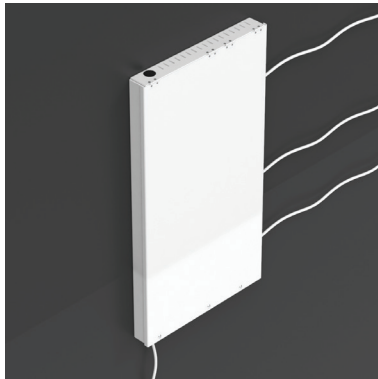
Surface Ceiling Location Mounting Bottom View

HPC SOLO

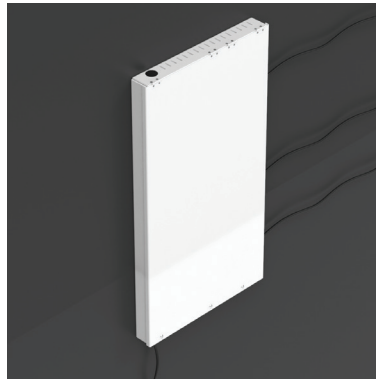
STRAIGHT

SPECIFICATION DETAILS (cont.)

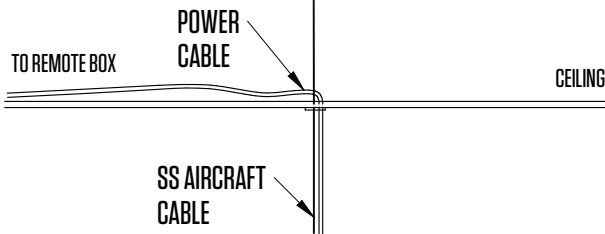
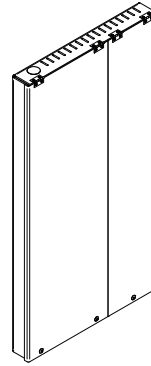
Remote Driver (RD)



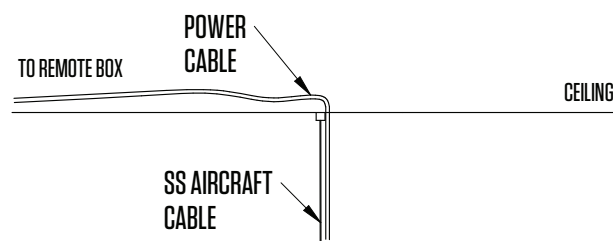
White Power Cord



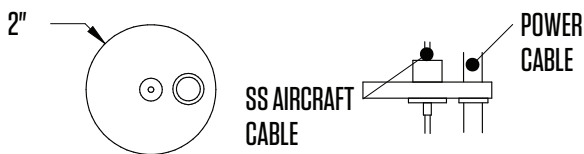
Black Power Cord



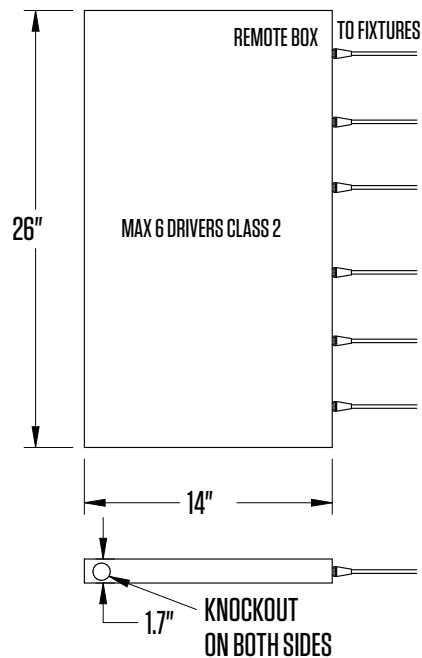
Acoustic Ceiling Power Supply Box Mounting Side View



Solid Ceiling Power Supply Box Mounting Side View



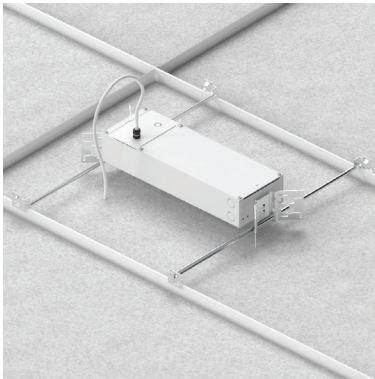
Ceiling Finishing Plate



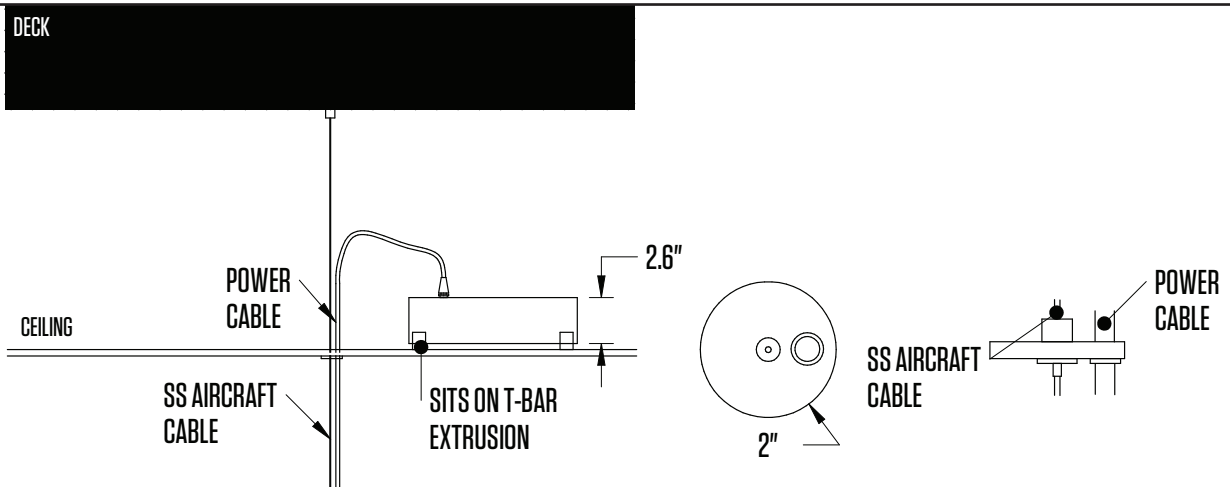
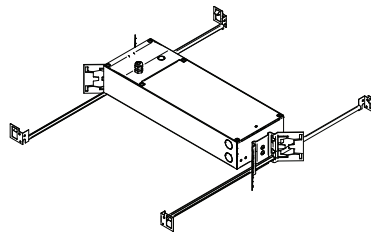
Power Supply Box Dimensions

SPECIFICATION DETAILS (cont.)

**ACT Remote
Driver (AD)**

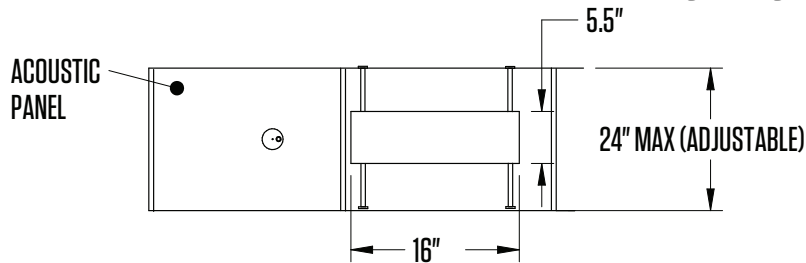


Driver Housing



Above Ceiling Location Mounting Side View

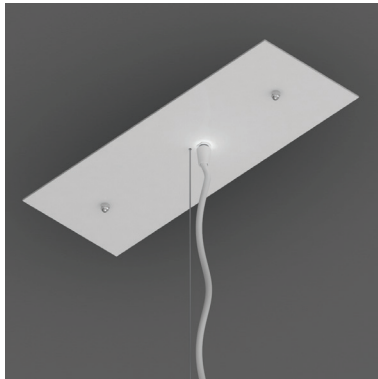
Ceiling Finishing Plate



Above Ceiling Location Mounting Top View

SPECIFICATION DETAILS (cont.)

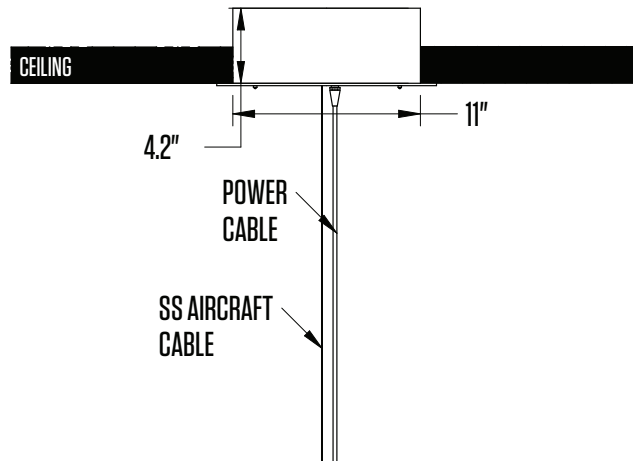
Recessed Canopy (RC)



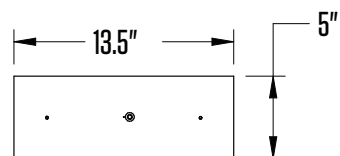
White Power Cord



Black Power Cord



Flush Ceiling Location Mounting Side View



Flush Ceiling Location Mounting Bottom View