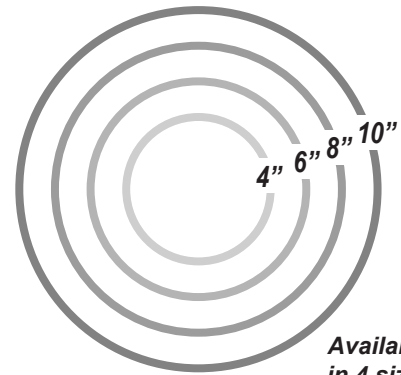


Low-glare, infinitely customizable, continuous, omni-directional, architectural light source. Perfectly designed for spaces requiring diffused light that provides soft and even illumination on walls, ceilings, and work surfaces.

The modular **HPC3** system provides many configurations to fit any space you have. Our curved and welded corners will ensure your space feels considered and beautiful, while our industry leading Quick Ship program can ensure you have your light fixtures on-site in-time.



Available in 4 sizes

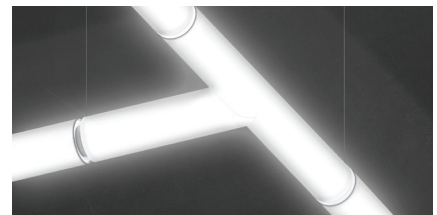
## AVAILABLE CONFIGURATIONS



Straight



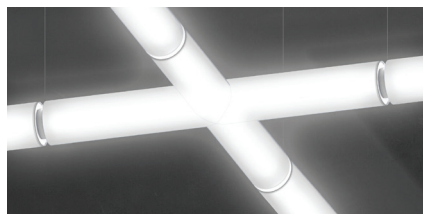
Curved Bends



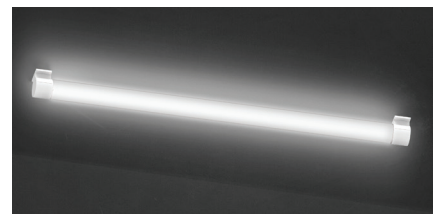
T-Welds



L-Welds



X-Welds



Surface Mount

## AVAILABLE FINISH OPTIONS



SPECIFICATION (1/2)

**10 day quick-ship** (see following pages for quick-ship information, limitations and requirements)

Fixture	Diameter	Length	Mounting	Driver Location	Voltage
<b>22-CLM</b>	<input type="text"/>	<input type="text"/>	<input type="text"/>	<input type="text"/>	<b>UNV</b>
<b>22-CLM</b> HPC3	<b>4D</b> 4" <b>6D</b> 6" <i>Wall/Ceiling Supported</i> 2", 4", 6" <b>8D</b> 8" <b>10D</b> 10" <i>Floor Mount</i> 8", 10"	<b>48L</b> 48" <b>60L</b> 60" <b>72L</b> 72" <b>84L</b> 84" <b>96L</b> 96" <b>CUSL</b> Custom length <i>Consult factory</i>	<b>SFM</b> Wall/Ceiling Support 2", 4", 6" <b>FLM</b> Floor Mount 8", 10"	<b>SCDL</b> Surface Canopy <b>RDDL</b> Remote Driver <b>ADDL</b> ACT Remote Driver <b>RCDL</b> Recessed Canopy	<b>UNV</b> 120/277 Volts <i>Consult factory for other voltages</i>

Canopy Finish	End Cap/Base Finish	Power Cable Finish	Source
<input type="text"/>	<input type="text"/>	<input type="text"/>	<input type="text"/>
<b>WCF</b> White <b>BCF</b> Black <b>SCF</b> Silver <b>RAL</b> Custom <i>RAL North America; Consult factory</i>	<b>WEC</b> White <b>BEC</b> Black <b>SEC</b> Silver <b>RAL</b> Custom <i>RAL North America; Consult factory</i>	<b>WPC</b> White <b>BPC</b> Black <b>XPC</b> None <i>for use with "SM" Surface Mount only</i>	<b>0800LM</b> Standard 800 lm/ft (8W/ft) <i>standard for 4"</i> <b>1200LM</b> Standard 1200 lm/ft (12W/ft) <i>standard for 6"</i> <b>CUSLM</b> Custom Lumen Output* 600lm/ft - 4800lm/ft; Consult factory for outputs outside of this range  <i>* Maximum output varies by diameter</i> 4" - 1600 lm/ft (16W/ft) 6" - 1600 lm/ft (16W/ft)

Color Temperature	Color Rendering	Dimming Driver	Options Continued on Next Page
<input type="text"/>	<b>90CRI</b>	<input type="text"/>	<input type="text"/>
<b>2700K</b> 2700K <b>3000K</b> 3000K <b>3500K</b> 3500K <b>4000K</b> 4000K <b>5000K</b> 5000K	<b>2765K</b> Tunable White* 2700K - 6500K <b>RGB30</b> RGBW* RGB + 3000K <b>3000FS</b> Full Spectrum 3000K <b>3500FS</b> Full Spectrum 3500K <b>CUSK</b> Custom CT 2400K - 6000K; * Only available in 6", 8", and 10" * Consult factory for CT options in this column Full spectrum .95 reduced output contact factory	<b>90CRI</b> 90+ CRI	<b>S010V10</b> Standard 0-10V, 10% <b>S010V01</b> Standard 0-10V, 1% <b>E010V01</b> eldoLED 0-10V, 1% <b>EDALI01</b> eldoLED DALI, 0.1% <b>EDMX01</b> eldoLED DMX, 0.1% <b>LECO01</b> Lutron EcoSense, 1% <b>MOLPOE</b> Molex POE Node <b>CUSDD</b> Other Driver Options Consult factory for availability of other driver options

## SPECIFICATION (2/2)

 **10 day quick-ship** (see following pages for quick-ship information, limitations and requirements)

### Modular Configuration\*

### Acoustics

**NCMC** No Configuration  
**CUSMC** Custom Configuration  
*Drawing Required. Consult factory*

\* See following pages for corners and configuration options

**NOAC** No Acoustics  
**ADAC** Add Acoustics  
*Consult factory for availability*

## WRITTEN SPECIFICATIONS

### LED System

- LED Circuitry is applied to minimum 0.0625" thick aluminum extruded cores for excellent heat management. Fixture uses **Four-Core and Six-Core Technology** to provide even illumination in all directions.
- LEDs are 90+CRI, 3 SDCM.
- 4 foot fixture performance at 3000K 90CRI, 6896lms, 61.44 Watts, 112 LPW Delivered

### Construction

- Diffuser: 0.120" Extruded PETG (polyethylene terephthalate glycol-modified); which is a variant of PET used in water bottles everywhere. Designed to be used in environments where high levels of disinfectant products are used. It is also has a much higher impact resistance than Acrylic and is available up to 20 feet in single lengths.
  - Barbican uses a proprietary diffusion formula PETG which in conjunction with the LED system provides excellent efficiencies of up to 115 lumens per watt at 3000K 90+ CRI.
- Metal construction to be aluminum minimum 0.0625" thickness. Fasteners are to be stainless steel.
- Cable grippers are nickel plated solid brass and stainless steel. Cables are 1/16" stainless steel.
- Canopies and driver housings are minimum 0.0625" aluminum.

### Mounting

- Surface cable mounts are nickel plated solid brass and are supplied with escutcheon plates for through surface power cables. Power cables are low voltage from the canopy/remote mounted drivers.
- Drivers:** All drivers are mounted remote from the fixture. Standard drivers include 0-10V 10% dimming 120/277V with Power Factor of >.9. Barbican works with most Control and Driver manufacturers including POE and can easily modify the driver housings for special control gear. Fixtures over 96W may require more than one driver per fixture.
- Emergency fixtures are supplied with leads and KO for UL924 relays (by others). Battery back up will usually only drive one or two of the cores in larger fixtures to maintain the 90 minute requirement. Maximum distance driver to fixture 15 feet.
- Labels:** ETL US and Canada, CE Europe and Middle East (Dry, Damp indoor use only)
- Finish:** Polyester Powder Coated standard, Hand Brushed Aluminum
- Lumen Maintenance:** Reported L90 > 10,000hrs, Calculated > 60,000hrs (TM-21)
- Warranty:** 5 years limited at 25 Celsius. Contact Barbican for additional information.

## LABELS



ETL/CE  
Listed



Dry/Damp  
Rated



5 Years  
Warranty



Power Over  
Ethernet



Tunable  
White

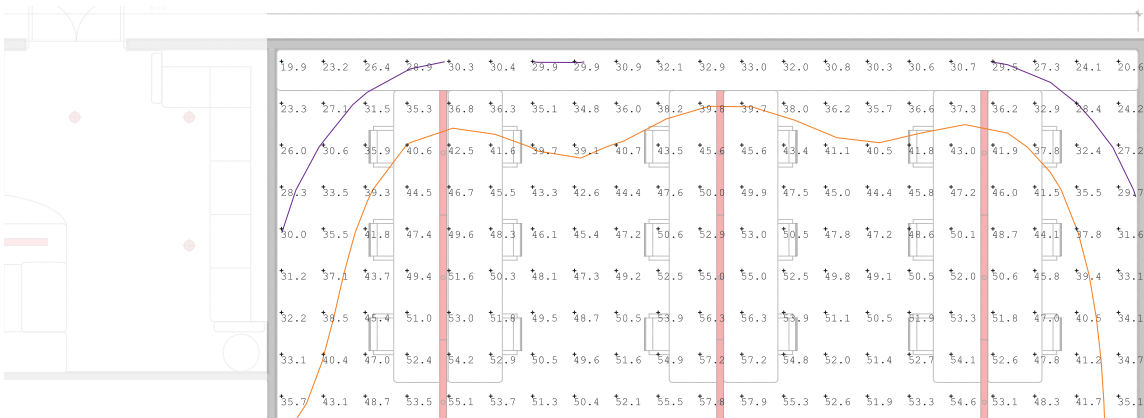
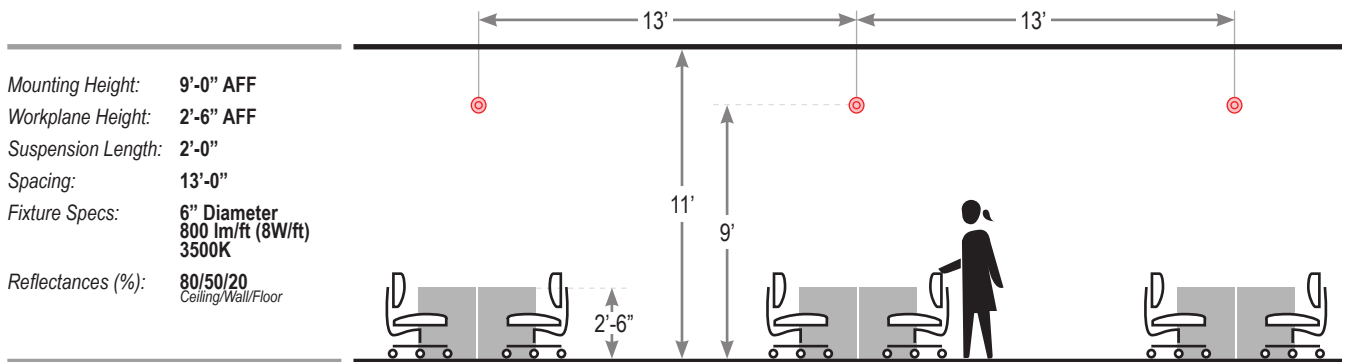
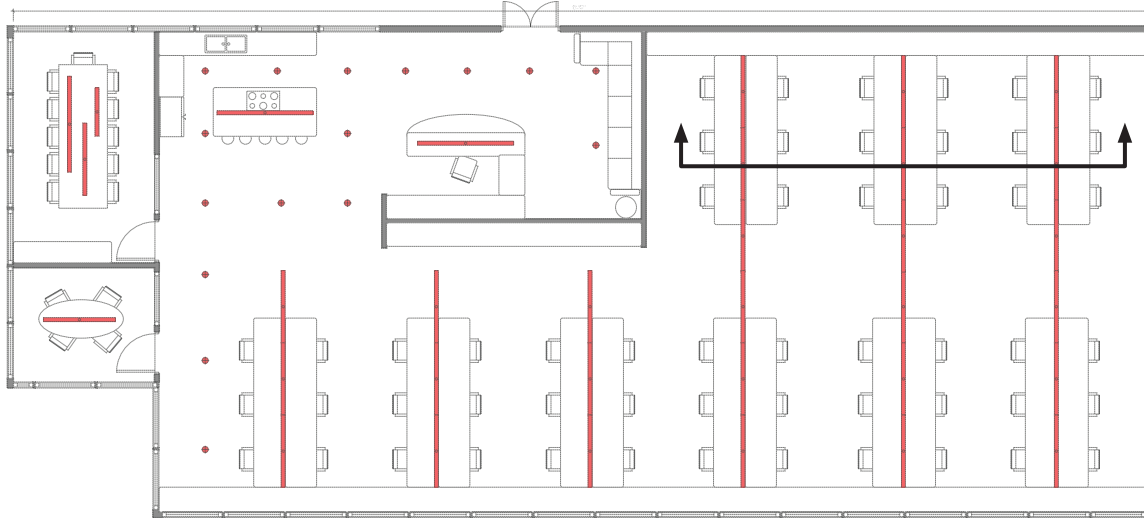


RGBW  
Color Tuning

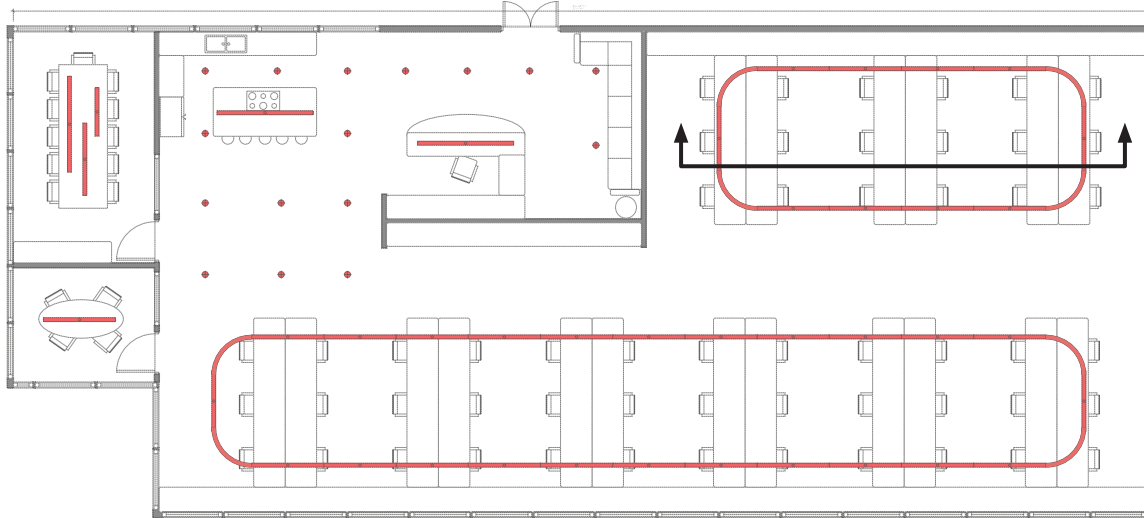


Full  
Spectrum

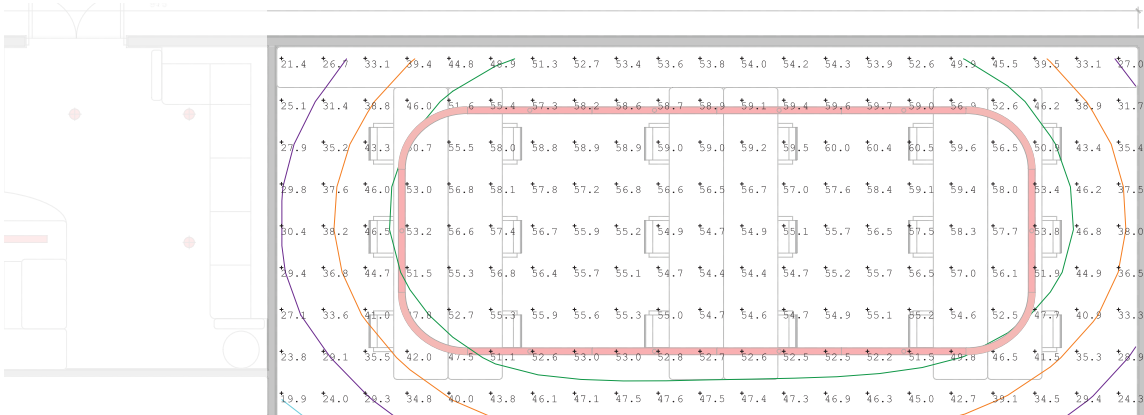
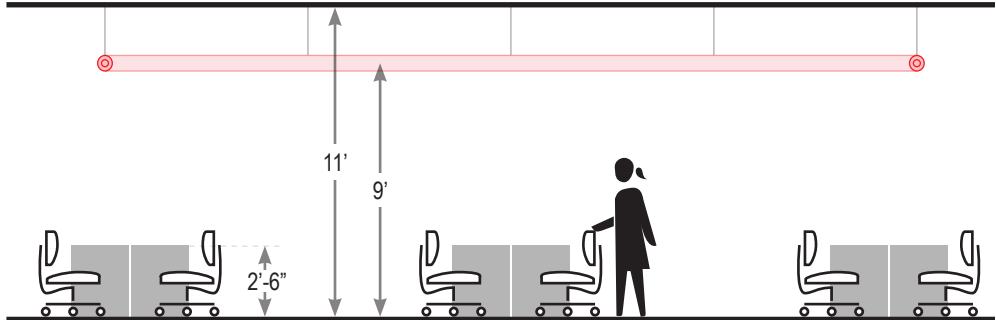
## EXAMPLE LAYOUT (1/2)



## EXAMPLE LAYOUT (1/2)



- Mounting Height: **9'-0" AFF**
- Workplane Height: **2'-6" AFF**
- Suspension Length: **2'-0"**
- Fixture Scale: **12'-0" x 30'-0"**
- Fixture Specs: **6" Diameter  
700 lm/ft (7W/ft)  
3500K**
- Reflectances (%): **80/50/20  
Ceiling/Wall/Floor**



## APPLICATIONS



Lighting Designer: **AE Design**; Architect: **IA Interior Architects**; Photographer: **Madeline J Studios**

### **International Co-Working Space**

An international co-working client required a 6" HPC<sup>3</sup> with custom outputs as well as CE/ETL listed versions for installations worldwide. Special swappable end-caps were developed with the client's design team to provide a distinct color-matched branding in all locations.



APPLICATIONS



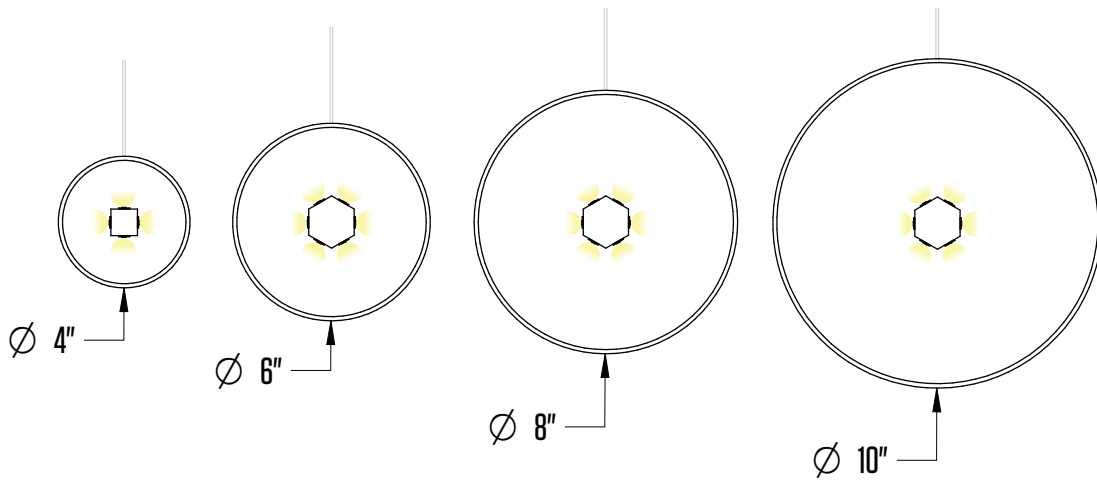
*Designer: Andrew Cook; Photographer: Ric Marder Imagery*

### **Midtown NYC Conference Space**

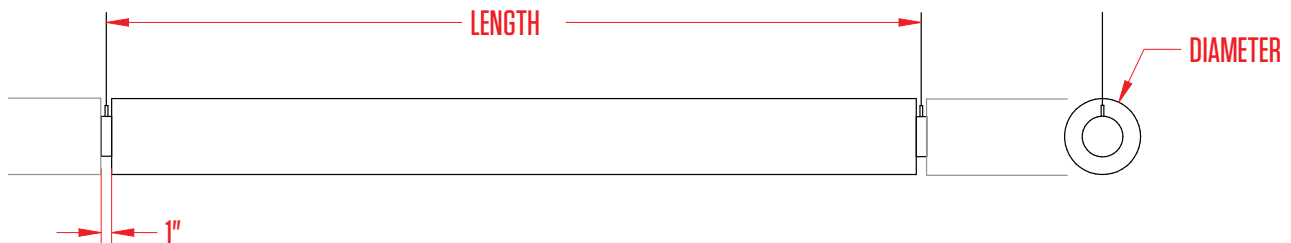
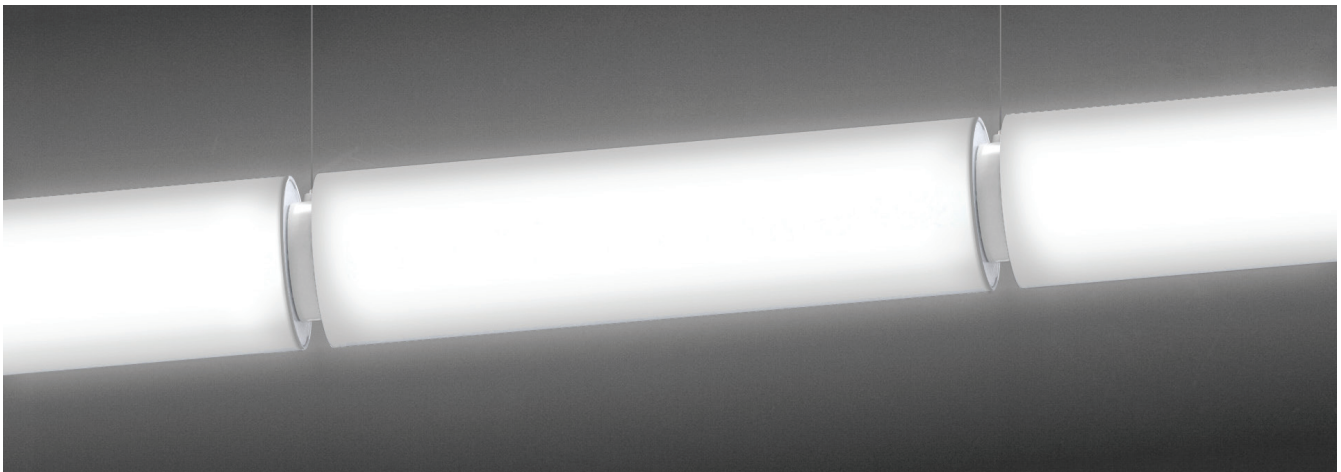
This Midtown New York City office used the modular nature of the **HPC<sup>3</sup>** Curve as well as the on-site rotation to create this impactful and unique center piece for their conference room. This installation uses all standard HPC<sup>3</sup> Curve sections.

## FIXTURE CONFIGURATIONS

### Cross Sections



### Straight Sections



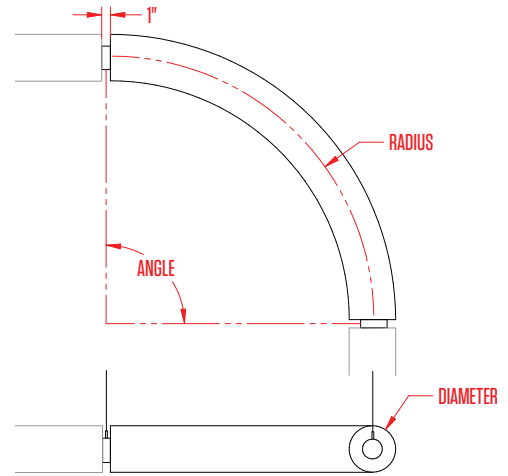


## AVAILABLE CONFIGURATIONS

### Curved Bends



Click [here](#) for Stand Alone Curved Bend specifications and options.

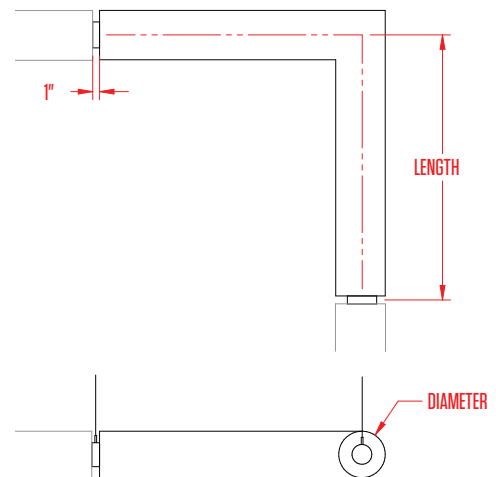


Radius Options: 24", 36", 48"  
 Angle Options: 45°, 90°, custom  
 Diameter Options: 4", 6"

### L-Weld Corner



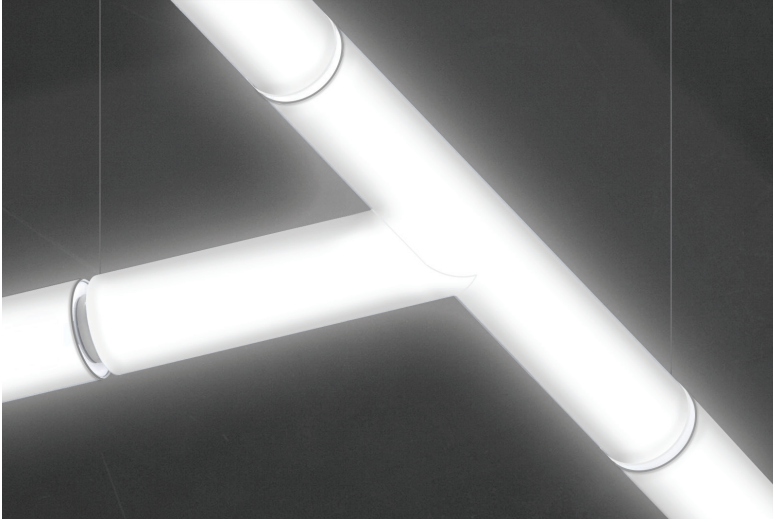
Click [here](#) for Stand Alone L-Weld specifications and options.



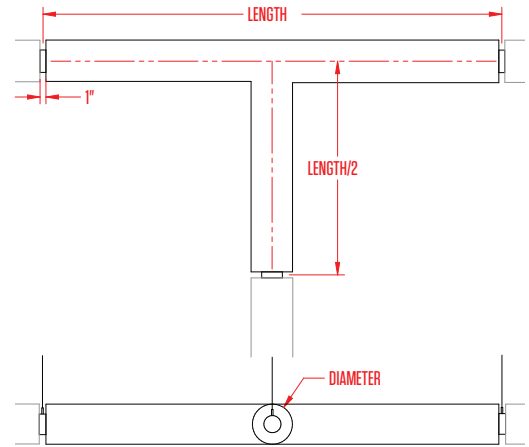
Length Options: 24", custom  
 Angle Options: 45°, 135°, custom  
 Diameter Options: 4", 6", 8", 10"

AVAILABLE CONFIGURATIONS (cont.)

**T-Weld Corner**

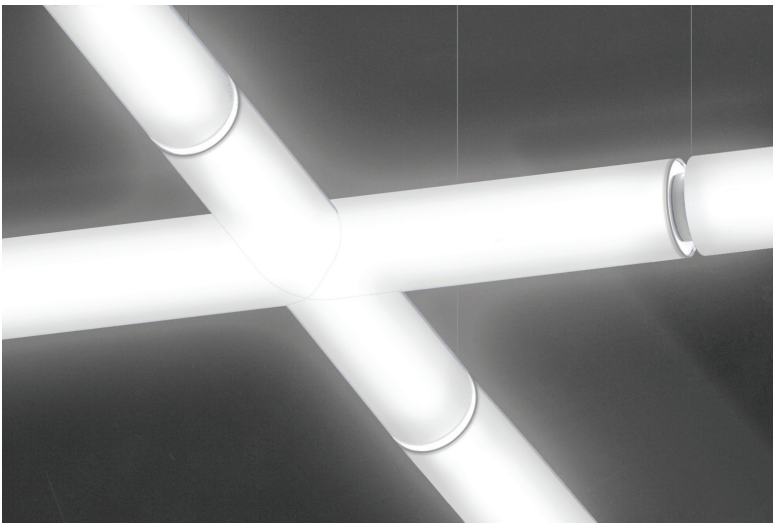


Click [here](#) for Stand Alone T-Weld specifications and options.

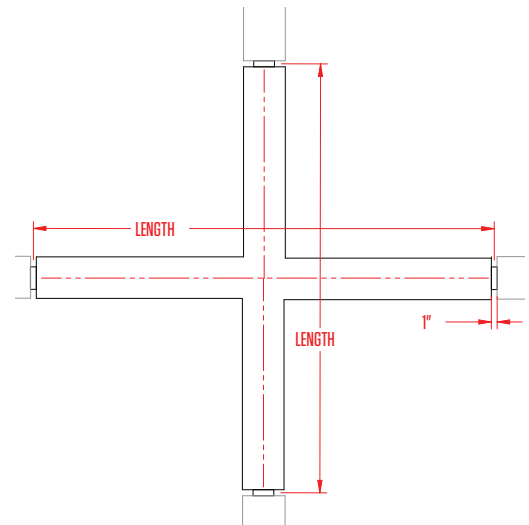


Length 1 Options: **48", custom**  
 Length 2 Options: **24", custom**  
 Diameter Options: **4", 6", 8", 10"**

**X-Weld Junction**



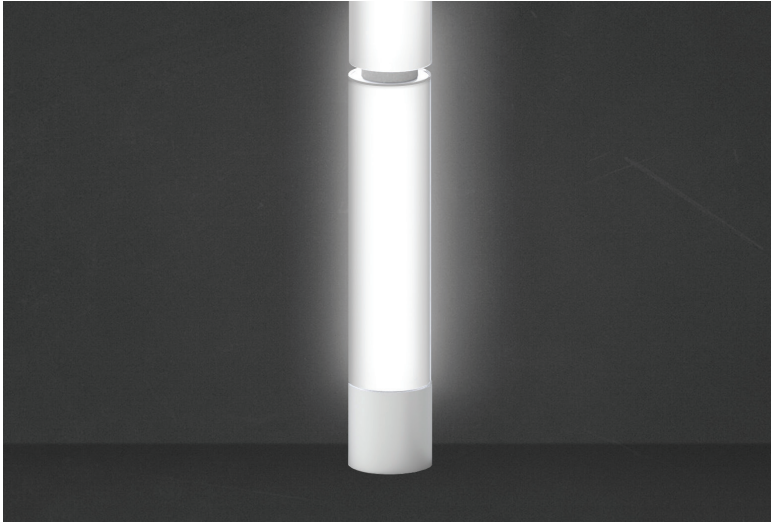
Click [here](#) for Stand Alone X-Weld specifications and options.



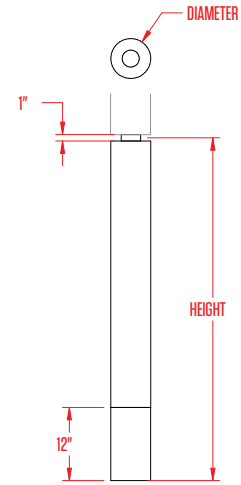
Length Options: **48", custom**  
 Diameter Options: **4", 6", 8", 10"**

## AVAILABLE CONFIGURATIONS (cont.)

### Column



Click [here](#) for Stand Alone Column specifications and options.

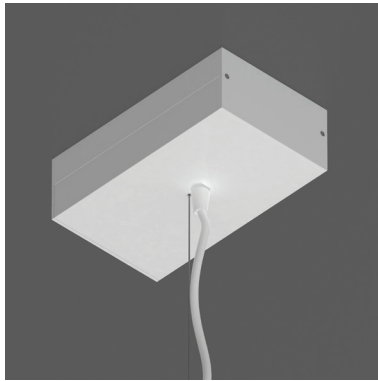


Height Options: **48", 60", 72", 84", 96", custom**  
Diameter Options: **4", 6" - Wall/Ceiling Supported**  
**8", 10" - Floor Mount**

*Consult Factory for other options*

SPECIFICATION DETAILS (cont.)

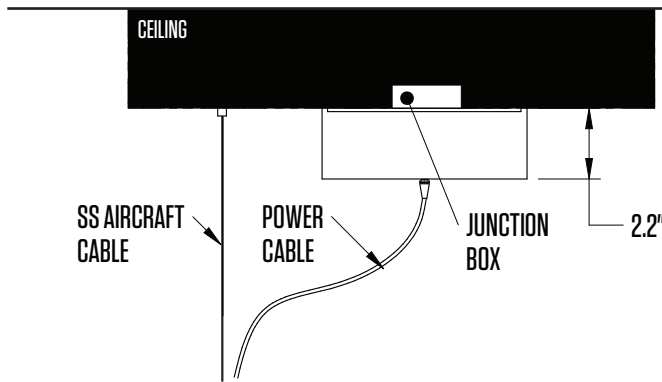
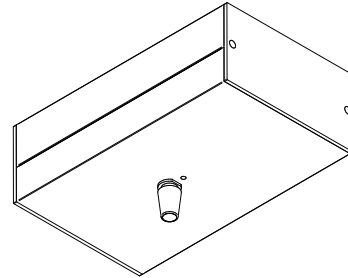
**Surface Canopy  
(SC)**



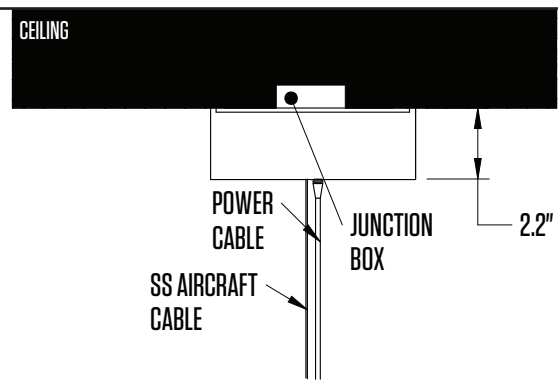
White Power Cord



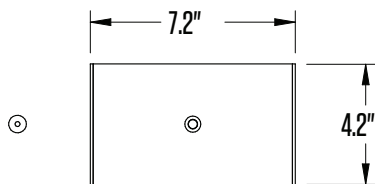
Black Power Cord



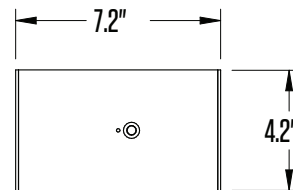
*Offset Surface Ceiling Location Mounting Side View*



*Surface Ceiling Location Mounting Side View*



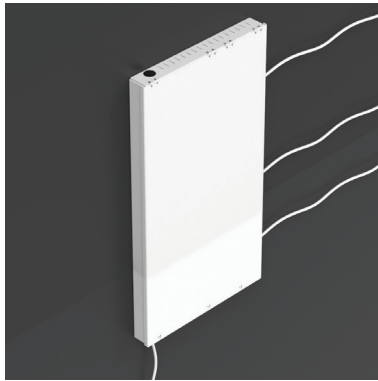
*Offset Surface Ceiling Location Mounting Bottom View*



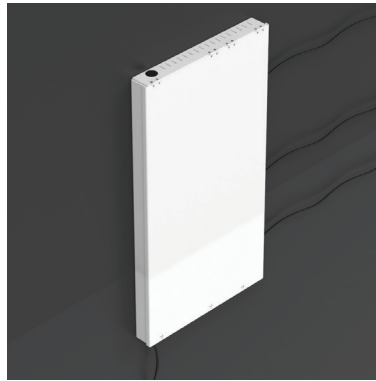
*Surface Ceiling Location Mounting Bottom View*

SPECIFICATION DETAILS (cont.)

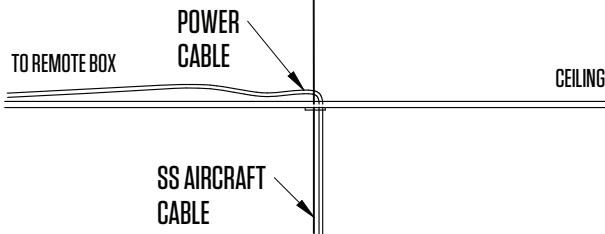
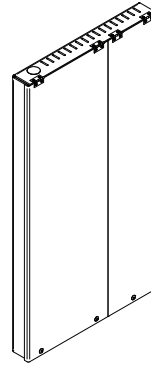
Remote Driver (RD)



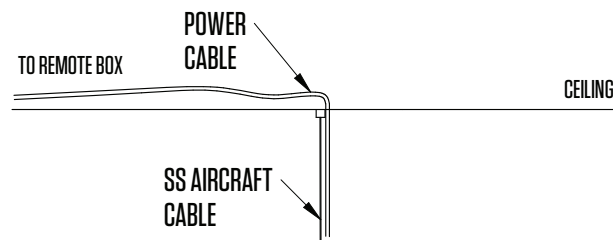
White Power Cord



Black Power Cord



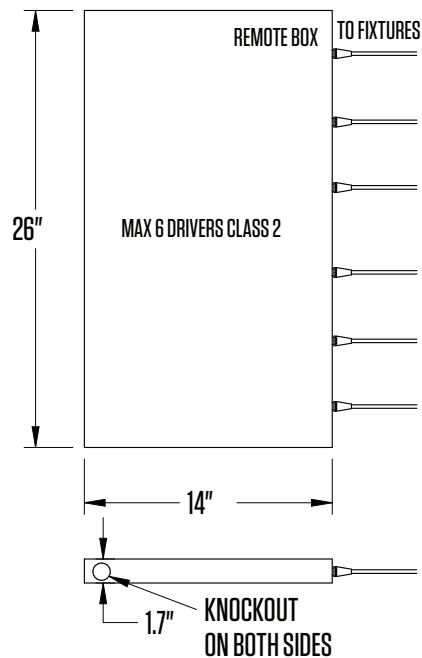
*Acoustic Ceiling Power Supply Box Mounting Side View*



*Solid Ceiling Power Supply Box Mounting Side View*



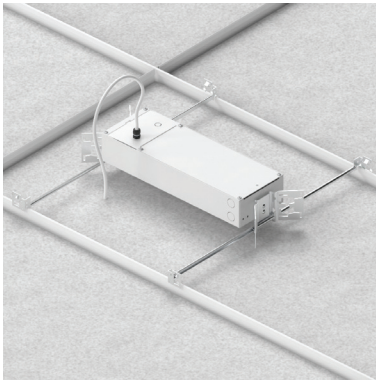
*Ceiling Finishing Plate*



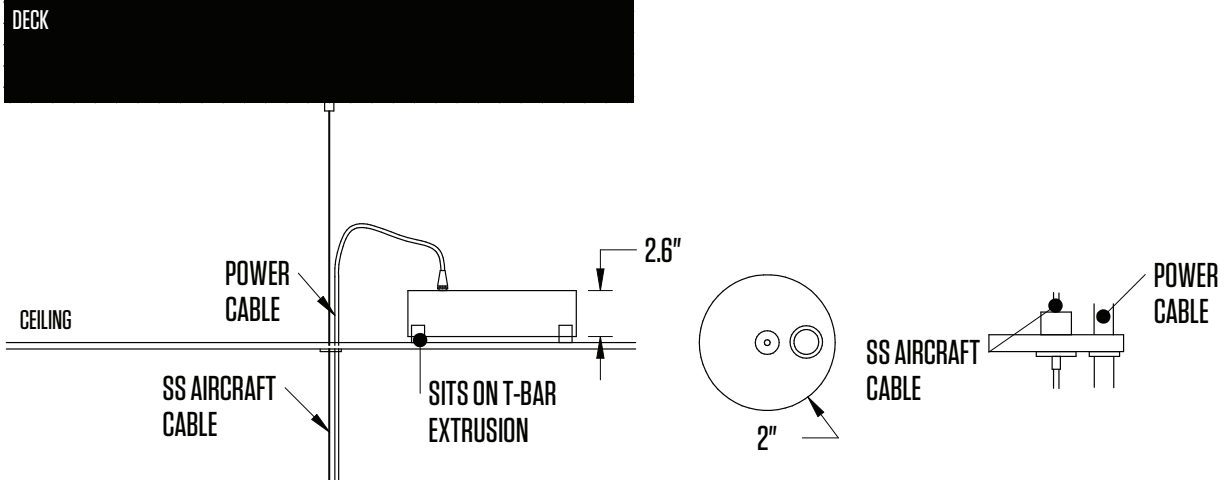
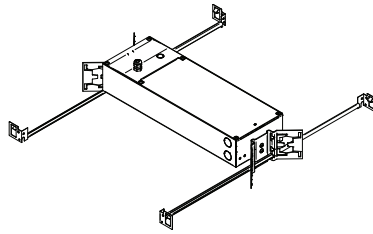
*Power Supply Box Dimensions*

SPECIFICATION DETAILS (cont.)

**ACT Remote  
Driver (AD)**

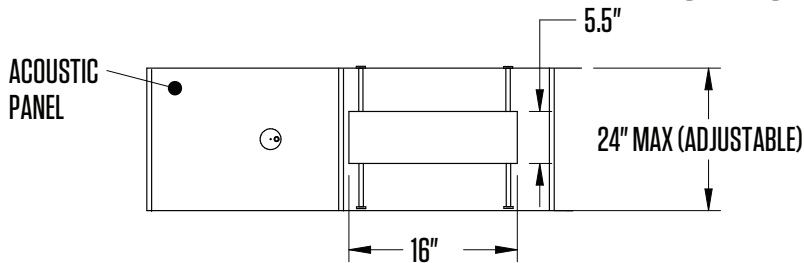


**Driver Housing**



*Above Ceiling Location Mounting Side View*

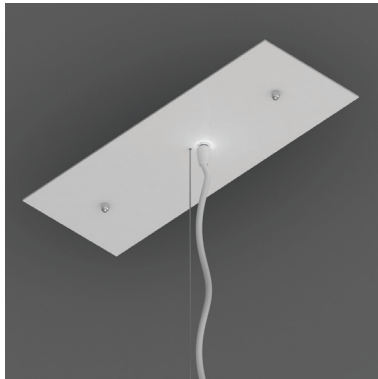
*Ceiling Finishing Plate*



*Above Ceiling Location Mounting Top View*

## SPECIFICATION DETAILS (cont.)

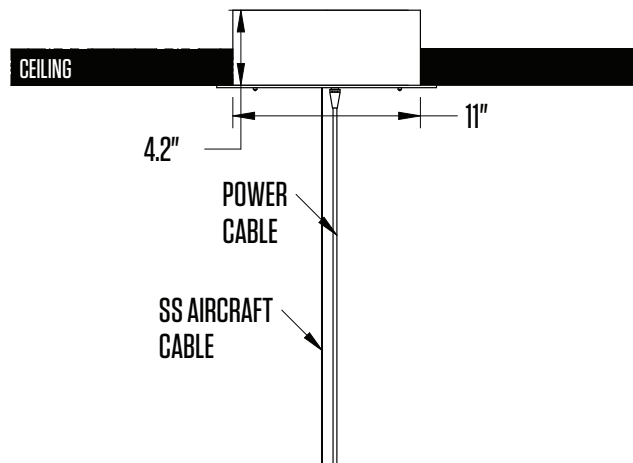
### Recessed Canopy (RC)



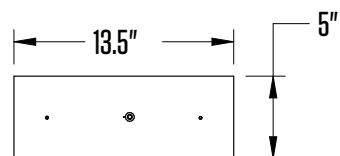
White Power Cord



Black Power Cord



*Flush Ceiling Location Mounting Side View*



*Flush Ceiling Location Mounting Bottom View*

## QUICK SHIP

 **10 day quick-ship**

Barbican's Quick Ship program offers a **two-week (10 business day) lead time** for specific standard fixtures with select options. The standard fixtures in this program include HPC<sup>3</sup> Straight, Drum, Halo and HPC. See spec sheet and website for available options.

HPC3 Straight is available in quantities **up to 50 fixtures per order**. Quick ship date will be confirmed at time of quotation if the order is placed within 5 working days. The order will be acknowledged within 24 hours of receipt of a clean PO. **A clean PO must include the correct catalog numbers, quantities and "Quick Ship" clearly identified.**

Lead time will be 10 business days from the acknowledgment date.

Larger quantities and additional options may be possible.

10 day lead time does not include factory Summer, Christmas or Government mandated shutdowns, statutory holidays (Canadian) or weekends. Change orders will affect lead time and may incur additional costs. Please consult factory.

Barbican cannot be held responsible for any delivery delays caused by the freight company after the product has left our facility. The freight company is solely responsible for any delays. Barbican will accommodate the customer's own freight company on request.

Note that Barbican may be able to ship other products in an expedited manner. Please consult Barbican for lead times.