

The Fraser fixture is a variation of our Drum luminaire, one of the most popular and versatile options from Barbican.

Fraser helps to add some silence as well as aesthetic warmth, texture, and presence to a space combining the best elements of architectural and decorative lighting into a single luminaire.

Available in both lit and unlit versions.

AVAILABLE CONFIGURATIONS



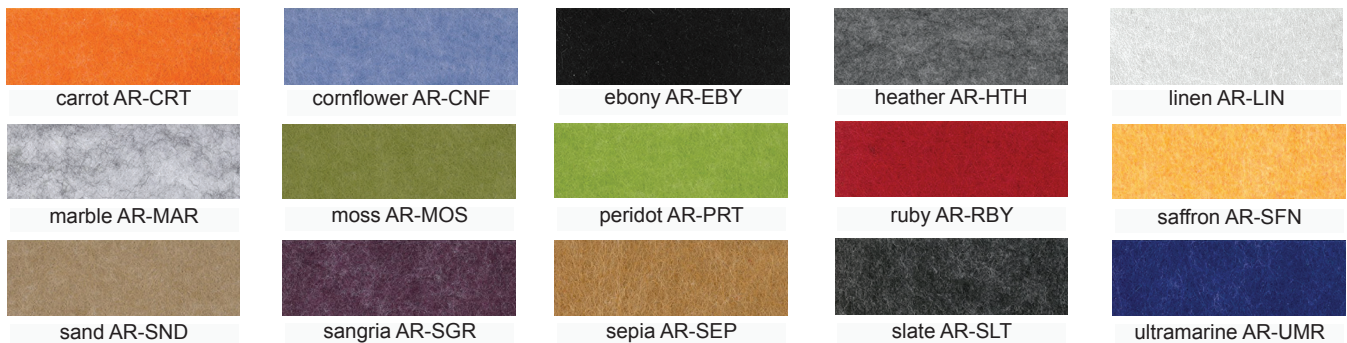
Lit (drum 16-104)



Unlit

AVAILABLE FINISH OPTIONS

Acoustic



Printed AR also available



SPECIFICATION

Fixture	Type	Diameter	Height	Acoustic Material	Mounting
ARF-110					
ARF-110 Fraser	L Lit U Unlit	30D 30" 36D 36" 42D 42" 48D 48" 54D 54" 60D 60"	16H 16" 20H 20"	AR-CRT Carrot AR-CNF Cornflower AR-EBY Ebony AR-HTH Heather AR-LIN Linen AR-MAR Marble AR-MOS Moss AR-PRT Peridot AR-RBY Ruby AR-SFN Saffron AR-SND Sand AR-SGR Sangria AR-SEP Sepia AR-SLT Slate AR-UMR Ultramarine	ACM Aircraft Cable * Standard length 120" STM Stem Mount Standard length 48" CUSM Custom Consult factory Length is field adjustable. * Remote with escutcheons contact factory for maximum cable lengths

LIGHTING SPECIFICATION Complete section below for 'L' Lit Fixture types.

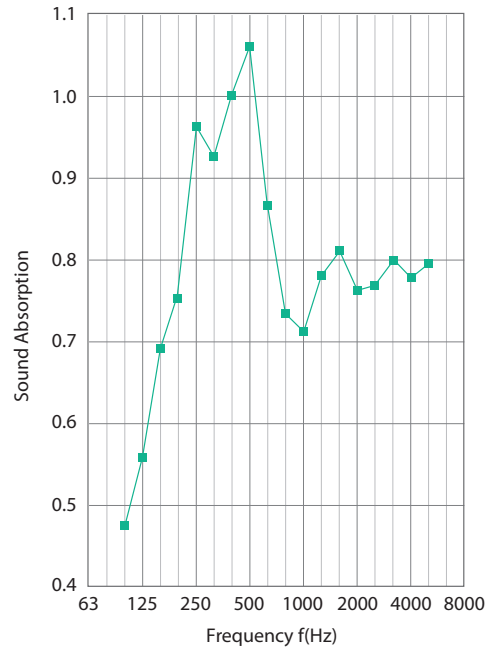
Voltage	Power Cable Finish	Stem and/or Canopy Finish	Delivered Lumens
UNV			
UNV 120/277 Volts <small>Consult factory for other voltages</small>	WPC White BPC Black CUSPC Custom <small>Consult factory</small>	WCF White BCF Black ACF Brushed Aluminum RAL Custom <small>RAL North America; Consult factory</small>	1425LM - 15W (all sizes) 2375LM - 25W (all sizes) 3800LM - 40W (all sizes) 5700LM - 60W (all sizes) 7600LM - 80W (42" and larger D) 9500LM - 100W (42" and larger D) --- LM Custom Lumen Output* <small>Maximum Output varies by diameter Consult factory for outputs outside of this range</small>

Color Temperature	Color Rendering	Driver Location	Dimming Driver
	90		
2700K 2700K 3000K 3000K 3500K 3500K 4000K 4000K 5000K 5000K 2765K Tunable White* <small>2700K - 6500K</small> RGB30 RGBW* <small>RGB + 3000K</small> 3000FS Full Spectrum <small>3000K</small> 3500FS Full Spectrum <small>3500K</small> CUSK Custom CT <small>2400K - 6000K; Consult factory</small> <small>Full spectrum .95 reduced output contact factory</small>	90 90+ CRI	SCDL Surface Canopy CUSDL Custom Driver <small>Consult factory for options.</small>	S010V10 Standard 0-10V, 10% S010V01 Standard 0-10V, 1% E010V01 eldoLED 0-10V, 1% EDALI01 eldoLED DALI, 0.1% EDMX01 eldoLED DMX, 0.1% LECO01 Lutron Ecosystem, 1% SOFTB, (Soft-on, Fade-to-Black) LECOTW Lutron Ecosystem, 1%, Tunable White - T series MOLPOE Molex POE Node OTHERD Other Driver Options <small>Consult factory for availability of other driver options</small>

NOISE REDUCTION COEFFICIENT

- The test was carried out by external laboratory (SGS) assessed as competent.
- TEST METHOD: EN ISO 354:2003 Acoustic Measurement of sound absorption in a reverberation room. Tested with back airspace of 200mm (7.87”).
- TEST RESULT: Noise Reduction Coefficient: NRC = 0.85

f Hz	α_s
50	/
63	/
80	/
100	0.47
125	0.56
160	0.69
200	0.75
250	0.96
315	0.92
400	1.00
500	1.06
630	0.87
800	0.73
1000	0.71
1250	0.78
1600	0.81
2000	0.76
2500	0.77
3150	0.80
4000	0.78
5000	0.79
NRC	0.85



WRITTEN SPECIFICATIONS

LED System

- LED Circuitry is applied to minimum 0.0625” thick aluminum modules for excellent heat management. Modules are removeable for maintenance and are 90% recyclable.
- LEDs are 90+CRI, 3 SDCM.
- 36” x 8” fixture performance at 3000K 90CRI, 6896lms, 61.44 Watts, 112 LPW Delivered

Construction

- Acoustic felt: Acoustic baffle is made from 100% PET (polyethylene terephthalate) fabric, which is a rigid, dimensionally strong, and stable material that is water and moisture resistant. Baffle is completely recyclable and contains a minimum of 30% post-consumer recycled content. Thickness of base material, 9mm.
- Independent certifications: A flame spread index (FSI) and smoke-development index (SDI) test was carried out by external laboratory (SGS) based on ASTM E84-2020 Standard Test Method for Surface Burning Characteristics of Building Materials. Test Results - FSI-15; SDI 80; ATSM E84 Class A
- Metal construction to be aluminum minimum 0.0625” thickness. Fasteners are to be stainless steel.

- Cable grippers are nickel plated solid brass and stainless steel. Cables are 1/16” stainless steel.
- Canopies and driver housings are minimum 0.0625” aluminum.
- Barbican’s Drum fixtures comes standard with the shade and light engine fully enclosed to protect from ingress of dirt, dust and other site conditions.

Mounting

- Power cables are low voltage from the canopy drivers.
- **Drivers:** All drivers are mounted in the canopy. Standard drivers include 0-10V 10% dimming 120/277V with Power Factor of >.9. Barbican works with most Control and Driver manufacturers including POE and can easily modify the driver housings for special control gear. Fixtures over 96W may require more than one driver per fixture.
- Emergency fixtures are supplied with leads and KO for UL924 relays (by others). Battery back up will usually only drive one or two of the cores in larger fixtures to maintain the 90 minute requirement. Maximum distance driver to fixture 15 feet.
- **Labels:** ETL US and Canada, CE Europe and Middle East (Dry, Damp indoor use only)
- **Finish:** Polyester Powder Coated standard, Hand Brushed Aluminum
- **Lumen Maintenance:** Reported L90 > 10,000hrs, Calculated > 60,000hrs (TM-21)
- **Warranty:** 5 years limited at 25 Celsius. Contact Barbican for additional information.

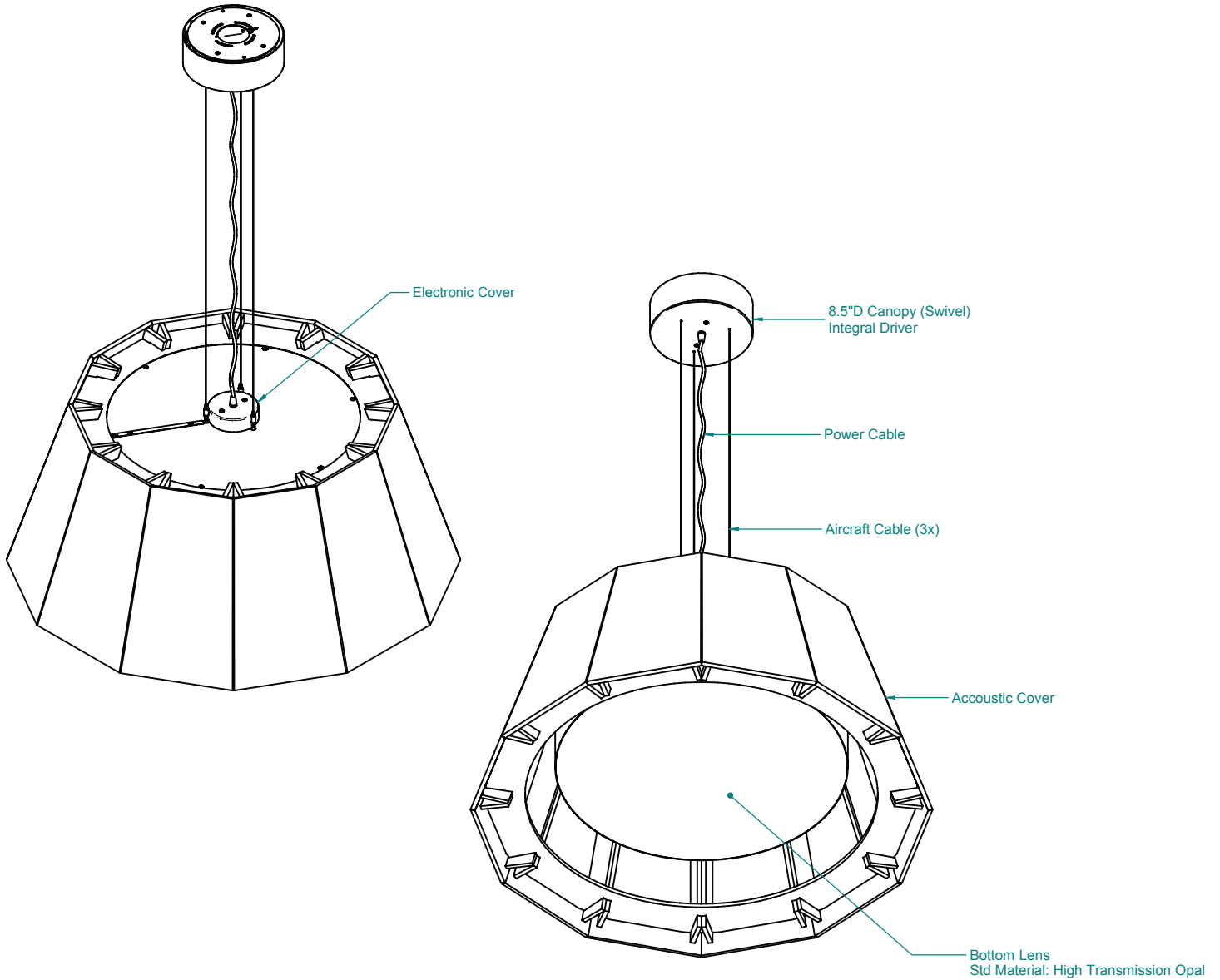
LABELS



APPLICATIONS



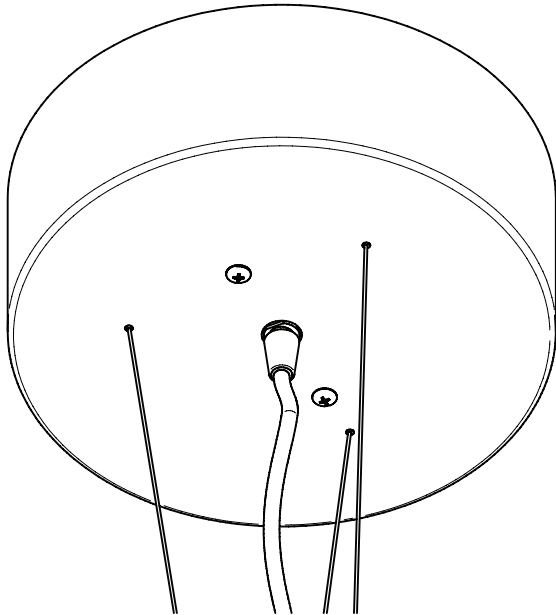
CONFIGURATION (lit)



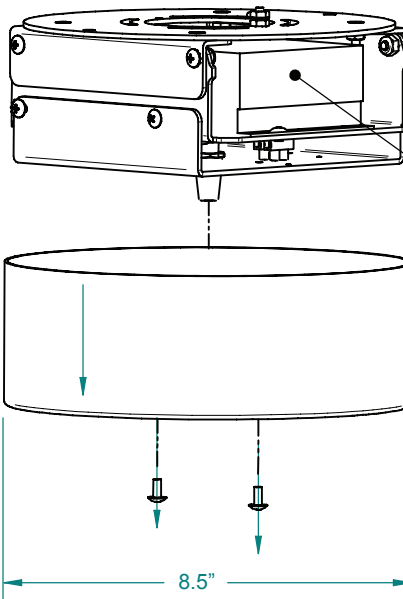
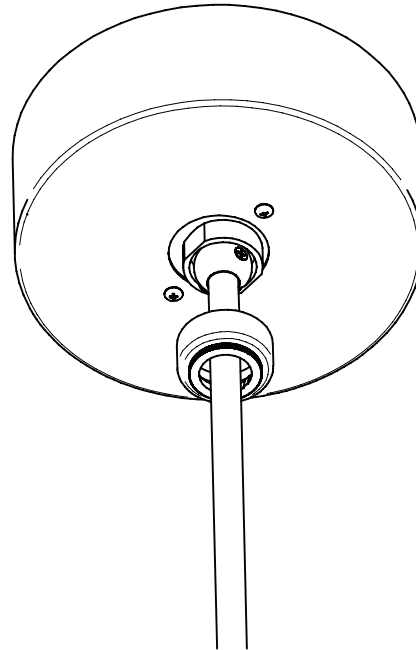
SPECIFICATION DETAILS (cont.)

**Surface Canopy
(SC)**

Aircraft Cable



Stem



Driver configuration may vary based on order