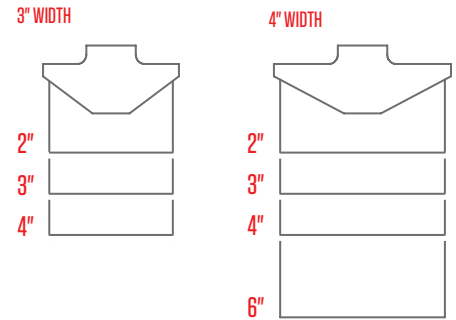




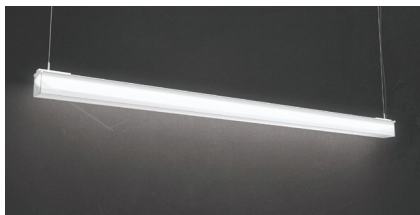
Barbican's FOM checks all the boxes for use in general lighting applications where performance, aesthetic, scale, design and budget are a concern. 2-Core LED technology provides excellent low-glare performance by delivering soft and even illumination on walls, and work surfaces while providing subtle up lighting to avoid the 'cave effect' of direct only fixtures.

The FOM system allows for many configurations to fit any space you have. Our unique hardware ensures your space feels considered and beautiful, while our industry leading quick ship program helps you have your fixtures on-site on-time.



Available in 2 width and 4 height configurations  
Custom sizes available.

AVAILABLE CONFIGURATIONS / ADAPTORS / ACCESSORIES



Single Pendant



Linear Array - Flush Seam



Linear Array - Connector Block



L-Corner



T-Corner



X-Corner

AVAILABLE FINISH OPTIONS



## SPECIFICATION (1/2)

**10 day quick-ship** (see following pages for quick-ship information, limitations and requirements)

Fixture	Width	Height	Length	Mounting	Driver Location
<b>25-01</b>	<input type="text"/>	<input type="text"/>	<input type="text"/>	<input type="text"/>	<input type="text"/>
<b>25-01</b> FOM Cube	<b>3W</b> 3" <b>4W</b> 4" <b>CUSW</b> Custom width <small>Consult factory</small>	<b>2H</b> 2" <b>3H</b> 3" <b>4H</b> 4" <b>6H</b> 6" * <b>CUSH</b> Custom height <small>Consult factory</small> <small>* 6"H only available on 4"W</small>	<b>12L</b> 12" <b>24L</b> 24" <b>36L</b> 36" <b>48L</b> 48" <b>60L</b> 60" <b>CUSL</b> Custom length to 120" in 1" increments. <small>Consult factory for oversized lengths</small>	<b>72L</b> 72" <b>84L</b> 84" <b>96L</b> 96" <b>108L</b> 108" <b>120L</b> 120" <b>ACM</b> Aircraft Cable <b>SFM</b> Surface Mount* <small>Consult factory for surface mounting</small> <small>* Requires "RD" Remote Driver option</small>	<b>SCDL</b> Surface Canopy <b>RDDL</b> Remote Driver <b>ADDL</b> ACT Remote Driver <b>RCDL</b> Recessed Canopy

Voltage	Canopy Finish	End Cap Finish	Power Cable Finish	Ceiling Finishing Plate	Source
<b>UNV</b>	<input type="text"/>	<b>WEC</b>	<input type="text"/>	<input type="text"/>	<input type="text"/>
<b>UNV</b> 120/277 Volts <small>Consult factory for other voltages</small>	<b>WCF</b> White <b>BCF</b> Black	<b>WEC</b> White	<b>WPC</b> White <b>BPC</b> Black	<b>NOFP</b> None <b>WFP</b> White <b>BFP</b> Black	<b>0440LM</b> Standard 440 lm/ft (4W/ft) <b>0660LM</b> Standard 660 lm/ft (6W/ft) <b>0880LM</b> Standard 880 lm/ft (8W/ft) <b>1320LM</b> Standard 1320 lm/ft (12W/ft) <b>1760LM</b> Standard 1760 lm/ft (16W/ft) <b>2200LM</b> Standard 2200 lm/ft (20W/ft) <b>CUSLM</b> Custom Lumen Output* <small>200lm/ft - 2200lm/ft; Consult factory for outputs outside of this range</small>

Color Temperature	Color Rendering	Dimming Driver	Options Continued on Next Page
<input type="text"/>	<b>90CRI</b>	<input type="text"/>	<input type="text"/>
<b>2700K</b> 2700K <b>3000K</b> 3000K <b>3500K</b> 3500K <b>4000K</b> 4000K <b>5000K</b> 5000K <b>2765K</b> Tunable White* <small>2700K - 6500K</small> <b>RGB30</b> RGBW* <small>RGB + 3000K</small> <b>3000FS</b> Full Spectrum <small>3000K</small> <b>3500FS</b> Full Spectrum <small>3500K</small> <b>CUSK</b> Custom CT <small>2400K - 6000K; Consult factory</small> <small>* Only available in 6", 8", and 10"</small>	<b>90CRI</b> 90+ CRI <small>Full Spectrum</small> <small>CRI is min 95+</small> <small>R1-R15</small> <small>CRI min 90+</small>	<b>S010V10</b> Standard 0-10V, 10% <b>S010V01</b> Standard 0-10V, 1% <b>E010V01</b> eldoLED 0-10V, 1% <b>EDALI01</b> eldoLED DALI, 0.1% <b>EDMX01</b> eldoLED DMX, 0.1% <b>LECO01</b> Lutron EcoSense, 1% <b>MOLPOE</b> Molex POE Node <b>CUSDD</b> Other Driver Options <small>Consult factory for availability of other driver options</small>	<input type="text"/>

## SPECIFICATION (2/2)

 **10 day quick-ship** (see following pages for quick-ship information, limitations and requirements)

### Modular Configuration\*

**NOMC** No Configuration  
**MC** Configuration

*Drawings Required.*

\* See following pages for corners and configuration options

### Configuration Adaptors\*

**NOCA** No Adaptor  
**LPGCA** Linear Purpose Gap  
**LNGCA** Linear No Gap  
**90LCA** 90° L-Corner\*\*  
**90TCA** 90° T-Corner\*\*  
**90XCA** 90° X-Corner\*\*  
**CUSCA** Custom Corner  
*Consult factory*

\* Drawings Required  
Finishes match End Cap Finish  
\*\* Quantity Required

### Environment

**NAE** Natatorium  
**DLE** Damp Location

*Advise factory of environment specific requirements*

## WRITTEN SPECIFICATIONS

### LED System

- LED Circuitry is applied to minimum 0.0625" thick aluminum extruded top plate for excellent heat management. Fixture uses **Two-Core Technology** to provide efficient, even illumination through 270 degrees.
- LEDs are 90+CRI, 3 SDCM.
- 4 foot fixture performance at 3000K 90CRI, 6896lms, 61.44 Watts, 112 LPW Delivered

### Construction

- Diffuser: 0.116" PETG (polyethylene terephthalate glycol-modified); which is a variant of PET used in water bottles everywhere. Designed to be used in environments where high levels of disinfectant products are used. It is also has a much higher impact resistance than Acrylic and is available up to 10 feet in single lengths.
  - Barbican uses a proprietary diffusion formula PETG which in conjunction with the LED system provides excellent efficiencies of up to 112 lumens per watt at 3000K 90+ CRI.
- Metal construction to be aluminum minimum 0.0625" thickness. Fasteners are to be stainless steel.
- Cable grippers are nickel plated solid brass and stainless steel. Cables are 1/16" stainless steel.
- Canopies and driver housings are minimum 0.0625" aluminum.

### Mounting

- Surface cable mounts are nickel plated solid brass and are supplied with escutcheon plates for through surface power cables. Power cables are low voltage from the canopy/remote mounted drivers.
- Drivers:** All drivers are mounted remote from the fixture. Standard drivers include 0-10V 10% dimming 120/277V with Power Factor of >0.9. Barbican works with most Control and Driver manufacturers including POE and can easily modify the driver housings for special control gear. Fixtures over 96W may require more than one driver per fixture. Maximum standard length of lead is 12', longer lengths available, contact factory.
- Emergency fixtures are supplied with leads and KO for UL924 relays (by others). Battery back up will usually only drive one of two cores in larger fixtures to maintain the 90 minute requirement. Maximum distance driver to fixture 15 feet.
- Labels:** ETL US and Canada, CE Europe and Middle East (Dry, Damp indoor use only)
- Finish:** Polyester Powder Coated standard, Hand Brushed Aluminum
- Lumen Maintenance:** Reported L90 > 10,000hrs, Calculated > 60,000hrs (TM-21)
- Warranty:** 5 years limited at 25 Celsius. Contact Barbican for additional information.

## LABELS



ETL/CE  
Listed



Dry/Damp  
Rated



5 Years  
5-Year  
Warranty



Power Over  
Ethernet



Tunable  
White

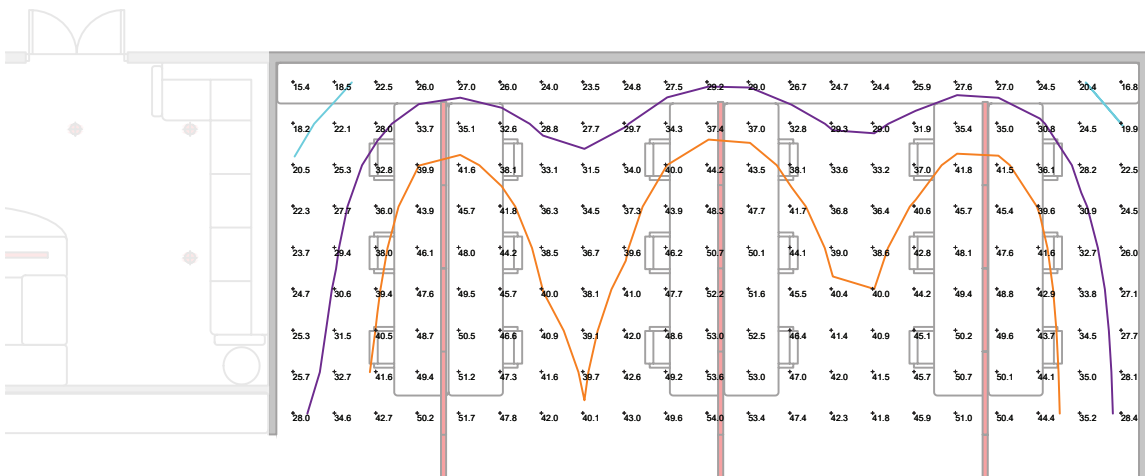
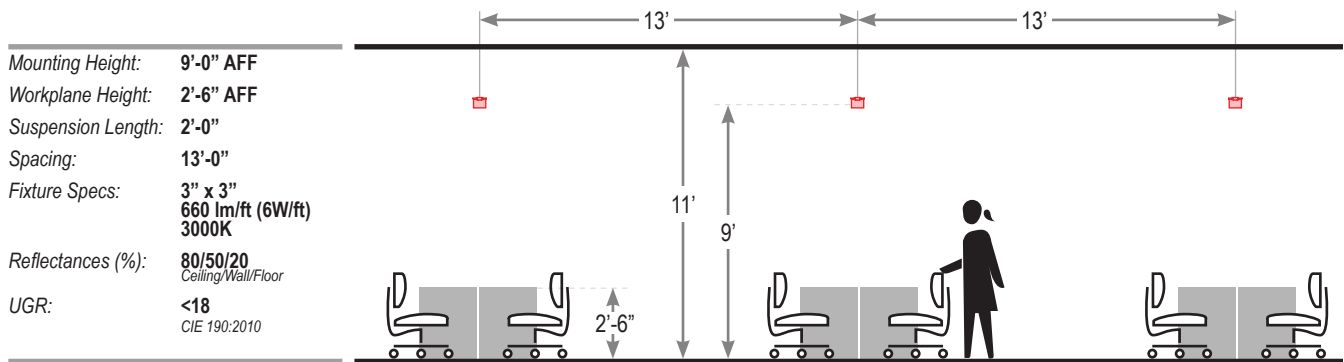
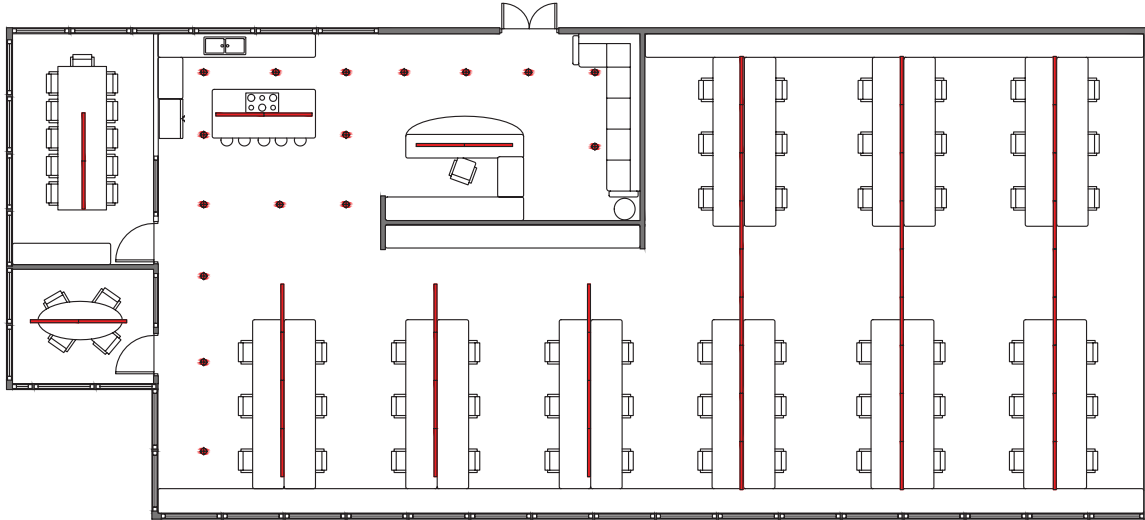


RGBW  
Color Tuning

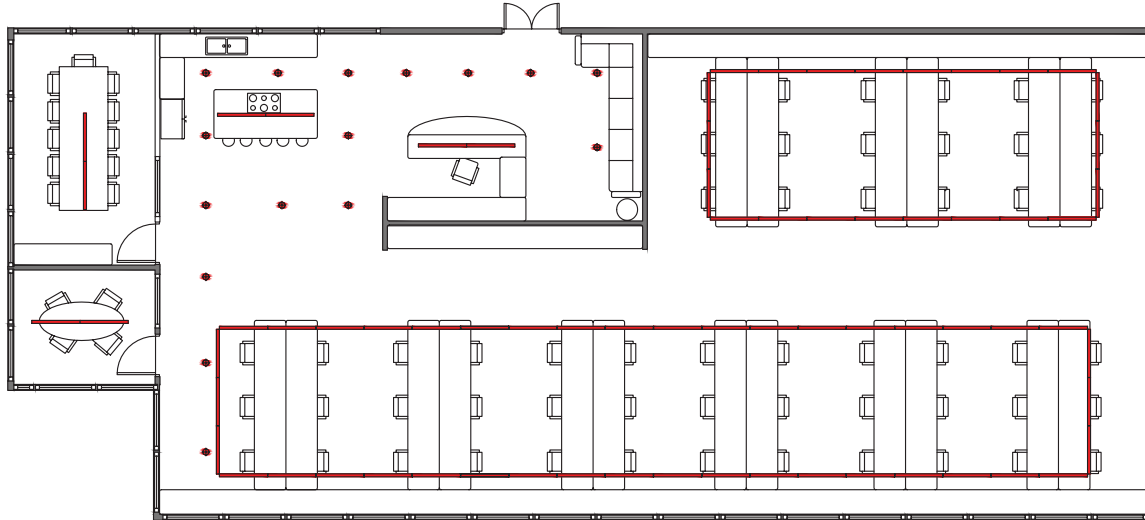


Full  
Spectrum

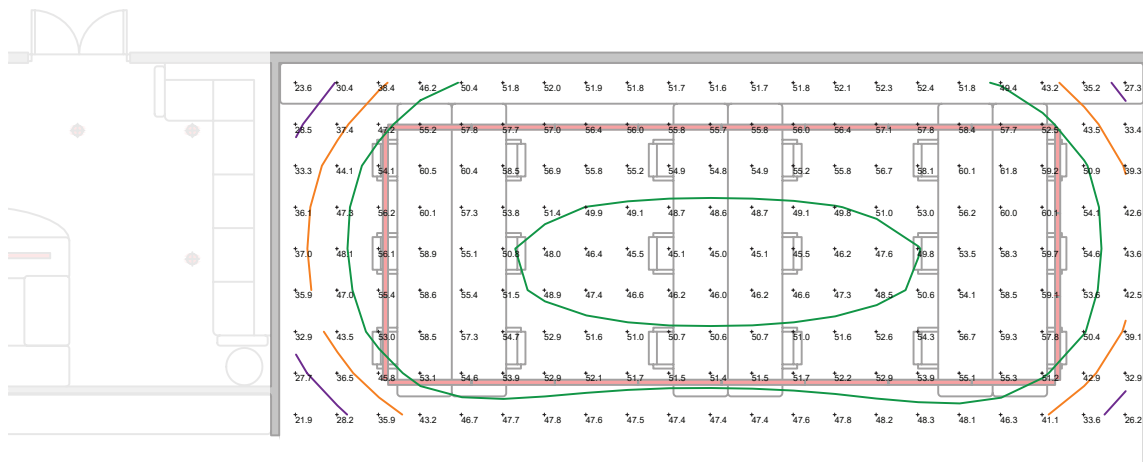
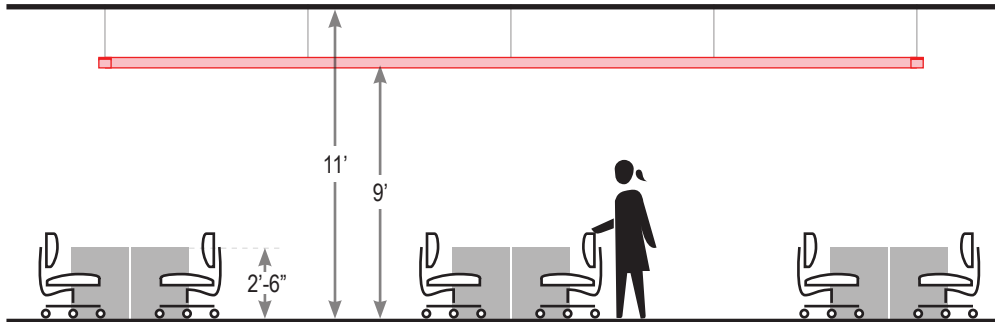
## EXAMPLE LAYOUT (1/2)



## EXAMPLE LAYOUT (1/2)



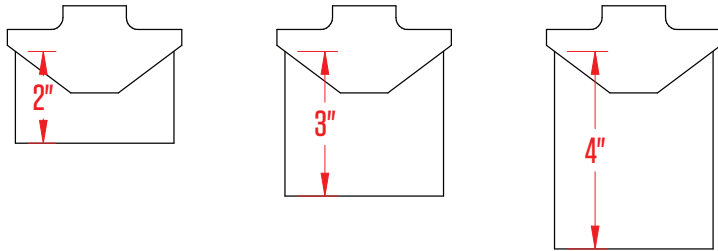
- Mounting Height: **9'-0" AFF**
- Workplane Height: **2'-6" AFF**
- Suspension Length: **2'-0"**
- Spacing: **13'-0"**
- Fixture Specs: **3" x 3"**  
**660 lm/ft (6W/ft)**  
**3000K**
- Reflectances (%): **80/50/20**  
Ceiling/Wall/Floor
- UGR: **<18**  
CIE 190:2010



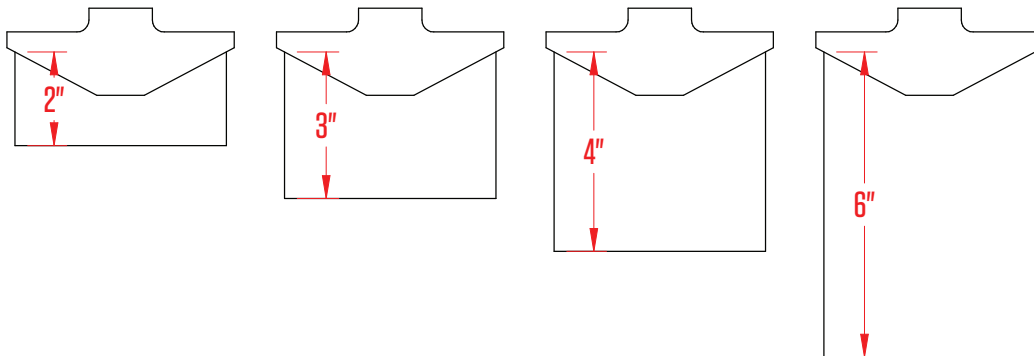
## FIXTURE CONFIGURATIONS

### Standard Cross Sections

3" WIDTH



4" WIDTH





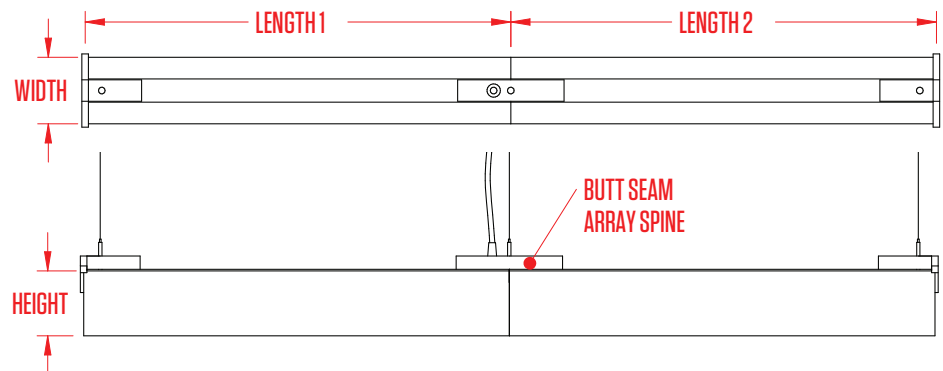
**Straight Sections**



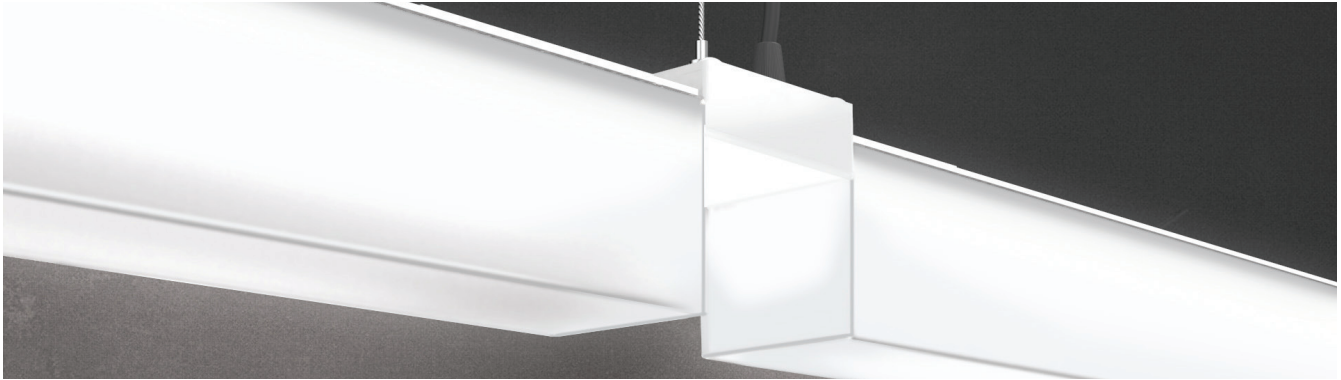
**Single Pendant**



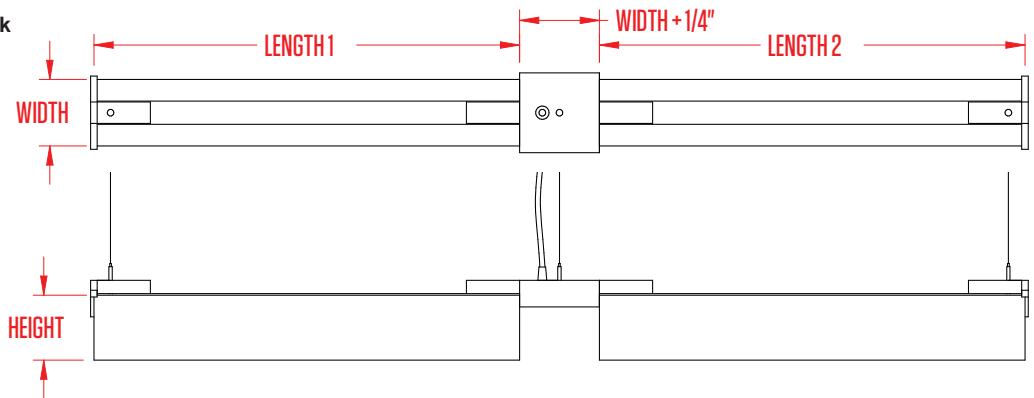
**Linear Array - Flush Seam**



**Straight Sections**

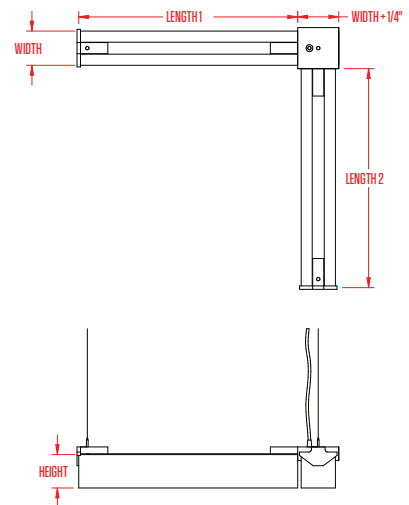


**Linear Array - Connector Block**



**AVAILABLE CONFIGURATIONS**

**L-Corner**

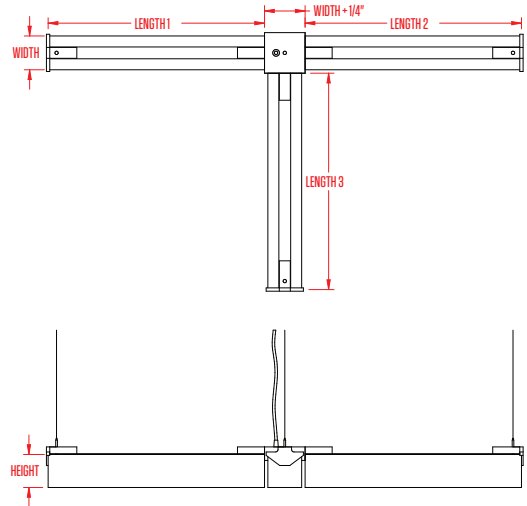


Spacing: **Dependant on fixture diameter**



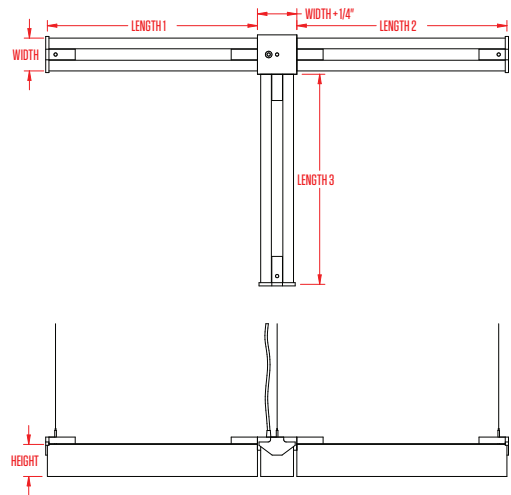
AVAILABLE CONFIGURATIONS (cont.)

**T-Corner**



Spacing: Dependant on fixture diameter

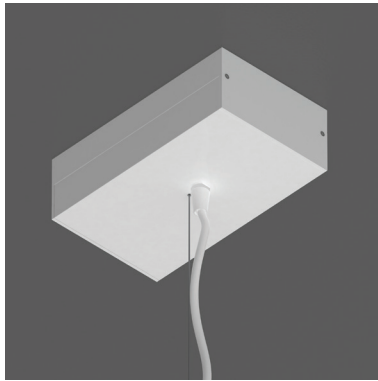
**X-Corner**



Spacing: Dependant on fixture diameter

SPECIFICATION DETAILS (cont.)

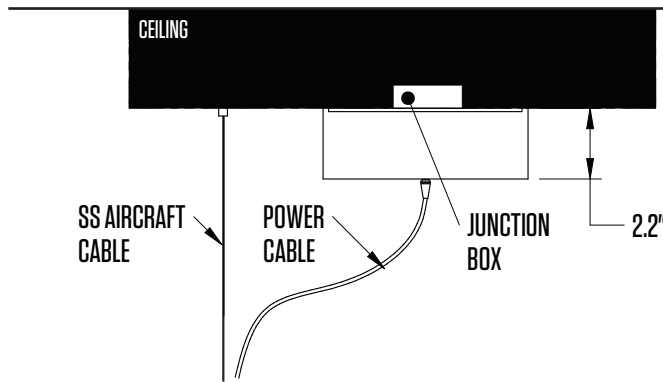
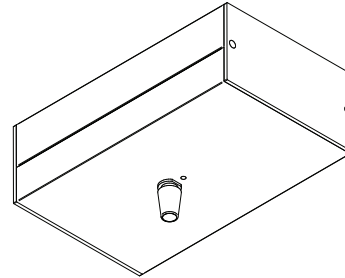
**Surface Canopy  
(SC)**



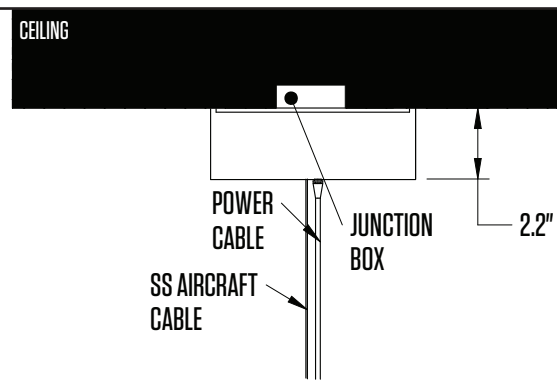
White Power Cord



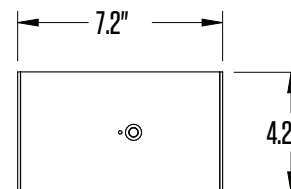
Black Power Cord



*Offset Surface Ceiling Location Mounting Side View*



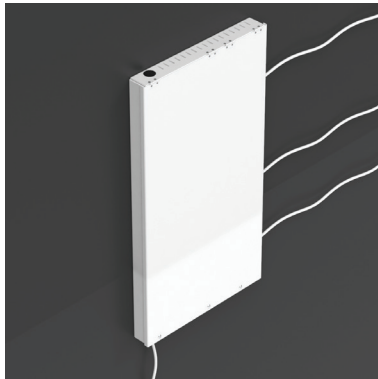
*Surface Ceiling Location Mounting Side View*



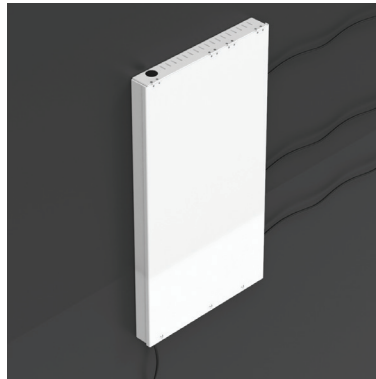
*Surface Ceiling Location Mounting Bottom View*

SPECIFICATION DETAILS (cont.)

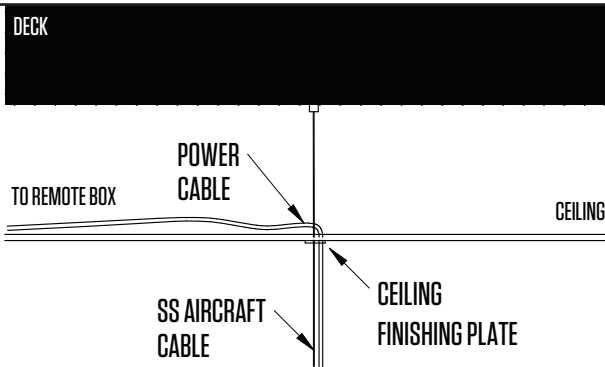
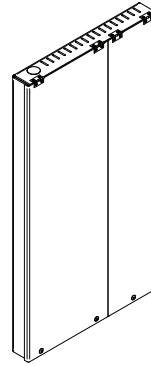
**Remote Driver (RD)**



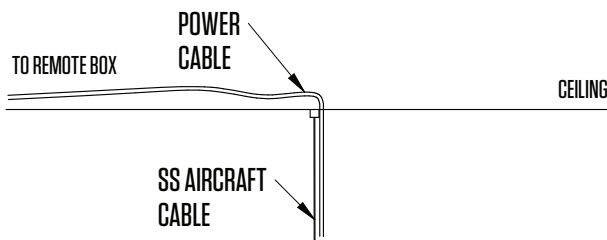
White Power Cord



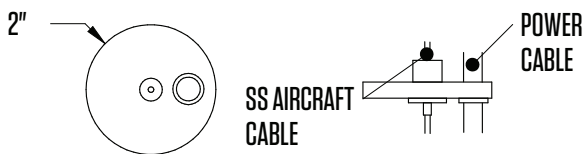
Black Power Cord



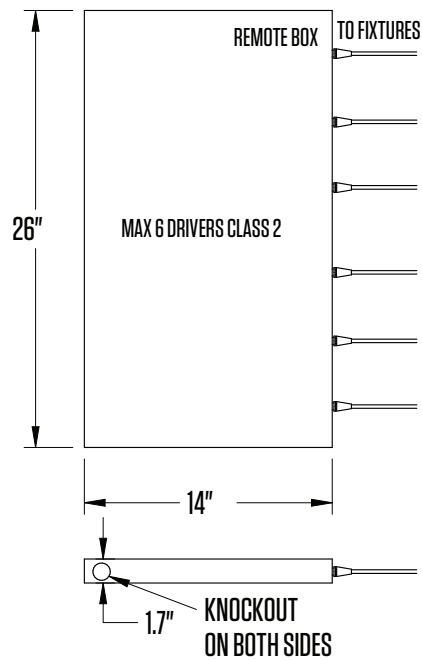
*Acoustic Ceiling Power Supply Box Mounting Side View*



*Solid Ceiling Power Supply Box Mounting Side View*



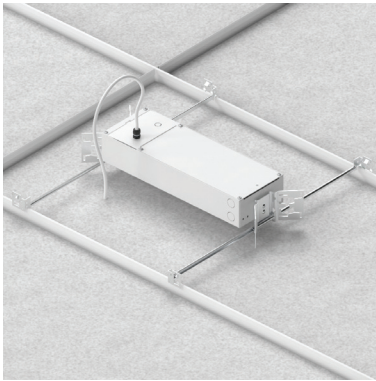
*Ceiling Finishing Plate (FP) Optional*



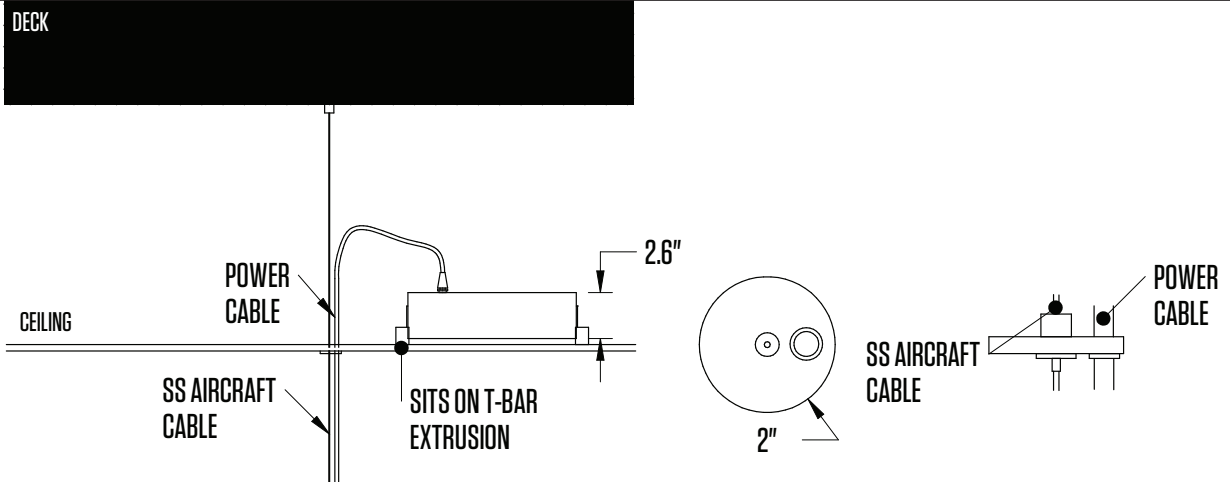
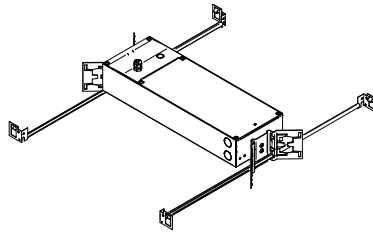
*Power Supply Box Dimensions*

SPECIFICATION DETAILS (cont.)

**ACT Remote  
Driver (AD)**

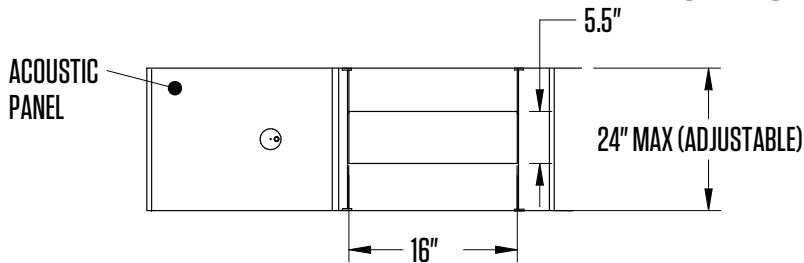


Driver Housing



*Above Ceiling Location Mounting Side View*

*Ceiling Finishing Plate (FP) Optional*



*Above Ceiling Location Mounting Top View*

SPECIFICATION DETAILS (cont.)

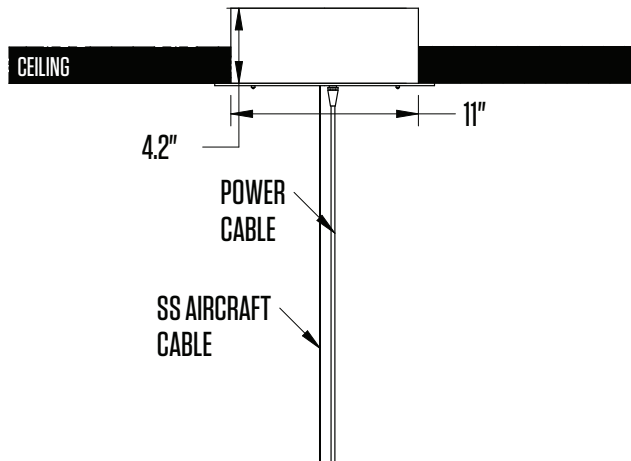
**Recessed Canopy  
(RC)**



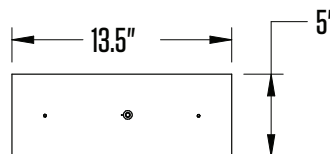
White Power Cord



Black Power Cord



*Flush Ceiling Location Mounting Side View*



*Flush Ceiling Location Mounting Bottom View*



---

## QUICK SHIP

---

 **10 day quick-ship**

Barbican's Quick Ship program offers a **two-week (10 business day) lead time** for specific standard fixtures with select options. The standard fixtures in this program include HPC<sup>3</sup> Straight, Drum, Halo, HPC, **HPC Lite and FOM**. See spec sheet and website for available options.

FOM is available in quantities **up to 50 fixtures per order**. Quick ship date will be confirmed at time of quotation if the order is placed within 5 working days. The order will be acknowledged within 24 hours of receipt of a clean PO. **A clean PO must include the correct catalog numbers, quantities and "Quick Ship" clearly identified.**

Lead time will be 10 business days from the acknowledgment date.

Larger quantities and additional options may be possible.

10 day lead time does not include factory Summer, Christmas or Government mandated shutdowns, statutory holidays (Canadian) or weekends. Change orders will affect lead time and may incur additional costs. Please consult factory.

Barbican cannot be held responsible for any delivery delays caused by the freight company after the product has left our facility. The freight company is solely responsible for any delays. Barbican will accommodate the customer's own freight company on request.

Note that Barbican may be able to ship other products in an expedited manner. Please consult Barbican for lead times.