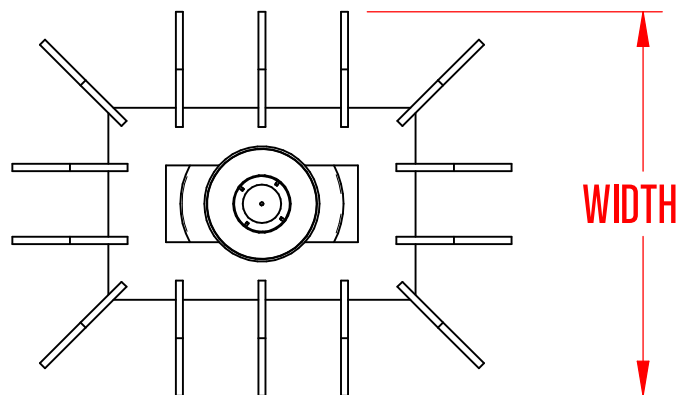
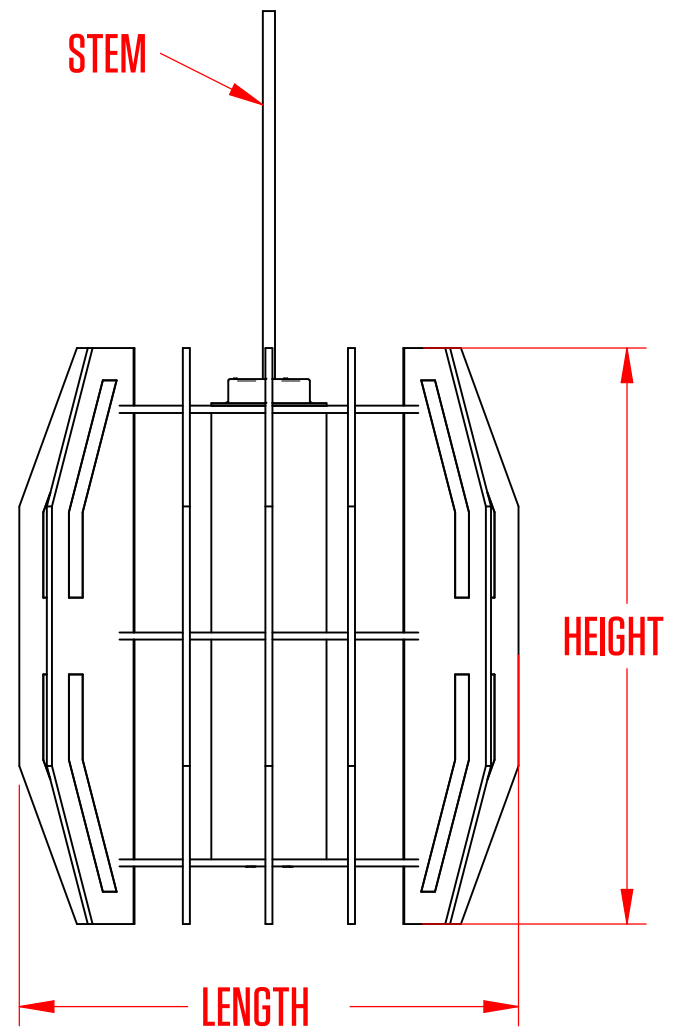
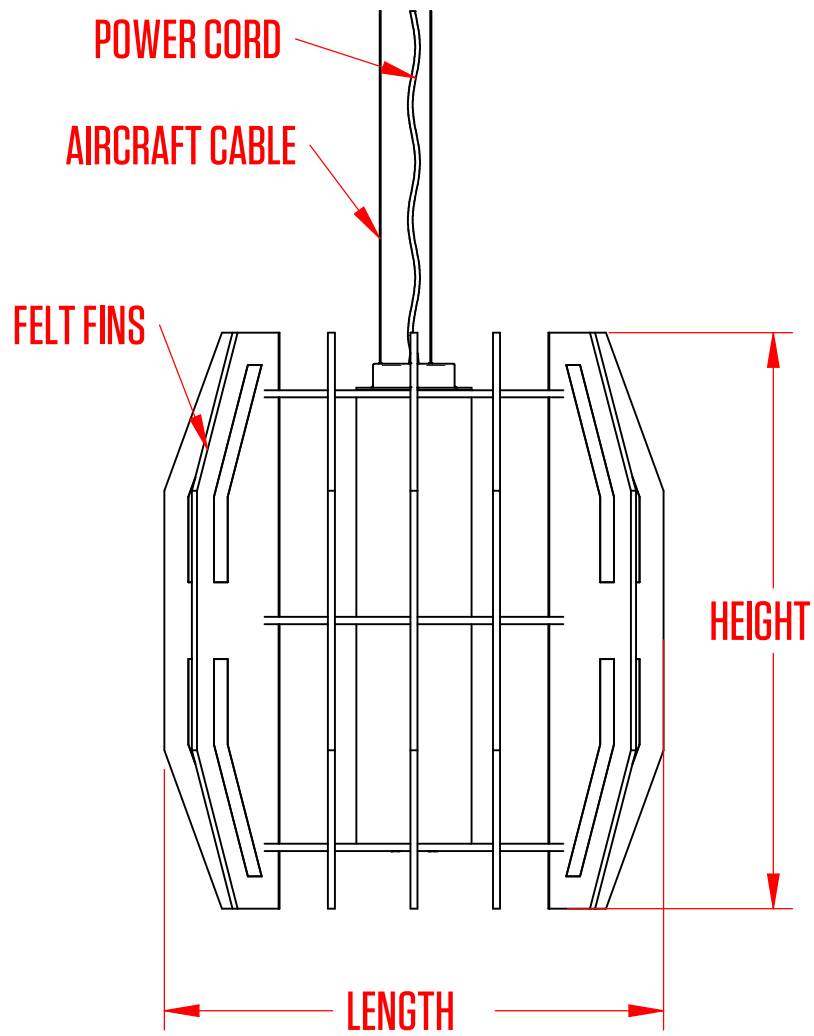


canada: 479 central avenue | fort erie, ontario | L2A 3T9  
usa: 266 elmwood avenue, unit 386 | buffalo, new york | 14222  
www.barbican.ca | 800 663 5781 | info@barbican.ca

PRODUCT CODE:	AR-105-U
PRODUCT NAME:	EMPIRE
CONTACT:	sales@barbican.ca



canada: 479 central avenue | fort erie, ontario | L2A 3T9  
 usa: 266 elmwood avenue, unit 386 | buffalo, new york | 14222  
 www.barbican.ca | 800 663 5781 | info@barbican.ca

PRODUCT CODE:	AR-105-L
PRODUCT NAME:	EMPIRE
CONTACT:	sales@barbican.ca