

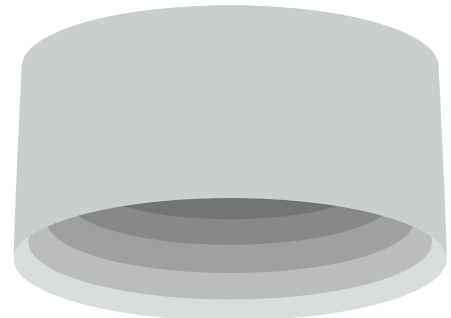
DRUM

PENDANT



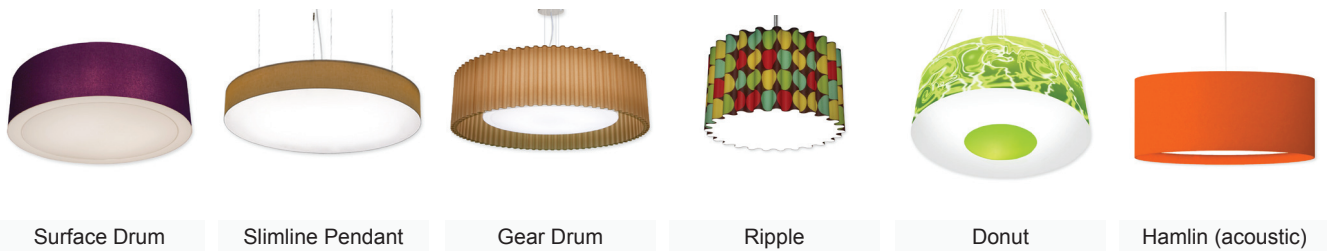
Our most popular fixture, the **Drum** is manufactured with Barbican's proprietary wet laminated shade material. This ensures that the fixture is more robust, stays cleaner and can be sanitized with hospital grade disinfectants unlike fabric or acrylic based fixtures, allowing it to be used in spaces that require a high level of sanitation. This allows the fixtures to be a great choice for hospitals, food service and other commercial spaces.

Available in a range of diameters and heights including many acoustic options. The **Drum** fixture can add dimension to your environment, whether it's a modern restaurant or a high-functioning office. Also available in our Quick Ship program.



Available in **28 standard diameter/height combinations!**

RELATED FIXTURES



Surface Drum

Slimline Pendant

Gear Drum

Ripple

Donut

Hamlin (acoustic)

AVAILABLE FINISH OPTIONS

Laminated Fabric					Printed Pattern				
+ MORE					+ MORE				
Natural Wood			Natural Stone			Artisan Collection			
+ MORE			+ MORE			+ MORE			
Acoustic					Metal				
+ MORE					CUSTOM RAL				

DRUM

PENDANT



SPECIFICATION (1/2)

10 day quick-ship (see following pages for quick-ship information, limitations and requirements)

Fixture	Diameter	Height	Diffuser	Mounting	Voltage	Power Cable Finish
16-104	<input type="text"/>	<input type="text"/>	HTO	<input type="text"/>	UNV	<input type="text"/>
16-104 Pendant Drum	18D 18" 24D 24" 30D 30" 36D 36" 42D 42" 48D 48"	8H 8" 10H 10" 12H 12" 18H 18" 24H 24" *	HTO Opal	ACM Aircraft Cable * STM Stem Mount * Remote with escutcheons contact factory for maximum cable lengths	UNV 120/277 Volts <i>Consult factory for other voltages</i>	WPC White BPC Black CUSPC Custom <i>Consult factory</i>

Stem and/or Canopy Finish	Delivered Lumens																												
<input type="text"/>	<input type="text"/>																												
WCF White BCF Black ACF Brushed Aluminum RAL Custom <i>RAL North America; Consult factory</i>	<table border="1"> <thead> <tr> <th></th> <th>18"</th> <th>24"</th> <th>30"</th> <th>36"</th> <th>42"</th> <th>48"</th> </tr> </thead> <tbody> <tr> <td>Low Output</td> <td>1425LM - 15W</td> <td>1425LM - 15W</td> <td>2375LM - 25W</td> <td>3800LM - 40W</td> <td>5700LM - 60W</td> <td>7600LM - 80W</td> </tr> <tr> <td>Standard</td> <td>1950LM - 21W</td> <td>2375LM - 25W</td> <td>3800LM - 40W</td> <td>5700LM - 60W</td> <td>7600LM - 80W</td> <td>9500LM - 100W</td> </tr> <tr> <td>High Output</td> <td>2375LM - 25W</td> <td>5700LM - 60W</td> <td>8500LM - 90W</td> <td>12000LM - 130W</td> <td>15000LM - 160W</td> <td>18500LM - 195W</td> </tr> </tbody> </table> <p>___LM Custom Lumen Output*</p> <p><i>Consult factory for outputs outside of this range. Total lumen output up to 30,000 lm delivered based on diameter. Maximum Output varies by diameter</i></p>		18"	24"	30"	36"	42"	48"	Low Output	1425LM - 15W	1425LM - 15W	2375LM - 25W	3800LM - 40W	5700LM - 60W	7600LM - 80W	Standard	1950LM - 21W	2375LM - 25W	3800LM - 40W	5700LM - 60W	7600LM - 80W	9500LM - 100W	High Output	2375LM - 25W	5700LM - 60W	8500LM - 90W	12000LM - 130W	15000LM - 160W	18500LM - 195W
	18"	24"	30"	36"	42"	48"																							
Low Output	1425LM - 15W	1425LM - 15W	2375LM - 25W	3800LM - 40W	5700LM - 60W	7600LM - 80W																							
Standard	1950LM - 21W	2375LM - 25W	3800LM - 40W	5700LM - 60W	7600LM - 80W	9500LM - 100W																							
High Output	2375LM - 25W	5700LM - 60W	8500LM - 90W	12000LM - 130W	15000LM - 160W	18500LM - 195W																							

Color Temperature	Color Rendering	Driver Location	Dimming Driver	Options Continued on Next Page
<input type="text"/>	90	<input type="text"/>	<input type="text"/>	<input type="text"/>
2700K 2700K 3000K 3000K 3500K 3500K 4000K 4000K 5000K 5000K 2765K Tunable White* <i>2700K - 6500K</i> RGB30 RGBW* <i>RGB + 3000K</i> 3000FS Full Spectrum <i>3000K</i> 3500FS Full Spectrum <i>3500K</i> CUSK Custom CT <i>2400K - 6000K; Consult factory</i>	90 90+ CRI	SCDL Surface Canopy CUSDL Custom Driver <i>Consult factory for options.</i>	S010V10 Standard 0-10V, 10% S010V01 Standard 0-10V, 1% E010V01 eldoLED 0-10V, 1% EDALI01 eldoLED DALI, 0.1% EDMX01 eldoLED DMX, 0.1% LECO01 Lutron Ecosystem, 1% SOFTB, (Soft-on, Fade-to-Black) LECOTW Lutron Ecosystem, 1%, Tunable White – T series MOLPOE Moxex POE Node OTHERD Other Driver Options <i>Consult factory for availability of other driver options</i>	<input type="checkbox"/> <input type="checkbox"/> <input type="checkbox"/> <input type="checkbox"/>

Full spectrum .95 reduced output contact factory

DRUM

PENDANT



SPECIFICATION (2/2)

10 day quick-ship (see following pages for quick-ship information, limitations and requirements)

Acoustic Shade	Shade Finish Category*	Shade Finish Selection*
<input type="checkbox"/> NOAC No Acoustics <input type="checkbox"/> ADDAC Add Acoustics	<input type="checkbox"/> LF Laminated Fabric * <input type="checkbox"/> PS Printed Pattern <input type="checkbox"/> PW Natural Wood <input type="checkbox"/> PSF Natural Stone <input type="checkbox"/> PSASP Sarah Phelps ** <input type="checkbox"/> PSAKC Kaleidoscope ** <input type="checkbox"/> PSAAP Aleta Pippin ** <input type="checkbox"/> CP Custom Printing <small>Consult factory</small> <small>* See following pages for examples/ names of all Laminated Fabric finishes</small> <small>** Part of Barbican's Artisan Collection</small>	<input type="text"/> Finish Name <small>* Please visit barbican.ca/resources to view finishes or choose from the laminated materials lightbox in the drum product builder on our website.</small>

WRITTEN SPECIFICATIONS

LED System

- LED Circuitry is applied to minimum 0.0625" thick aluminum modules for excellent heat management. Modules are removeable for maintenance and are 90% recyclable.
- LEDs are 90+CRI, 3 SDCM.
- 36" x 8" fixture performance at 3000K 90CRI, 6896lms, 61.44 Watts, 112 LPW Delivered

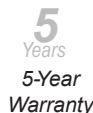
Construction

- Side Diffuser: Wet Laminated PETG (polyethylene terephthalate glycol-modified); which is a variant of PET used in water bottles everywhere. Designed to be used in environments where high levels of disinfectant products are used. It is also has a much higher impact resistance than Acrylic.
 - Barbican uses a proprietary diffusion formula PETG which in conjunction with the LED system provides excellent efficiencies of up to 95 lumens per watt at 3000K 90+ CRI.
- Metal construction to be aluminum minimum 0.0625" thickness. Fasteners are to be stainless steel.
- Cable grippers are nickel plated solid brass and stainless steel. Cables are 1/16" stainless steel.
- Canopies and driver housings are minimum 0.0625" aluminum.
- Barbican's Drum fixtures comes standard with the shade and light engine fully enclosed to protect from ingress of dirt, dust and other site conditions.

Mounting

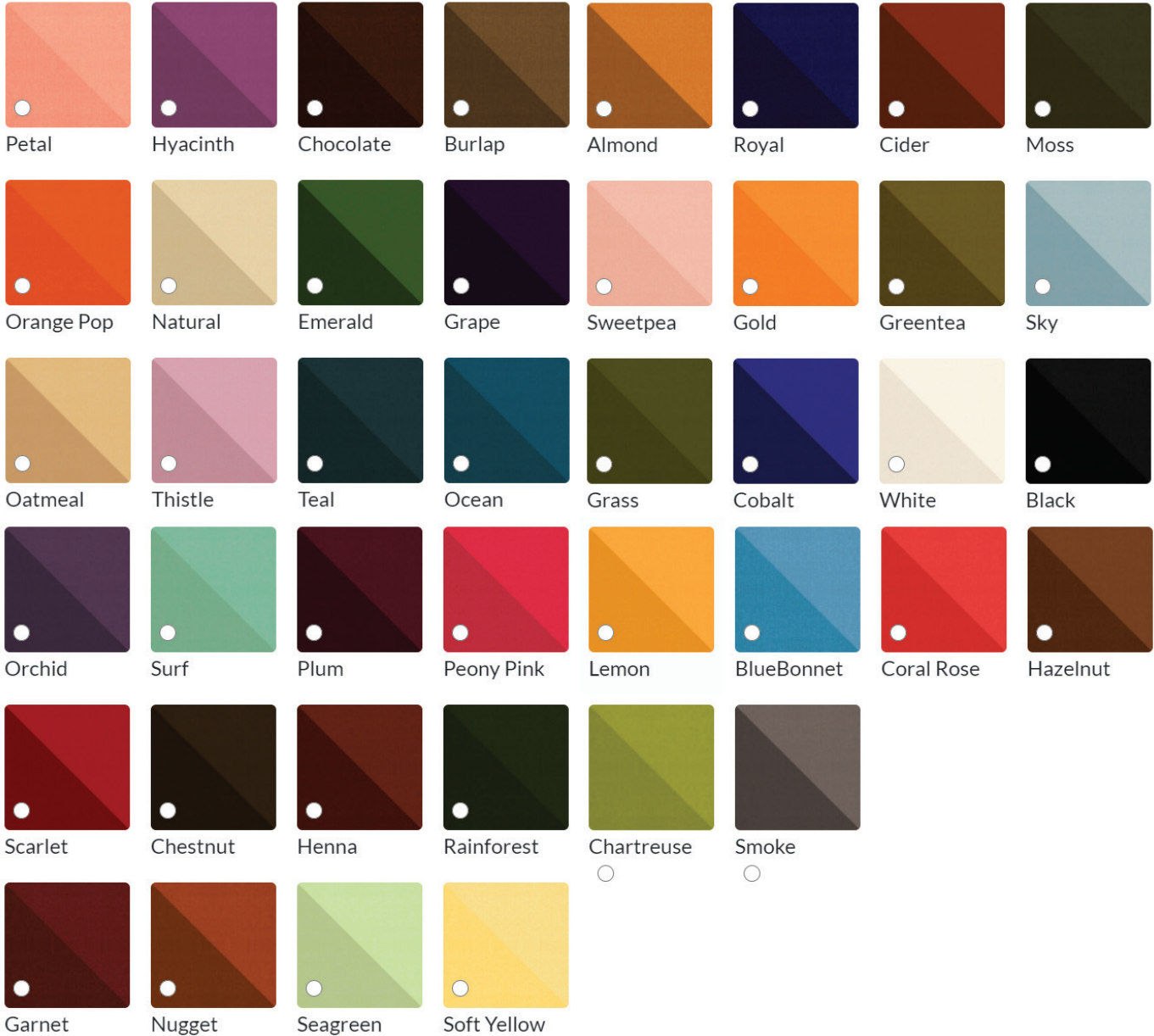
- Power cables are low voltage from the canopy drivers.
- Drivers:** All drivers are mounted in the canopy. Standard drivers include 0-10V 10% dimming 120/277V with Power Factor of >.9. Barbican works with most Control and Driver manufacturers including POE and can easily modify the driver housings for special control gear. Fixtures over 96W may require more than one driver per fixture.
- Emergency fixtures are supplied with leads and KO for UL924 relays (by others). Battery back up will usually only drive one or two of the cores in larger fixtures to maintain the 90 minute requirement. Maximum distance driver to fixture 15 feet.
- Labels:** ETL US and Canada, CE Europe and Middle East (Dry, Damp indoor use only)
- Finish:** Polyester Powder Coated standard, Hand Brushed Aluminum
- Lumen Maintenance:** Reported L90 > 10,000hrs, Calculated > 60,000hrs (TM-21)
- Warranty:** 5 years limited at 25 Celsius. Contact Barbican for additional information.

LABELS



MATERIALITY AND FINISHES

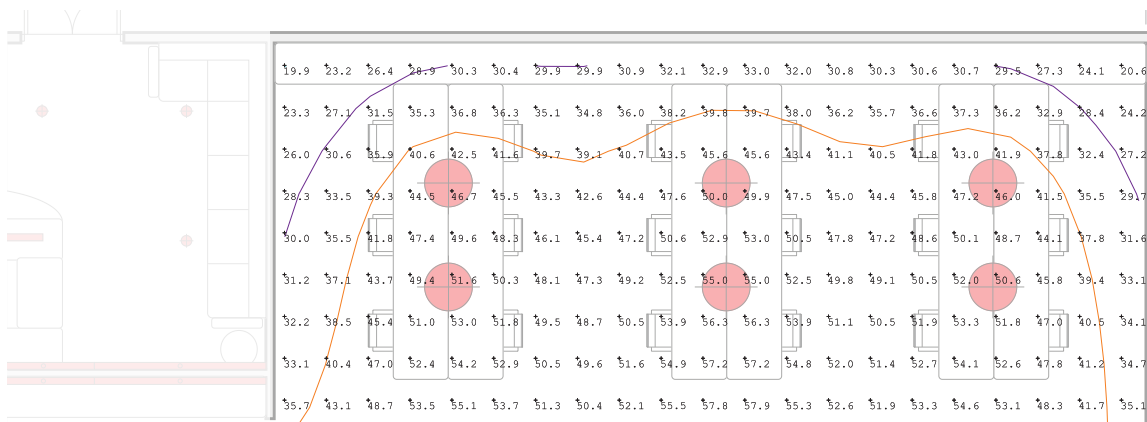
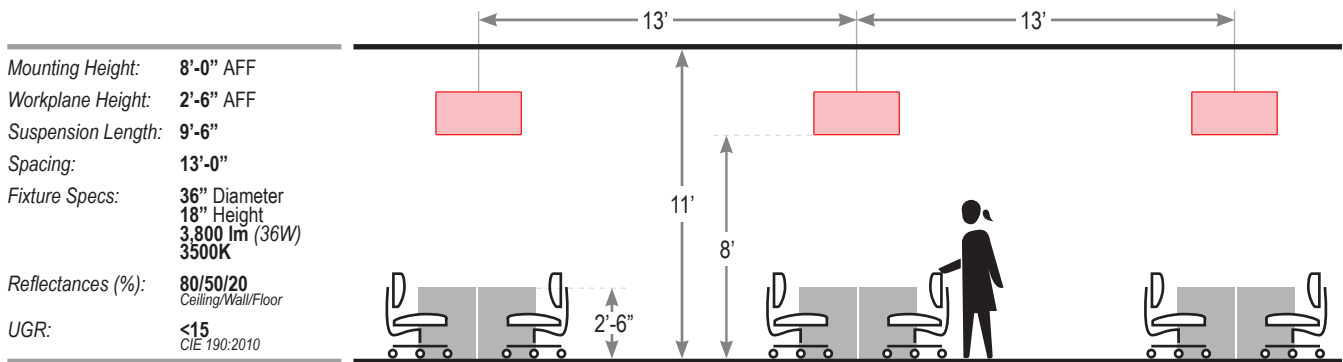
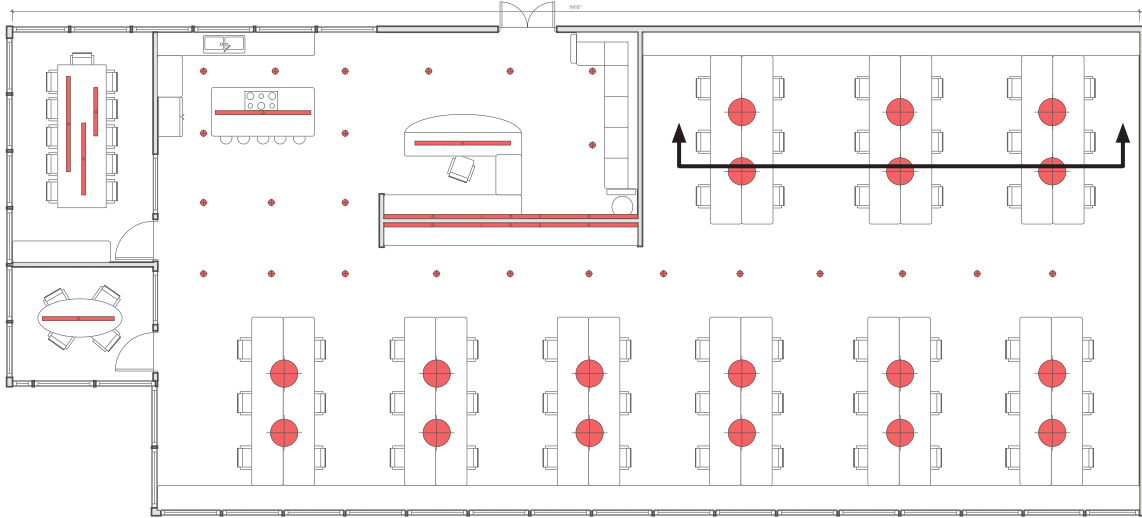
Laminate Fabric



DRUM PENDANT



EXAMPLE LAYOUT



APPLICATIONS

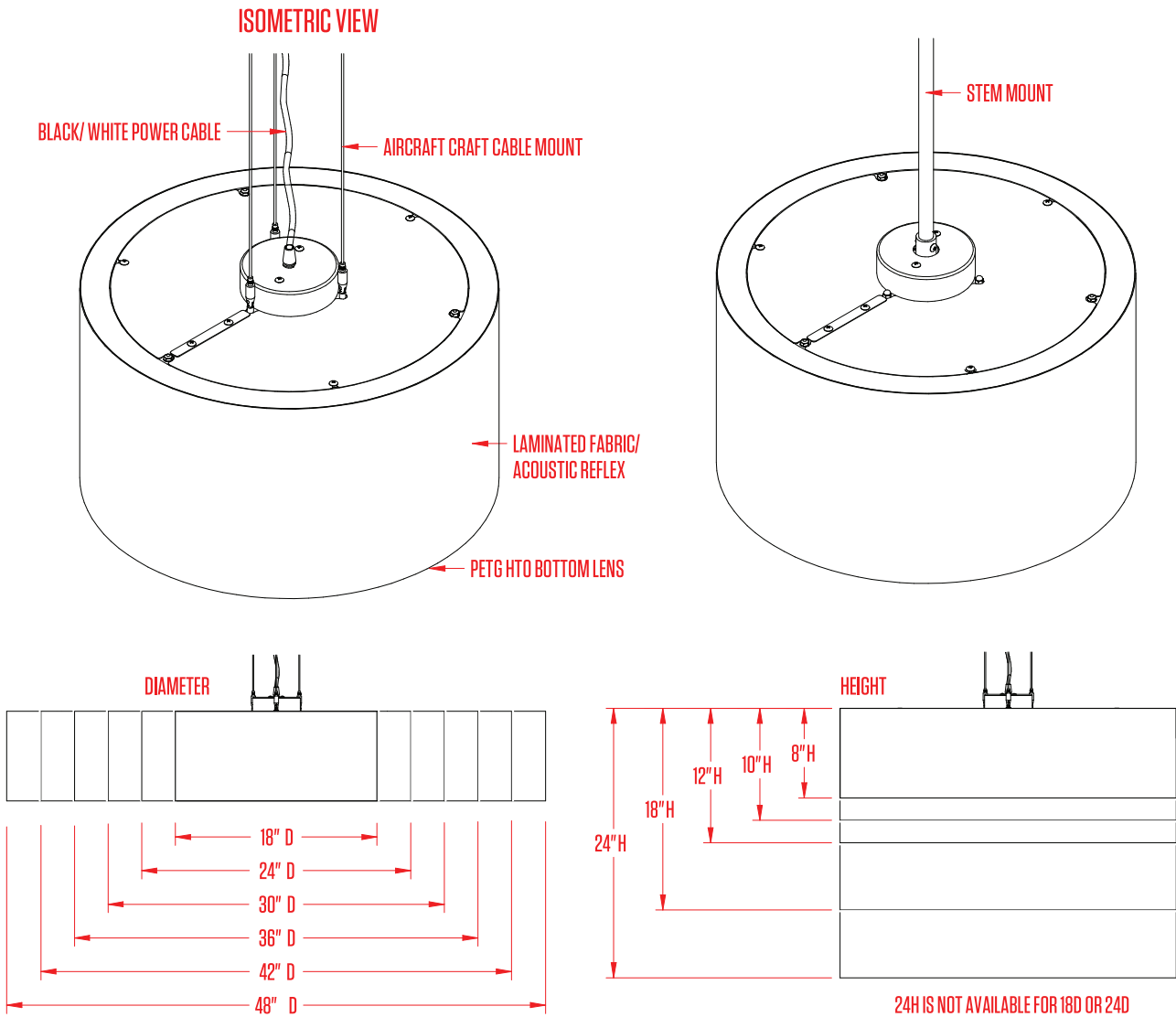


APPLICATIONS



DRUM PENDANT

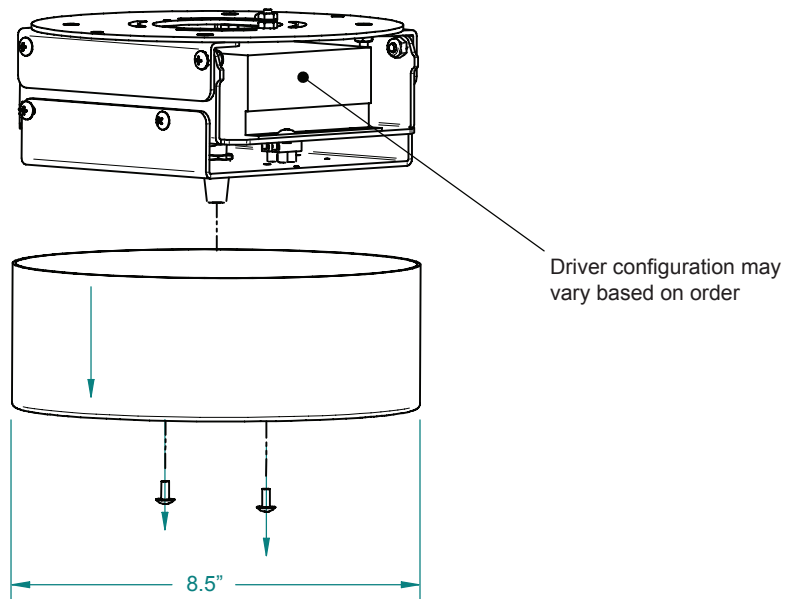
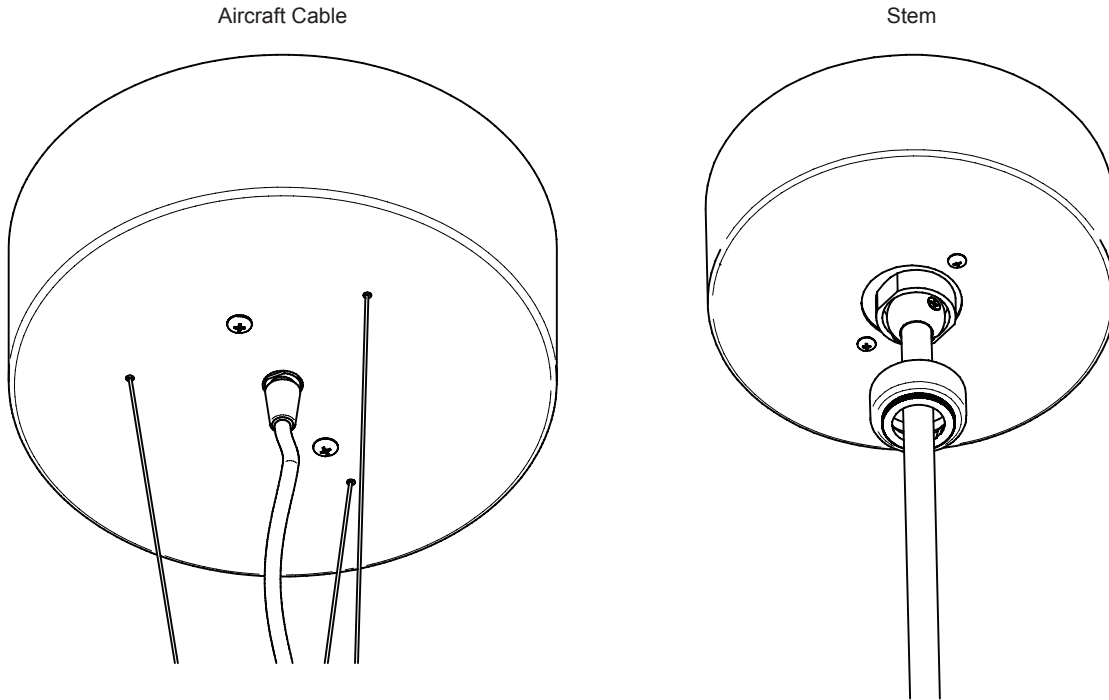
Line Drawing



DRUM PENDANT

SPECIFICATION DETAILS (cont.)

Surface Canopy (SC)



QUICK SHIP

10 day quick-ship

Barbican's Quick Ship program offers a **two-week (10 business day) lead time** for specific standard fixtures with select options. The standard fixtures in this program include **Drum**, HPC³ Straight, Halo and HPC. See spec sheet and website for available options.

Drum is available in quantities **up to 20 fixtures per order**. Quick ship date will be confirmed at time of quotation if the order is placed within 5 working days. The order will be acknowledged within 24 hours of receipt of a clean PO. **A clean PO must include the correct catalog numbers, quantities and "Quick Ship" clearly identified.**

Lead time will be 10 business days from the acknowledgment date.

Larger quantities and additional options may be possible.

10 day lead time does not include factory Summer, Christmas or Government mandated shutdowns, statutory holidays (Canadian) or weekends. Change orders will affect lead time and may incur additional costs. Please consult factory.

Barbican cannot be held responsible for any delivery delays caused by the freight company after the product has left our facility. The freight company is solely responsible for any delays. Barbican will accommodate the customer's own freight company on request.

Note that Barbican may be able to ship other products in an expedited manner. Please consult Barbican for lead times.