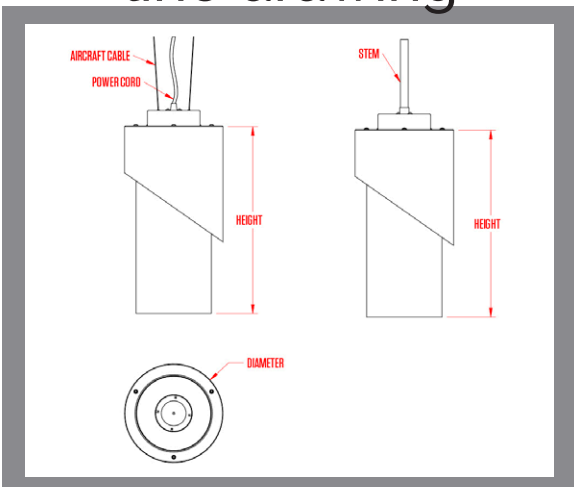


bias-cut cylinder

model | 16-27



line drawing



dimensions

- 6" diameter (inner)
- 8" diameter (outer)
- 15" height

material

- laminated shade*
- + opal diffuser

sourcing

- LED

mounting

- aircraft cable
- stem

*See shade material under 'design options' in the resources section.