

DESCRIPTION

The Rival LED Specification Series meets the standards of architectural requirements while providing many options and accessories to customize any installation.

Catalog #		Type
Project		
Comments		Date
Prepared by		

SPECIFICATION FEATURES

Electronic

- Dual 120/277VAC 60Hz input
- Solid state charger and transfer circuitry (no relays or fuses)
- Momentary test switch; circuit is battery short circuit protected
- Brown out protection, low voltage disconnect
- LED Heads with lumen output equal to 9W incandescent

Battery

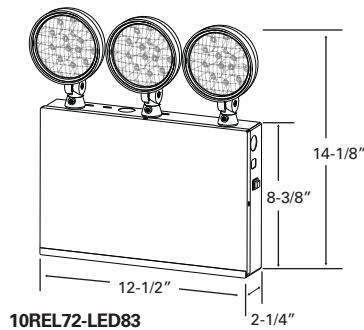
- Long life, sealed, maintenance-free, nickel cadmium battery

Housing Construction

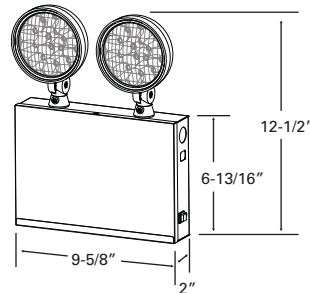
- Standard finish, durable white powder coat.
- Steel units fabricated of 20 gauge steel
- Conduit knockouts and rear keyhole mounting knockouts provided

Code Compliance

- Meets or exceeds all current UL 924 requirements, and applicable sections of the Life Safety Code



10REL72-LED83



10-REL36-LED42



ORDERING INFORMATION

Catalog No.	Heads	Watts per Head	Max. Remote Heads
10REL36-LED42	2	Lumens equal to 9W	2
10REL72-LED83	2	Lumens equal to 9W	6
10REL72-LED83	3	Lumens equal to 9W	5

OPTIONS AND ACCESSORIES

ACCESSORIES

Description	Code
Cord Sets	
120 Volt	3 CP
277 Volt (Specify male plug type)	0 CP
Mounting Bracket	MB
Mounting Shelf	MS
Wire Guards	GXBW

OPTIONAL: LED REMOTE HEADS

RFLED401	Single LED Remote Head
RFLED402	Double LED Remote Head

RIVAL LED SPECIFICATION

STEEL SPECIFICATION GRADE EMERGENCY UNIT LED LAMPS

EMERGENCY LIGHTING