

Catalog #		Type
Project		
Comments		Date
Prepared by		

SPECIFICATION FEATURES

General Features

- Dual 120/277 VAC 60Hz input
- Solid-state voltage charger and switching in self-powered version
- Brownout circuit
- Test switch/power indicator light in self-powered version
- Long-life, energy-efficient LED lamps
- 18-gauge steel recessed housing with conduit knockouts
- Recessed housing for ceiling or wall mounting
- Adjustable hanger bars
- Connectors facilitate quick installation and maintenance
- Injection molded, high-impact acrylic panel
- Long life nickel cadmium battery
- 5 year product warranty
- Options to meet Buy American and other domestic preference requirements

Compliances may not apply to all product configurations. Please consult the product spec sheet for compliance details.

COMPLIANCES: UL924 Listed; NFPA 101 Compliant, NYC Code Compliant

ORDERING INFORMATION

SAMPLE NUMBER: TAC26GWPALR

Domestic Preferences ⁽¹⁾	Operation	Mounting	Number of Faces	Letter Size	Letter/Panel Color	Trim Finish	Arrow Direction
[Blank]=Standard BAA=Buy American Act TAA=Trade Agreements Act	TA = AC-only TS = Self-powered	C = Ceiling W = Wall	1 = Single 2 = Double	6 = 6 8 = 8 (Red Only) ¹	GC = Green on Clear (Single Face Only) GW = Green on White RC = Red on Clear (Single Face Only) RM = Red on Mirror Mylar RW = Red on White	BK = Polished Black BZ = Bronze PA = Polished Aluminum SA = Satin Aluminum WH = White	[Blank] = No Arrow AL = Arrow Left AR = Arrow Right DH = Double Headed Arrows LR = Double Face Arrows

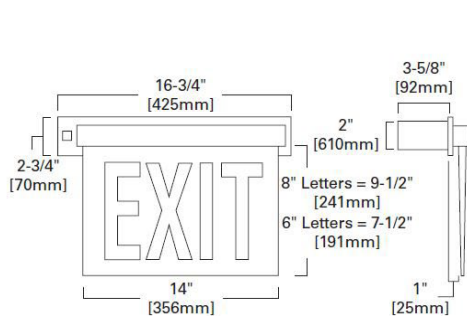
Note: Housing ordered separately

Housing

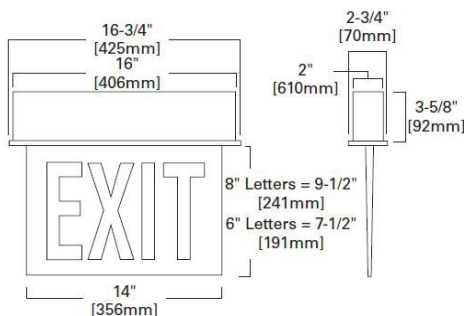
- HA = AC only
- HS1 = Self-powered; 1 sided
- HS2 = Self-powered; 2 sided

Notes: (1) Only product configurations with these designated prefixes are built to be compliant with the Buy American Act of 1933 (BAA) or Trade Agreements Act of 1979 (TAA), respectively. Please refer to [DOMESTIC PREFERENCES](#) website for more information. Components shipped separately may be separately analyzed under domestic preference requirements.

RECESSED, WALL MOUNT



RECESSED, CEILING MOUNT



MARATHON RECESSED EDGE-LIT EXIT SIGN



ENERGY DATA

Maximum power consumption under all charge conditions:

LED Exits, Red Letters, AC Only	LED Exits, Red Letters, Self-Powered
Input Power: 120V = 3.8W 277V = 3.9W	Input Power: 120V = 4.6W 277V = 4.8W
Input Current (Max.): 120V = .03 277V = .02	Input Current (Max.): 120V = .04 277V = .02
Power Factor: 120V = .93 277V = .93	Power Factor: 120V = .90 277V = .89