

Installation Instructions for the AUX Universal Edge Lit Exit – Battery Backup with Self Diagnostics

WARNING

Risk of Fire/Electric Shock

If not qualified, consult an electrician.

WARNING

Risk of Electric Shock

Disconnect power at fuse or circuit breaker before installing or servicing.

Important Safeguards

WHEN USING ELECTRICAL EQUIPMENT, BASIC SAFETY PRECAUTIONS SHOULD ALWAYS BE OBSERVED INCLUDING THE FOLLOWING.

1. READ AND FOLLOW ALL SAFETY INSTRUCTIONS
2. Dry location only. Do not use outdoors.
3. Do not use in hazardous locations, or near gas or electric heaters.
4. Do not let power supply cords touch hot surfaces.
5. Use caution when servicing batteries. Battery acid can cause burns to skin and eyes. If acid is spilled on skin or in eyes, flush acid with fresh water and contact a physician immediately.
6. Do not use this equipment for other than the intended use.
7. Installation is to be performed only by qualified personnel.
8. Install in accordance with National Electric Code and local regulatory agency requirements.
9. The use of accessory equipment not recommended by the manufacturer may cause an unsafe condition.
10. Equipment should be mounted in locations and at heights where it will not readily be subjected to tampering by unauthorized personnel.
11. SAVE THESE INSTRUCTIONS

For Recessed Installation

1. Turn off power supply.
2. Determine if the fixture will be mounted in the ceiling or the wall.
3. Remove the screws securing the trim plate to the housing (See Figure 1). Place the trim assembly and screws aside and save them for later installation. It is not necessary to disconnect the wire harness connecting the charger driver circuit board to the LED board. Instead, the trim plate can be hung from the sliding plastic installation hook (see figure 2).

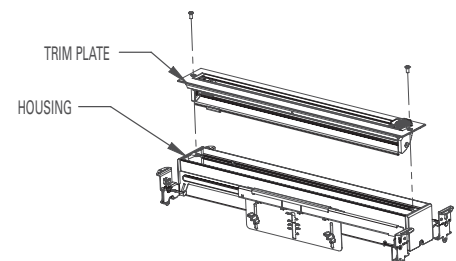


FIGURE 1

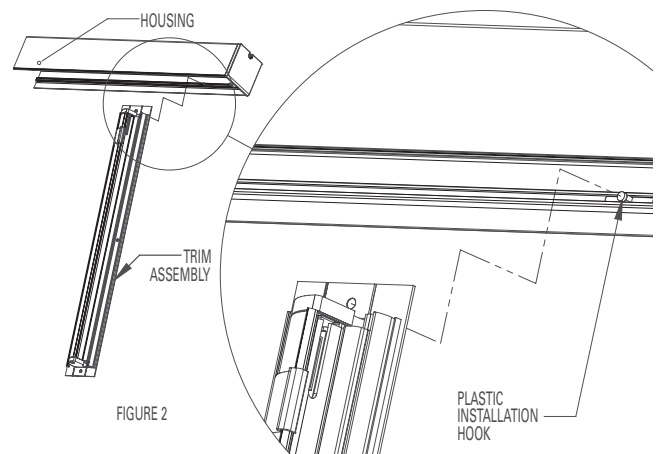


FIGURE 2

4. Determine where supply wires will be brought into the fixture. There are knockouts in each endcap on the side of the housing, and a hole between the hanger bars. If the hole between the hanger bars is to be used, remove the two screws holding the cover plate and the hanger bars, discard the plate, and then replace the screws and hanger bars.
5. Install the housing using the hanger bars. The hanger bars can be extended up to 25.5", and are designed to be nailed or screwed to studs, clipped onto the T-grid of a suspended ceiling, or be suspended from wires. If the hanger bars need to be configured perpendicular to the fixture, the hanger bar brackets can be attached at the ends of the fixture using the screws provided (See Figure 3).
6. Adjust the fixture to accommodate the thickness of drywall, plaster, or ceiling tile to be used. The notches and markings on the hanger bar holders correspond to the material thickness (See Figure 4).

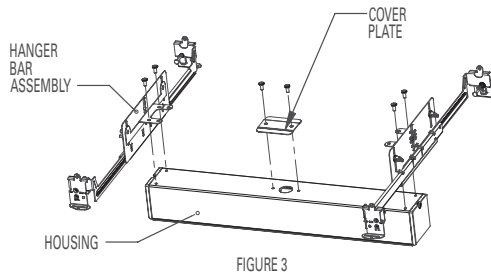


FIGURE 3

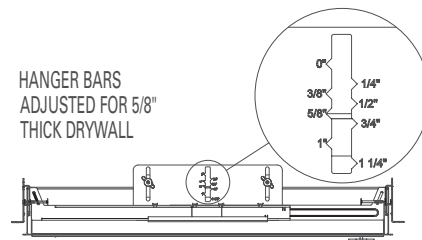


FIGURE 4

7. Connect power supply and ground in accordance with NEC and local codes. Wire connections are as follows: Ground to Green Lead, Neutral to White Lead, 277V line to Orange Lead (if used), 120V line to Black Lead (if used). Cap unused Line Lead. (See Schematic)
8. Excess wire length can be held in place in the wire trap (See Figure 5).
9. If the fixture is to be wall mounted, first, loosen the set screw on the back of the pivot housing. Then remove the locking clip by sliding it to the end of the pivot housing (See Figure 6). Rotate the pivot housing 90 degrees, and then replace the locking clip. Tighten the set screw.
10. Remove the trim assembly from the installation hook. Slide the trim assembly through the trim cover so that it can be installed between the trim assembly and the ceiling or wall.
11. Replace the screws holding the trim assembly to the housing.
12. Lens is provided in a separate box. Apply chevrons and background as needed. Snap lens into place.

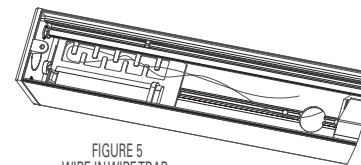


FIGURE 5
WIRE IN WIRE TRAP

NOTE: If using the lens with the default transparent background (instead of the provided white or mirror backgrounds) it must be installed only where there is adequate color contrast between the sign legend and the interior wall finish behind the sign, to provide for sufficient visibility.

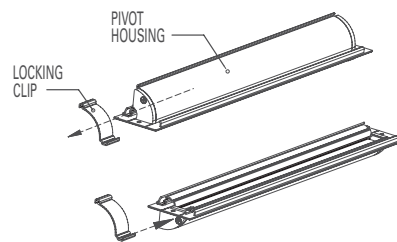


FIGURE 6

13. Turn on power to fixture. Remove EZ Key battery disconnect.

For Surface Installation:

1. Turn off power supply.
2. Remove the two screws securing the hanger bar brackets and hanger bars. Remove the hanger bar assemblies.
3. Determine if the fixture will be mounted on the ceiling, wall, or end mounted.

- For wall or ceiling mount, attach the canopy over the hole in the center of the housing using the screws used to hold the hanger bar brackets (See Figure 7).
 - For end mount, remove the endcap on the desired end, and replace it with the canopy and guide bracket (See Figure 8). Replace the cover plate over the hole in the center of the housing.
4. Remove the screws securing the trim plate to the housing (See Figure 1). Place the trim assembly and screws aside and save them for later installation. It is not necessary to disconnect the wire harness connecting the charger driver circuit board to the LED board. Instead, the trim plate can be hung from the sliding plastic installation hook (See Figure 2).

Secure the canopy to the junction box using the adapter plate and screws provided (See Figure 7/8). The adapter plate is designed to be connected to a NEMA standard 3.5" round, 4" round, 3.5" octagon, 4" octagon, or handy (single gang) box. However, it is possible to connect the adapter plate to other electrical boxes with some modification.

5. Connect power supply and ground in accordance with NEC and local codes. Wire connections are as follows: Ground to Green Lead, Neutral to White Lead, 277V line to Orange Lead (if used), 120V line to Black Lead (if used). Cap unused Line Lead. (See Schematic)
6. Excess wire length can be held in place in the wire trap (See Figure 5).
7. If the fixture is to be wall mounted, first, loosen the set screw on the back of the pivot housing. Then remove the locking clip by sliding it to the end of the pivot housing (See Figure 5). Rotate the pivot housing 90 degrees, and then replace the locking clip. Tighten the set screw.
8. Remove the trim assembly from the installation hook.
9. Replace the screws holding the trim assembly to the housing.
10. Lens is provided in a separate box. Apply chevrons and background as needed. Snap lens into place.

NOTE: If using the lens with the default transparent background (instead of the provided white or mirror backgrounds) it must be installed only where there is adequate color contrast between the sign legend and the interior wall finish behind the sign, to provide for sufficient visibility.

11. Turn on power to fixture. Remove EZ Key battery disconnect.

Activating Optional Features:

FLASHER: If the consumer desires the exit sign to flash on and off when in emergency mode, remove the jumper labeled FLASHER from the circuit board while unit is de-powered. See Schematic.

MAINTENANCE: None required.

NOTE: Servicing of any parts should be performed by qualified personnel. Only use replacement parts supplied by Cooper Lighting Solutions. Use of unauthorized parts may void the warranty

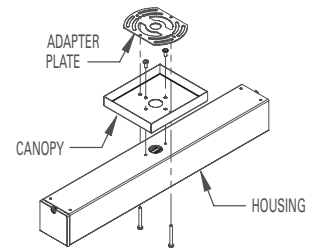


FIGURE 7

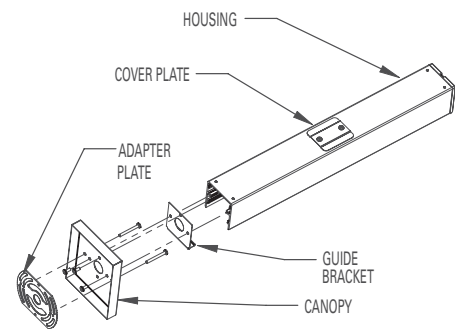


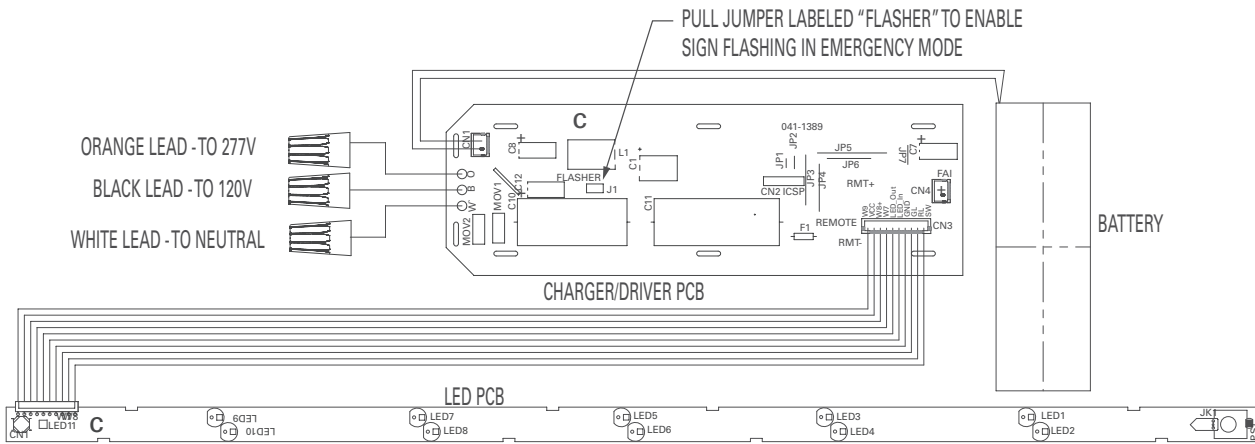
FIGURE 8

TROUBLE SHOOTING HINTS:

If LED display or charge indicator LED does not illuminate, check the following:

1. Check AC supply – verify that unit has 24 hour AC supply.
2. Unit is shorted.
3. If following the above trouble shooting hints does not solve your problem, contact your local Cooper Lighting Solutions representative for assistance.

SCHEMATIC:



Voltages and wire colors may vary for international versions. Check wire tags.

Usage Instructions for the Atlite Eagle Eye Self Diagnostics

The Atlite Eagle Eye Self Diagnostics is continuously monitoring your emergency fixture, and will signal any failure through the 3 color indicator LED.

Initial Operation:

When the unit is first powered up, it will go into a 24 hour fast charge, indicated by the indicator LED pulsing green. Once the unit has fully charged, it will perform a self calibration, after which the LED will change to steady green, indicating the unit is fully charged and float charging the battery to maintain readiness.

Automatic Testing:

The unit will perform a battery capacity, lamp/LED, and charge circuit test every 30 days for 30 seconds. During this time, the indicator LED will change to a steady yellow. It will perform a full battery capacity (90 minute) test once per year. During this time, the indicator LED will change to a blinking yellow.

Manual Testing

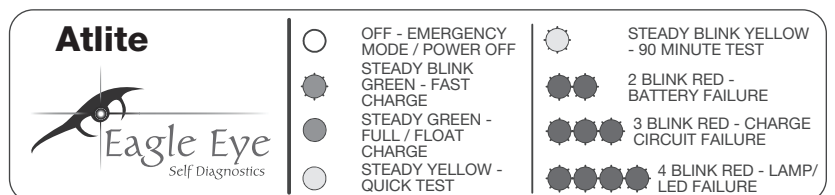
- 10 Second "Installation" test – Press and release the test button once during fast charge (blinking green) to initiate a 10 second quick test. The sign will switch to emergency mode for 10 seconds allowing the installer to verify proper installation of the unit, and the LED indicator will turn solid yellow.
- 30 Second Test - Press and release the test button once during float charge (steady green). The indicator LED will turn steady yellow to indicate the unit is performing a 30 second test of the batteries and lamps/LEDs.
- 90 Minute Test - Press and release the test button a second time during a 30 second test (steady yellow) to change to a 90 minute test. During this test, the LED indicator will change to blinking yellow, and the circuit will perform a full battery capacity, charge circuit, and LED test.
- Canceling Test – Press and release the test button during the 90 minute test (flashing yellow) to return the fixture to its original state (fast charge or float charge)

Clearing Failure Codes

- A battery failure (LED two blink red) can be cleared by replacing the battery. Disconnecting the battery and AC power, or performing a full 90 minute discharge, will reset the error code, however, it will return if the battery is faulty.
- Charge Circuit (LED three blink red) and lamp/LED failure will clear when the unit successfully passes a manual or automatic 30 second test.

Indicators:

- LED Off - No power to unit, emergency mode.
- LED Steady Green - Unit is fully charged and is float charging the battery to maintain readiness.
- LED Green Pulse - Unit is in a 24 hour fast charge of the battery.
- LED Two Blink Red - Battery has failed a capacity test, or the battery is disconnected. See "Clearing Failure Codes" above.
- LED Three Blink Red - Battery charge circuit has failed. See "Clearing Failure Codes" above.
- LED Four Blink Red - Lamps have burned out, or on an EXIT/Combo, 50% or more of the LEDs have failed. See "Clearing Failure Codes" above.
- LED Steady Yellow - 30 second test or 10 second quick test (Fast Charge only).
- LED Blinking Yellow - 90 minute test.



DISCLAIMER OF WARRANTIES AND LIMITATION OF LIABILITY

The information, recommendations, descriptions and safety notations in this document are based on Cooper Lighting Solutions Corporation's ("Cooper Lighting Solutions") experience and judgment and may not cover all contingencies. If further information is required, a Cooper Lighting Solutions sales office should be consulted. Sale of the product shown in this literature is subject to the terms and conditions outlined in appropriate Cooper Lighting Solutions selling policies or other contractual agreement between Cooper Lighting Solutions and the purchaser.

THERE ARE NO UNDERSTANDINGS, AGREEMENTS, WARRANTIES, EXPRESSED OR IMPLIED, INCLUDING WARRANTIES OF FITNESS FOR A PARTICULAR PURPOSE OR MERCHANTABILITY, OTHER THAN THOSE SPECIFICALLY SET OUT IN ANY EXISTING CONTRACT BETWEEN THE PARTIES. ANY SUCH CONTRACT STATES THE ENTIRE OBLIGATION OF COOPER LIGHTING SOLUTIONS. THE CONTENTS OF THIS DOCUMENT SHALL NOT BECOME PART OF OR MODIFY ANY CONTRACT BETWEEN THE PARTIES.

In no event will Cooper Lighting Solutions be responsible to the purchaser or user in contract, in tort (including negligence), strict liability or otherwise for any special, indirect, incidental or consequential damage or loss whatsoever, including but not limited to damage or loss of use of equipment, plant or power system, cost of capital, loss of power, additional expenses in the use of existing power facilities, or claims against the purchaser or user by its customers resulting from the use of the information, recommendations and descriptions contained herein. The information contained in this manual is subject to change without notice.

Cooper Lighting Solutions
1121 Highway 74 South
Peachtree City, GA 30276
P:770-486-4800
www.cooperlighting.com

© 2020 Cooper Lighting Solutions
All Rights Reserved
Printed in USA
Publication No. ADA140172

Cooper Lighting Solutions is a
registered trademark.

All trademarks are property
of their respective owners.

