

AUX Series
Universal Edge-Lit – NYC Compliant

AtLite





Universal Mount Edge-Lit Exit Sign

- All mounting options included with the base unit
 - Surface ceiling
 - Surface wall
 - End
 - Recessed wall
 - Recessed Ceiling
- All panel options included as standard
 - Single or double-sided
 - Clear, mirror or white background
 - Chevron arrows
- Halo® Got Nail® hangar bars for recessed or T-grid installations
- EagleEye™ self-diagnostics are standard
- Aluminum housing available with a variety of finishes
 - Brushed aluminum
 - White
 - Black
- Maintenance-free nickel cadmium battery with fifteen-year pro-rated warranty
- NYC compliant, UL 924 listed
- Dual voltage input 120/277 VAC, 60 Hz
- Five-year warranty

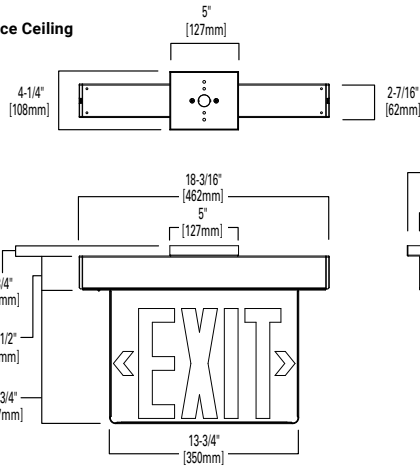
Ordering Information

SAMPLE NUMBER: AUXSWHSD

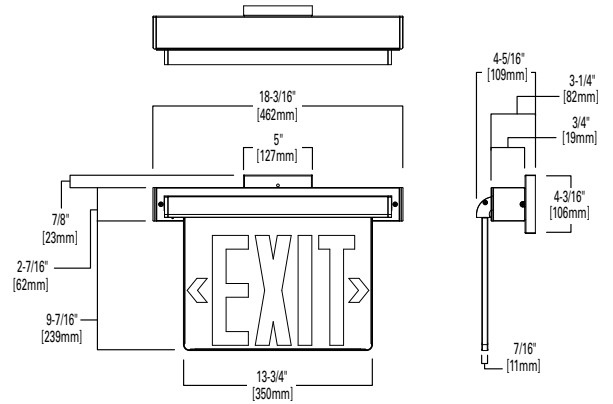
Series	Finish	SD
AUXA=AC only LED AUXS=Self Powered LED AUXFAI=Fire Alarm Interface Module	_=Brushed Aluminum WH=White BK=Black	_=None (AC Only) SD=Self Diagnostics (Self Powered)

Dimensions

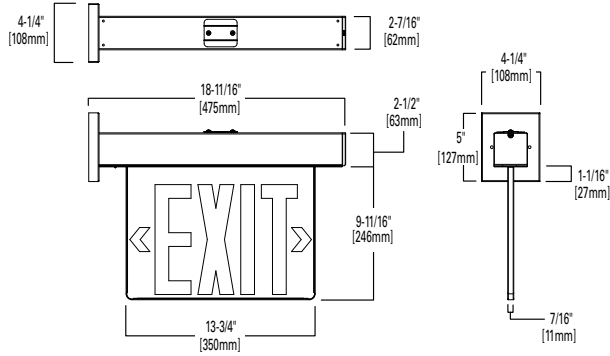
Surface Ceiling



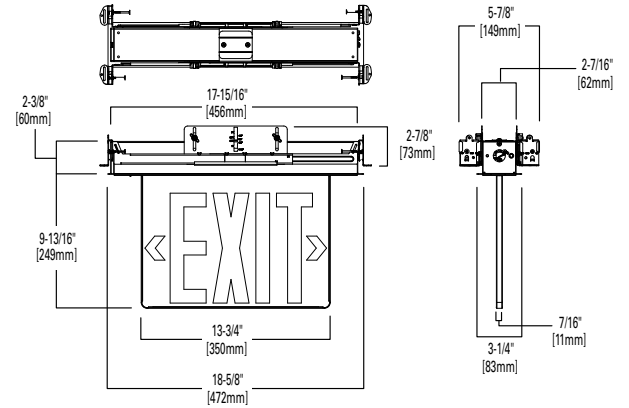
Surface Wall



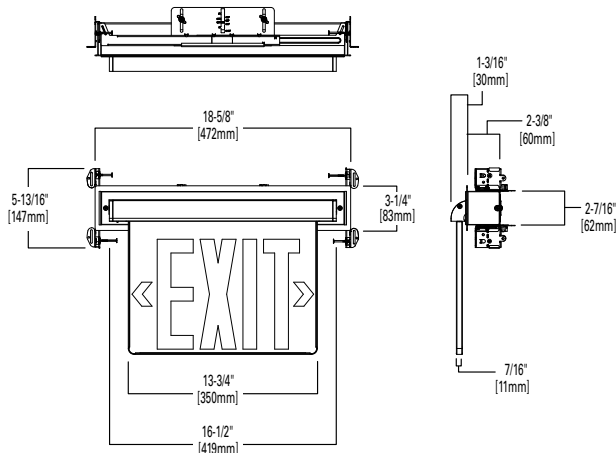
End



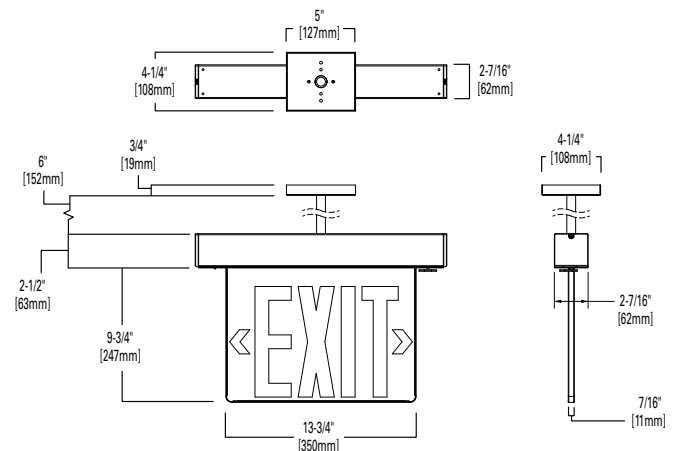
Ceiling



Recessed Wall



With Optional 6" Pendant Kit



Lighting Product Lines

Ametrix
AtLite
Corelite
Ephesus
Fail-Safe
Halo
Halo Commercial
Invue
io
Iris
Lumark
Lumière
McGraw-Edison
Metalux
MWS
Neo-Ray
Portfolio
RSA
Shaper
Streetworks
Sure-Lites

Controls Product Lines

Fifth Light Technology
Greengate
iLight (International Only)
iLumin
Zero 88

Connected Lighting Systems

Distributed Low-Voltage Power
HALO Home
iLumin Plus
Enlighted
WaveLinx
Trellix



Cooper Lighting Solutions
1121 Highway 74 South
Peachtree City, GA 30269
P: 770-486-4800
www.cooperlighting.com

Canada Sales
5925 McLaughlin Road
Mississauga, Ontario L5R 1B8
P: 905-501-3000
F: 905-501-3172

Cooper Lighting Solutions is a registered trademark.

All other trademarks are property of their respective owners.

Product availability, specifications, and compliances are subject to change without notice.

© 2021 Cooper Lighting Solutions
All Rights Reserved
Printed in USA
Publication No. ADX140134
February 12, 2021 11:04 AM