



SWL Series
Industrial-Grade High
Performance Stairwell Fixture

PROJECT INFORMATION

JOB NAME	
FIXTURE TYPE	Stairwell Fixture
CATALOG NUMBER	
APPROVED BY	

SPECIFICATIONS

Construction:

- Housing made of cold rolled die formed steel for strength and durability
- High impact diffuse polycarbonate lens. Meets IK07 impact rating.
- Housing is treated with rust inhibitor post-fabrication. High-reflectance white polyester powder coating maximizes performance.
- Vandal resistant design using tamper-proof hardware
- Dust and insect tight

Optical System:

- Prismatic high-transmission cover lens for optimal performance and visual comfort
- Polycarbonate lens material for maximum impact resistance
- Minimum color rendering index of 80
- Up to 1% enhanced dimming

Electrical:

- High-performance programmable driver features overvoltage, under voltage, short-circuit and over temperature protection. Custom lumen and wattage options available
- Meets FCC Part 15 EMI/EMC requirements
- Bi-level dimming (OFF/ 10%/ 25%/ 50%) standard with integrated ultrasonic sensor IMUS.
- Standard Universal Voltage (120-277 VAC) Input 50/60
- L70 Calculated Life: >100K hours¹
- Total Harmonic Distortion: <20%
- Power factor: >.95
- Optional 120-277V 10W integral emergency battery pack is available to meet critical life-safety standby lighting requirements. Self diagnostic test capable. CEC Title 20 and 24 compliant

Installation:

- Wall or ceiling mount
- Side or top stem mount using trade size knockouts (stem supplied by others)

Warranty:

- Five-year limited warranty

Listings:

- DesignLights Consortium qualified luminaire, eligible for rebates from DLC member utilities. See chart on next page for qualifying products.
- Listed to UL 1598 and UL 8750
- Suitable for damp locations
- BAA/TAA compliant

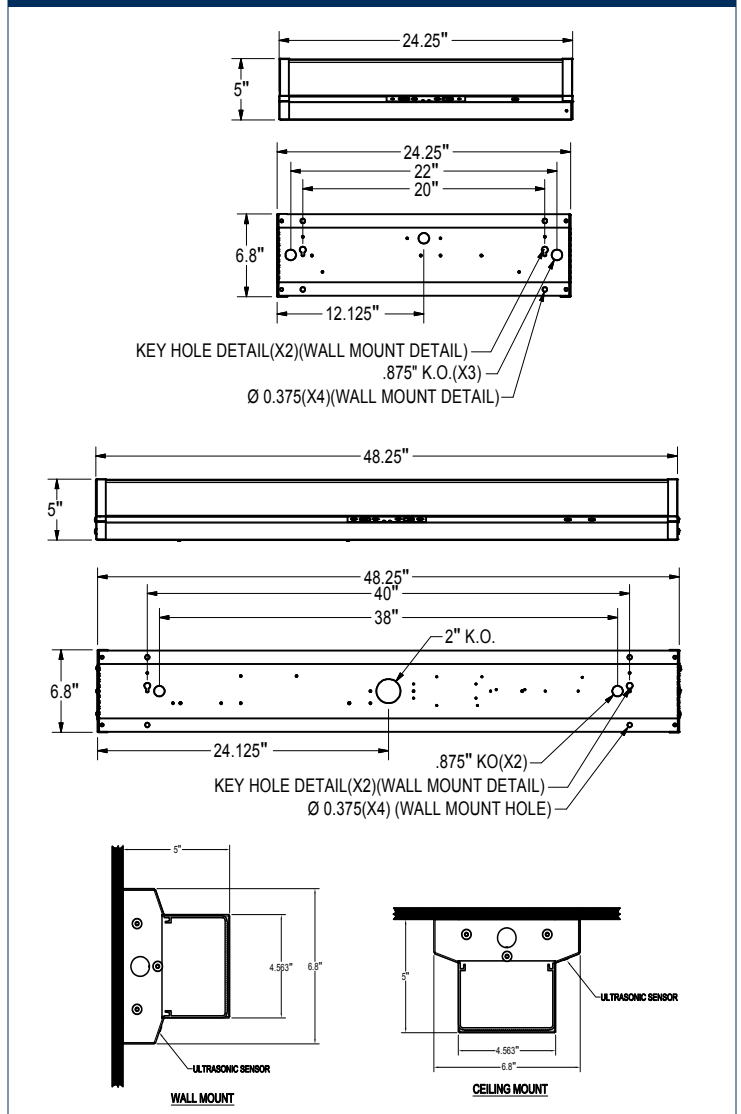


BUY AMERICAN



COMPLIANT*

DIMENSIONS



Rebates and Incentives are available in many areas. Contact an Atlas Representative for more information.

¹LED Life Span Based Upon LM-70 Test Results



SWL Series
Industrial-Grade High
Performance Stairwell Fixture

ORDERING INFORMATION

SWL	2	2L	4K		US	
PRODUCT SERIES	LENGTH	LUMEN PACKAGE	COLOR TEMP.	VOLTAGE	SENSOR	OPTIONS
SWL = Stairwell Light	2 = 2' 4 = 4'	2L = 2,000 Lumens* 3L = 3,000 Lumens* 5L = 5,000 Lumens** 6L = 6,000 Lumens** 8L = 8,000 Lumens** * - Only available in 2' ** - Only available in 4'	35K = 3500K 4K = 4000K 5K = 5000K	Blank = 120-277 4 = 347-480V	US = Ultrasonic Sensor (Standard)	EB = 10W Emergency Backup

PERFORMANCE DATA

LUMEN PACKAGE	LENGTH	3500K		4000K		5000K		WATTAGE	REPLACES UP TO
		DELIVERED LUMENS	EFFICACY	DELIVERED LUMENS	EFFICACY	DELIVERED LUMENS	EFFICACY		
2L	2'	1,918	119	1,968	123	2,032	127	16	70W MH
3L	2'	2,852	124	2,967	129	3,036	132	23	70W MH
5L	4'	4,788	133	5,011	139	5,040	140	36	4L T8 FL
6L	4'	5,720	130	5,940	135	6,028	137	44	4L T8 FL
8L	4'	7,750	125	8,044	129	8,184	132	62	4L T8 FL

DLC PRODUCT INFORMATION

UNIT	LENGTH	3500K		4000K		5000K	
		DLC PRODUCT ID	CLASSIFICATION	DLC PRODUCT ID	CLASSIFICATION	DLC PRODUCT ID	CLASSIFICATION
SWL22L	2'	PX0XLKKX	Premium	P3MQMJZ4	Premium	PXRJZP1Z	Premium
SWL23L	2'	PIV5TQXG	Premium	P44ECUVL	Premium	PCQ5A3Q7	Premium
SWL45L	4'	PA4GZ2KH	Premium	PXEMEY5L	Premium	P93NQE0D	Premium
SWL46L	4'	P4NIIV60	Premium	PT6S3HFH	Premium	P41S0S2Y	Premium
SWL48L	4'	PKNQUNKF	Premium	PGHLFTW9	Premium	PX65DA71	Premium