



SlimPak Pro Wall Lights

PROJECT INFORMATION

JOB NAME	
FIXTURE TYPE	SlimPak Pro
CATALOG NUMBER	
APPROVED BY	

SPECIFICATIONS

Construction:

Designed for commercial and industrial applications, providing cooler operating temperatures, brighter light and longer LED life. Apertures for field or factory installed photocontrol. Hinged at bottom to prevent leakage.

Installation:

Labor saving features including bubble level and removable hinged face frame.

Zero Glare:

The fixture design directs more light down and forward without wasting lumens and offensive light.

Thermal Management:

Atlas SlimPak Pro fixtures are designed as a complete system to optimize LED life and light output. The thermal stacking heat removal technology extracts heat from within the housing moving it away from LEDs and components. The lower temperatures result in long LED life (200,000+ hrs)¹ and component life and also allows for higher light output.

Listings:

Luminaire is certified to UL/cUL Standards for Wet Locations DesignLights Consortium qualified luminaire, eligible for rebates from DLC member utilities. ²See chart on other next page for qualifying products.

IDA Listed (3000K or warmer CCTs only)

AC Input: 120/208/240/277V 347/480V

Operating Range: -40°C to 40°C

Driver:

Constant current, Class 2, 120-277 VAC, 50-60 Hz

High Efficiency – min. 85%

Off-State Power: 0 Watts

0-10 V Dimming

LEDs:

3000K | 4000K | 4500K | 5000K CCT

Epoxy Guard™ protective conformal coated boards

Testing:

Atlas LED luminaires have been tested by an independent laboratory in accordance with IESNA LM-79 & LM-80.

Warranty: Five-year limited warranty

Photo Control: For factory installed 120V button photo control add suffix PC to part number.



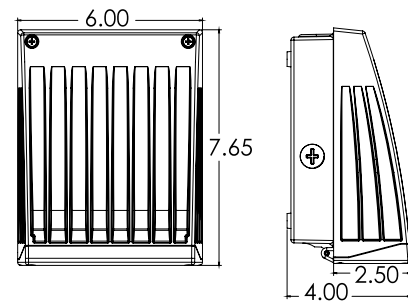
BUY AMERICAN



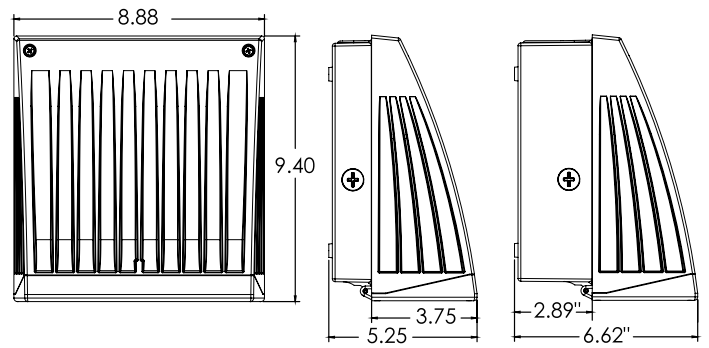
COMPLIANT*

DIMENSIONS

WSPS



WSPL



Deep back housing required for emergency battery back up

¹LED Life Span Based Upon LM-70 Test Results

Atlas Lighting Products, Inc.

PO Box 2348 | Burlington, NC 27216

800-849-8485 | fax: 1-855-847-2794 | www.atlasled.com

Rebates and Incentives are available in many areas.
Contact an Atlas Representative for more information.

*The majority of Atlas Lighting Products are assembled in USA facilities by an American Workforce utilizing both Domestic and Foreign components. Meets Buy American requirements within the ARRA.



SlimPak Pro
Small Wall Light



ORDERING INFORMATION

WSPL	60LED					
PRODUCT SERIES	WATTAGE	COLOR TEMP.	CONTROLS	VOLTAGE	FIXTURE COLOR	OPTIONS
WSPS = Small SlimPak Pro WSPL = Large SlimPak Pro	12LED = 12 Watts ¹ 20LED = 20 Watts ¹ 40LED = 40 Watts ¹ 60LED = 60 Watts ² 80LED = 80 Watts ²	Blank = 4500K 3K = 3000K 4K = 4000K 5K = 5000K	Blank = Dimming (0-10V) PC = 120V Photocontrol PM = 120-277V Photocontrol	Blank = 120-277 4 = 480	Blank = Bronze WT = White* BK = Black* <i>*optional with adder</i>	EB = Emergency Back-up* <i>*40W & 60W only</i>
						¹ WSPS only ² WSPL only

PERFORMANCE DATA

UNIT	CRI	3000K CCT		4000K CCT		4500K CCT		5000K CCT		WATTAGE	REPLACES UP TO
		DELIVERED LUMENS	EFFICACY (LPW)	DELIVERED LUMENS	EFFICACY (LPW)	DELIVERED LUMENS	EFFICACY (LPW)	DELIVERED LUMENS	EFFICACY (LPW)		
WSPS12LED	83	1,206	98	1,206	98	1,326	108	1,366	111	12	70W MH
WSPS20LED	83	2,125	107	2,125	107	2,228	110	2,418	122	20	100W MH
WSPS40LED	83	3,712	100	3,712	100	4,047	106	4,394	116	38	175W MH
WSPL60LED	83	6,513	112	6,513	112	6,635	113	7,401	128	58	250W MH
WSPL80LED	83	8,060	106	8,060	106	8,396	108	9,332	122	76	400W MH

DLC PRODUCT INFORMATION

UNIT	3000K CCT		4000K CCT		4500K CCT		5000K CCT	
	DLC PRODUCT ID	CLASSIFICATION	DLC PRODUCT ID	CLASSIFICATION	DLC PRODUCT ID	CLASSIFICATION	DLC PRODUCT ID	CLASSIFICATION
WSPS12LED	P2J5LCDD	Standard	PUNWXFUV	Standard	PUHOILPX	Standard	PJ30AFPE	Standard
WSPS20LED	P0UYUSJ3	Standard	PMS4BPUC	Standard	PM2MG7HW	Standard	PFO3MGLQ	Standard
WSPS40LED	PYV6V815	Standard	P4XP2HAK	Standard	P894U7BK	Standard	PW41S8M6	Standard
WSPL60LED	PHYWFBE1	Standard	PBD2RV0T	Standard	PUX6TFU8	Standard	PF4912ZF	Standard
WSPL80LED	P7HV6CHA	Standard	PCKBXTFW	Standard	PM5B953N	Standard	P19N8A75	Standard