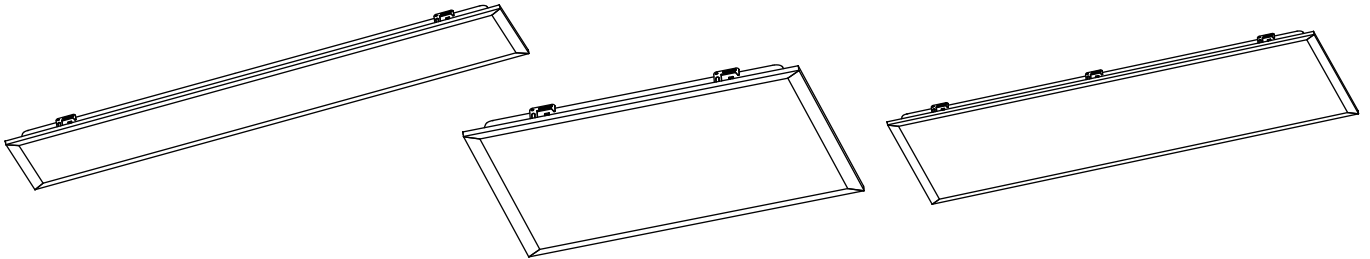


## Selectable LED Panel

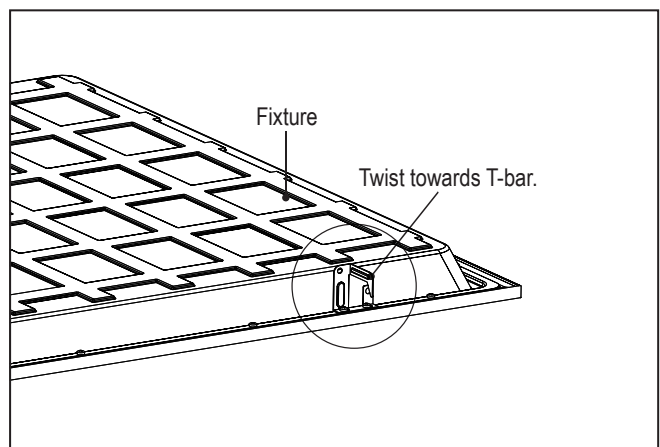
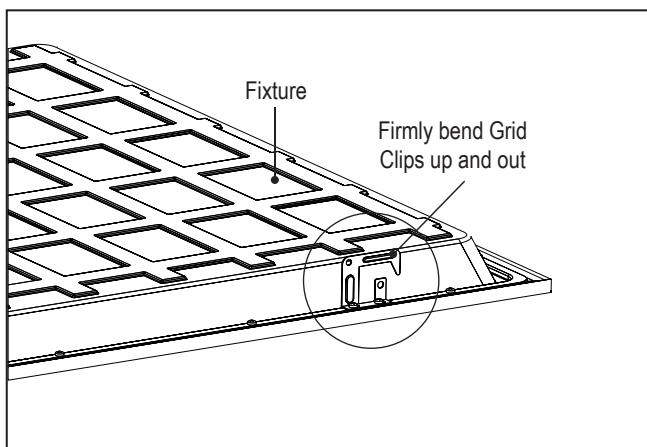
1'x4' | 2'x2' | 2'x4'



### WARNING:

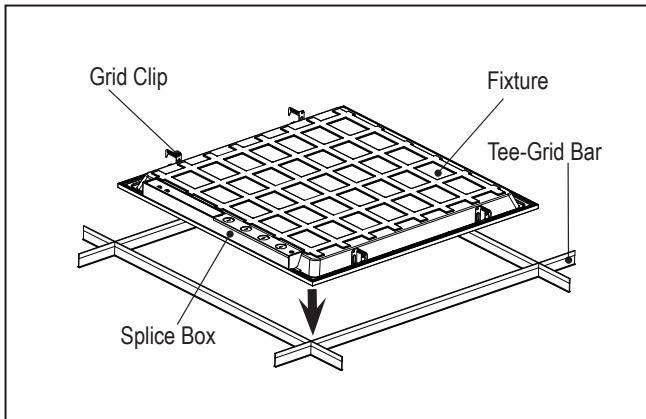
- Fixtures must be wired in accordance with the National Electrical Code and all applicable local codes. Proper grounding is required for safety.
- This product must be installed in accordance with the applicable installation code by a person familiar with the construction and operation of the product and the hazards involved.
- Make certain power is OFF before installing or maintaining fixture. No user serviceable parts inside.
- Risk of fire or electric shock. Suitable for Damp locations.
- Suitable for 9/16" or 15/16" Flat Tee Grid in both Insulated Ceilings and Non-Insulated Ceilings. Access above ceiling required.
- Do not handle energized fixture when hands are wet, when standing on wet or damp surfaces, or in water.
- Vapor barrier must be suitable for 90° C.
- Fixture to be independently supported to building structure.

### INSTALLATION METHOD

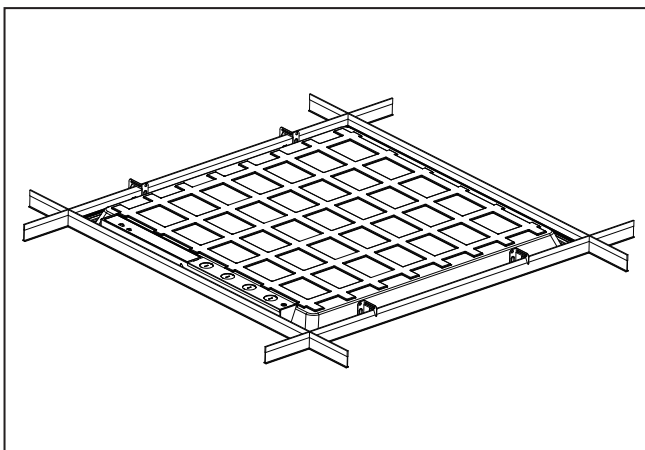
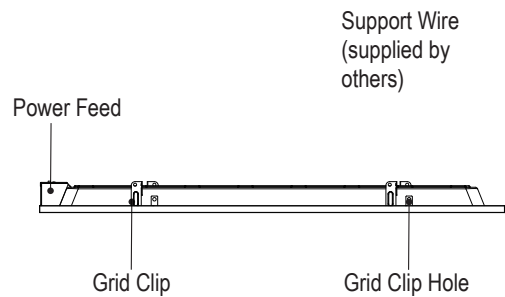


## Selectable LED Panel

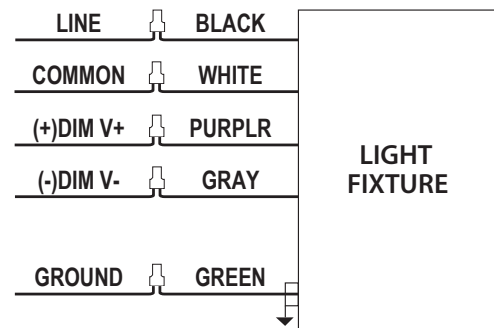
### 1'x4' | 2'x2' | 2'x4'



Support the Fixture to the building structure by Support Wires (supplied by others) through the Grid Clip Hole.



#### 1-10V DIMMABLE WIRING



#### LUMEN AND CORRELATED COLOR TEMPERATURE SELECTABLE INSTRUCTIONS

Different lumen and correlated color temperature levels can be achieved by setting the switch on the driver cover to different positions.

