



MODEL #: ORLB2L4K

UPC #: 765364027116

# Large Bullet Flood



## Specifications

### Electrical Specifications

- Input Wattage: 20W
- Efficacy: 105 LpW
- AC Input: 120/208/240/277 V
- Driver: Constant current, Class 2, 120-277VAC 50/60Hz

### Lighting Specifications

- Total Lumens: 2,047
- Color Temperature: 4000K
- Color Rendering Index: 70

### Housing Specifications

- Die-cast aluminum housing
- UV stabilized power coated finish
- Color: Bronze
- Lifespan: 50,000 hours

### Lens Specifications

- Integral glare shield and tempered glass lens

### Listings

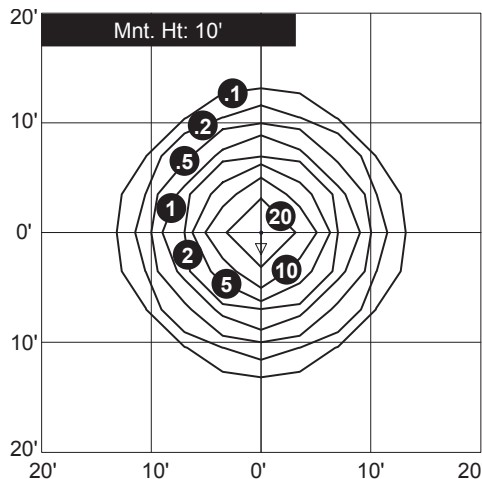
- UL/cUL standards for wet locations

### Warranty

- 5-Year limited warranty

Model	Watts	Lumens	Volts	Color Temp.
ORLB2L4K	20 LED	2,047	120-277	4000K

## Photometrics



Light Loss Factor	1.00
Total Lumens	2047
Mounting Height	10'
Max. Calculated Value	51.32 Fc



# origin

BY ATLAS  
LIGHTING

PROJECT INFORMATION

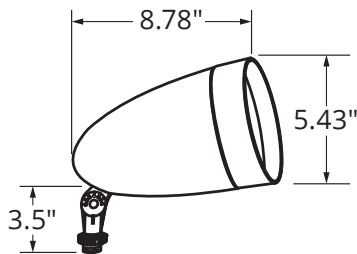
MODEL #: ORLB2L4K

UPC #: 765364027116

## Large Bullet Flood

### Dimensions

#### Product Dimensions



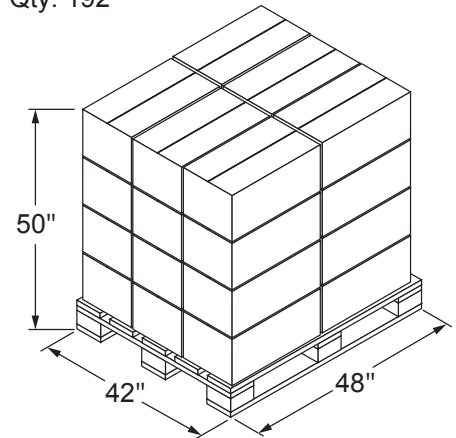
#### Carton Dimensions

Weight: 3.13 lbs.



#### Pallet Dimensions

Qty: 192



### Installation

- Before starting ensure that the power is disconnected.
- Unpack fixture and ensure that there are no damaged parts.
- This fixture is supplied with a knuckle bracket for surface mounting.
- The knuckle is a  $\frac{1}{2}$ " NPS thread with a locking nut.
- Seal thread with Teflon tape or silicone sealant prior to installation.
- Secure fixture to conduit thread.
- When the fixture is secured loosen the knuckle bolt to aim fixture to a desired angle.
- Tighten knuckle screw when desired angle is achieved.

