



# Flood Lights

Optic | Extra-Wide | Extreme

## PROJECT INFORMATION

JOB NAME	
FIXTURE TYPE	Flood Light
CATALOG NUMBER	
APPROVED BY	

## SPECIFICATIONS

### Construction:

Designed for commercial and industrial applications, providing cooler operating temperatures, brighter light and longer LED life. Apertures for field or factory installed photocontrol. Heavy duty knuckle with 90° adjustment standard. Heavy duty trunnion mount also available.

### Optics:

Atlas optic flood lights utilize individual lenses for maximum light intensity. These lenses are made of optical grade acrylic. This guarantees more footcandles, less glare and less wasted light.

### Extra Wide Distribution Pattern:

Designed to provide maximum light spread for short set backs when lighting signs and washing walls.

### Reduced Glare:

Positioning of the LED modules within the housing result in light directed to desired locations and reduces offensive light.

### Thermal Management:

Atlas Flood Lights are designed as a complete system to optimize LED life and light output. The Patent Pending thermal stacking heat removal technology extracts heat from within the housing moving it away from LEDs and components. The lower temperatures result in long LED life (200,000+ hrs<sup>1</sup>) and component life and also allows for higher light output.

### Listings:

Luminaire is certified to UL/cUL Standards for Wet Locations DesignLights Consortium qualified luminaire, eligible for rebates from DLC member utilities. <sup>2</sup>See chart on other last page for qualifying products.

**AC Input:** 120/208/240/277V

### Driver:

Constant current, Class 2, 120-277 VAC, 50-60 Hz  
High Efficiency – min. 84%  
Off-State Power: 0 Watts  
0-10 V Dimming

### LEDs:

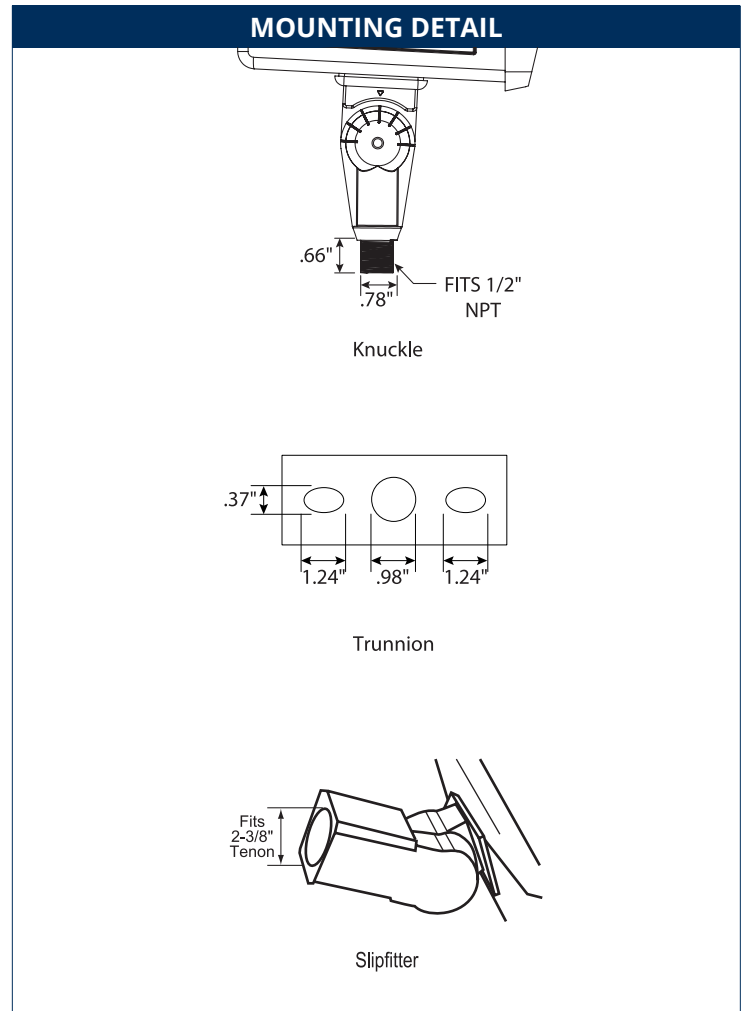
3000K | 4000K | 4500K | 5000K CCT  
Epoxy Guard™ protective conformal coated boards

### Testing:

Atlas LED luminaires have been tested by an independent laboratory in accordance with IESNA LM-79 & LM-80.

**Warranty:** Five-year limited warranty

**Photo Control:** For factory installed 120V button photo control add suffix PC to part number.



<sup>1</sup>LED Life Span Based Upon LM-70 Test Results

Rebates and Incentives are available in many areas.  
Contact an Atlas Representative for more information.

\*The majority of Atlas Lighting Products are assembled in USA facilities by an American Workforce utilizing both Domestic and Foreign components. Meets Buy American requirements within the ARRA.



# Flood Lights

Optic | Extra-Wide | Extreme

## ORDERING INFORMATION

PFS	DISTRIBUTION	22LED	COLOR TEMP.	CONTROLS	VOLTAGE	FIXTURE COLOR	MOUNTING	OPTIONS
PFS - Small	Blank - Wide (with Optics) XW - Extra Wide	22LED = 22 System Watts <sup>1</sup> 27LED = 27 System Watts <sup>2</sup>	Blank = 4500K 3K = 3000K 4K = 4000K 5K = 5000K	Blank = Dimming (0-10V) PC = 120V Photocontrol PM = 120-277V Photocontrol PR = Photo Receptacle*  *Not available on PFS, PFM, PFL	Blank = 120-277 4 = 347-480V*  *Not available on PFS	Blank = Bronze WT = White* BK = Black*  *optional with adder	Blank = Knuckle <sup>1</sup> T = Trunnion <sup>1</sup> Blank = Trunnion <sup>2</sup> S = Slipfitter <sup>2</sup>  <sup>1</sup> PFS, PFM only <sup>2</sup> PFL, PFL2G, PFXL2G only	SP = Surge Protection*  *Not available on PFS
PFM - Medium		43LED = 43 System Watts <sup>1,2</sup> 64LED = 64 System Watts <sup>1</sup>						
PFL - Large		84LED = 84 System Watts <sup>1</sup> 86LED = 86 System Watts <sup>2</sup> 102LED = 102 System Watts <sup>2</sup> 126LED = 126 System Watts <sup>1</sup>						
PFL2G - Large (2nd Generation)		H = Extreme High Wattage (with Optics) 20L = 20,000 Lumens <sup>1,2</sup> 25L = 25,000 Lumens <sup>1,2</sup>						
PFXL2G - Extra Large (2nd Generation)		XW - Extra Wide 33L = 33,000 Lumens <sup>1,2</sup> 40L = 40,000 Lumens <sup>1,2</sup> 50L = 50,000 Lumens <sup>1,2</sup>						

<sup>1</sup>Wide/H only | <sup>2</sup>Extra-wide only

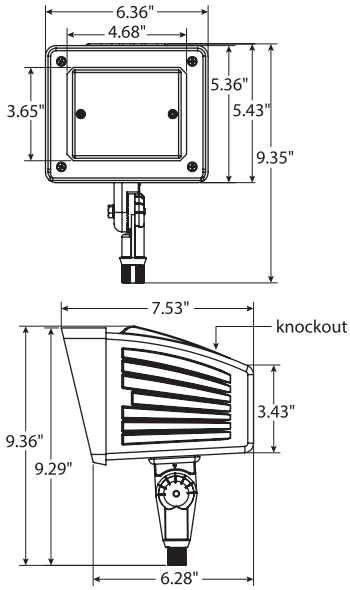
## PERFORMANCE DATA

UNIT	CRI	3000K CCT		4000K CCT		4500K CCT		5000K CCT		WATTAGE	REPLACES UP TO
		DELIVERED LUMENS	EFFICACY (LPW)	DELIVERED LUMENS	EFFICACY (LPW)	DELIVERED LUMENS	EFFICACY (LPW)	DELIVERED LUMENS	EFFICACY (LPW)		
<b>Optic</b>											
PFS22	70	1,978	93	1,978	93	1,978	93	2,194	103	21	100W MH
PFM43	70	4,010	97	4,010	97	4,010	97	4,343	105	41	175W MH
PFL84	70	7,929	100	7,929	100	7,929	100	8,901	112	79	400W MH
PFL126	70	12,500	103	12,500	103	14,340	119	13,665	111	123	400W MH
PFL2GH20L	70	20,200	142	21,338	150	21,338	150	21,534	152	142	400W MH
PFL2GH25L	70	24,840	138	26,240	147	26,240	147	26,480	148	181	1000W MH
PFXL2GH33L	70	31,190	143	32,849	150	32,849	150	33,408	153	219	1000W MH
PFXL2GH40L	70	37,020	139	38,989	147	38,989	147	39,653	149	266	1000W MH
PFXL2GH50L	70	47,390	132	49,910	141	49,910	141	50,760	142	359	1000W MH
<b>Extra Wide</b>											
PFSXW27	80	3,132	114	3,132	114	3,132	114	3,261	118	28	100W MH
PFMXW43	80	5,025	116	5,025	116	5,025	116	5,229	121	43	175W MH
PFLXW86	80	10,730	121	10,730	121	10,730	121	11,140	126	89	400W MH
PFLXW102	80	12,720	125	12,720	125	12,720	125	13,090	129	101	400W MH
PFL2GXW20L	70	20,540	144	20,540	144	20,540	144	21,750	153	142	400W MH
PFL2GXW25L	70	25,040	139	25,040	139	25,040	139	25,040	139	180	1000W MH
PFXL2GXW33L	70	33,210	151	33,210	151	33,210	151	33,210	151	220	1000W MH
PFXL2GXW40L	70	39,430	148	39,430	148	39,430	148	39,430	148	267	1000W MH
PFXL2GXW50L	70	50,130	141	50,130	141	50,130	141	50,130	141	357	1000W MH

### DIMENSIONS

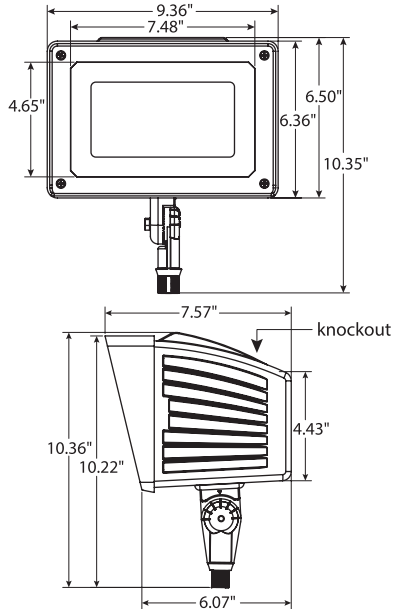
#### PFS

**Weight:** 7 lbs.  
**EPA:** 0.33



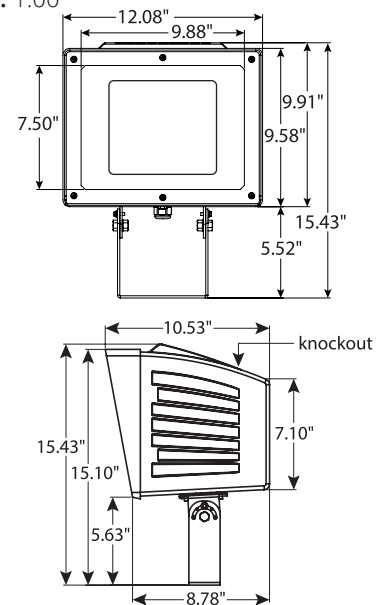
#### PFM

**Weight:** 10 lbs.  
**EPA:** 0.47



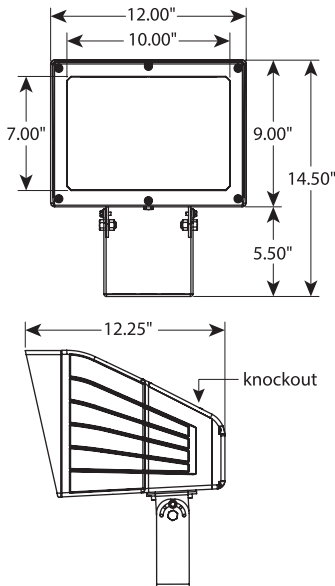
#### PFL

**Weight:** (with Trunnion) 20 lbs.  
(with Slipfitter) 21 lbs.  
**EPA:** 1.00



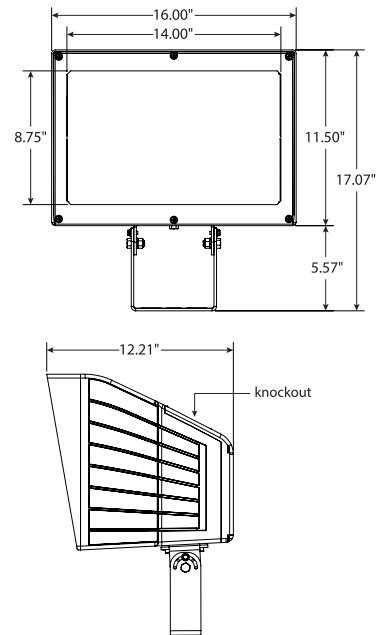
#### PFL2G

**Weight:** (with Trunnion) 20 lbs.  
(with Slipfitter) 21 lbs.  
**EPA:** 1.00



#### PFXL2G

**Weight:** (with Trunnion) 30 lbs.  
(with Slipfitter) 31 lbs.  
**EPA:** 1.29





**Flood Lights**  
Optic | Extra-Wide | Extreme

**DLC PRODUCT INFORMATION**

UNIT	3000K CCT		4000K CCT		4500K CCT		5000K CCT	
	DLC PRODUCT ID	CLASSIFICATION	DLC PRODUCT ID	CLASSIFICATION	DLC PRODUCT ID	CLASSIFICATION	DLC PRODUCT ID	CLASSIFICATION
<b>Optic</b>								
PFS22	n/a	n/a	PU6VKAK3	Standard	P0000053U	Standard	P550R0NT	Standard
PFM43	n/a	n/a	PU8IIKR4	Standard	P0000053V	Standard	PBE0VYUZ	Standard
PFL84	PUINNAA	Standard	PRLWXBCN	Standard	P0000053W	Standard	PGL0S1G1	Standard
PFL126	P5GL6MJM	Standard	P8HIJ4ST	Standard	PUQ6YWA7	Premium	P59J2HB0	Standard
PFL2GH20L	P9DPY9A8	Premium	PXYLAN2V	Premium	PXVX6GOY	Premium	PPMF1TG3	Premium
PFL2GH25L	PAOZ3UX6	Standard	P9D3MG0T	Standard	P7DB3PMC	Standard	P45HS3BQ	Standard
PFXL2GH33L	P21MYCMQ	Standard	PPHKNRV6	Standard	PHA1Z49A	Standard	P53FHFBV	Standard
PFXL2GH40L	P5FNN10Y	Standard	PL90OHII	Standard	PZ73ACRC	Standard	PEEK7ES	Standard
PFXL2GH50L	PI5RM3HT	Standard	PTK83KDD	Standard	PJA8IFTB	Standard	PK9GAGSY	Standard
<b>Extra Wide</b>								
PFSXW27	PAYQD7J8	Standard	P94MDVVZ	Standard	P87AHLDJ	Standard	PT6Z0U5F	Premium
PFMXW43	P825UL5Y	Standard	PPGDYG1Y	Standard	P22PSA1E	Standard	PR4TUEWL	Premium
PFLXW86	n/a	n/a	n/a	n/a	n/a	n/a	n/a	n/a
PFLXW102	n/a	n/a	n/a	n/a	n/a	n/a	n/a	n/a
PFL2GXW20L	PJDFFSCH	Premium	PQ27J8OP	Premium	P8Y4OK29	Premium	PM79G31X	Premium
PFL2GXW25L	PWQYIBGY	Standard	P8L3DDB0	Standard	PKRX0DR9	Standard	PMARR9HA	Standard
PFXL2GXW33L	PUZUQSMG	Standard	PNOFAYZX	Standard	P72CGKXB	Standard	PYE73KJF	Standard
PFXL2GXW40L	PDRO14D5	Standard	PTQDRWWT	Standard	P0OBNMM	Standard	PPYNOR9N	Standard
PFXL2GXW50L	PWQYIBGY	Standard	P8L3DDB0	Standard	PKRX0DR9	Standard	PMARR9HA	Standard