



Dual Deal Pole Combo

Eagle Series Area Light and
Straight Steel Pole Combo



PROJECT INFORMATION

JOB NAME	
FIXTURE TYPE	Eagle Area Light & Pole Combo
CATALOG NUMBER	
APPROVED BY	

EAGLE SPECIFICATIONS

Construction:

Designed for commercial and industrial applications, providing cooler operating temperatures, brighter light and longer LED life. The die cast aluminum housing utilizes external airflow fins allow for greater heat dissipation. The easy access driver compartment is a thermally independent compartment, separate from LED generated heat, for cooler operation and longer driver life.

Optics:

Atlas Eagle Series fixtures utilize precision engineered individual lenses for maximum light intensity. The lens is made of optical grade polycarbonate. Advanced one piece optic board engineered for maximum light intensity. Types III, V and Forward Throw distributions are available.

Mounting:

The easy mount bracket makes installation to any style pole quick and easy. Tenon and other mounting accessories also available.

Thermal Management:

Atlas Eagle Series Pro fixtures are designed as a complete system to optimize LED life and light output. The thermal stacking heat removal technology extracts heat from within the housing moving it away from LEDs and components. The lower temperatures result in long LED life (200,000+ hrs¹) and component life and also allows for higher light output.

Listings:

Luminaire is certified to UL/cUL Standards for Wet Locations.

AC Input: 120/208/240/277/347/480 V

Driver:

Constant current, 120-277 VAC, 50-60 Hz
High Efficiency – min. 88%
O-State Power: 0 Watts
0-10 V Dimming

LEDs:

Available in 4000K, 4500K and 5000K, CCT
Epoxy Guard™ protective conformal coated boards

Reduced Glare:

Positioning of the LED modules within the housing result in light directed to desired locations and reduces offensive light.

Testing:

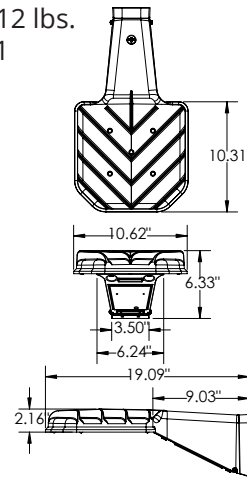
Atlas LED luminaires have been tested by an independent laboratory in accordance with IESNA LM-79 & LM-80.

Warranty: Five-year limited warranty

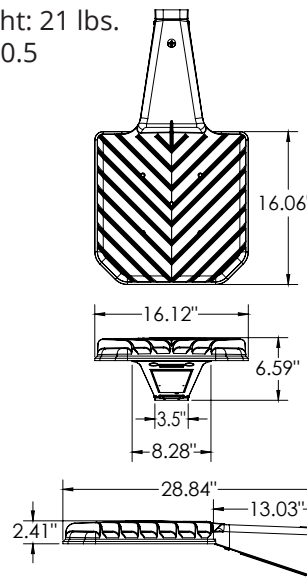


DIMENSIONS

Weight: 12 lbs.
EPA: 0.51



Weight: 21 lbs.
EPA: 0.5



Rebates and Incentives are available in many areas.
Contact an Atlas Representative for more information.

¹LED Life Span Based Upon LM-80 Test Results

POLE SPECIFICATIONS

Pole Shaft:

- Straight pole is 4" square.
- Pole shaft is electro-welded ASTM-A500 Grade C steel tubing with a minimum yield strength of 50,000 psi.

Hand-Hole:

- Standard hand-hole location is 12" above pole base.
- 12' pole has a 2" x 4" non-reinforced hand-hole.
- 20' pole has a 2" x 4" non-reinforced hand-hole.
- 25' pole has a 3" x 6" reinforced hand-hole.

Base:

- Pole base is ASTM-A36 hot-rolled steel plate with a minimum yield strength of 36,000 psi.
- Two-piece square base cover is optional.

Anchor Bolts:

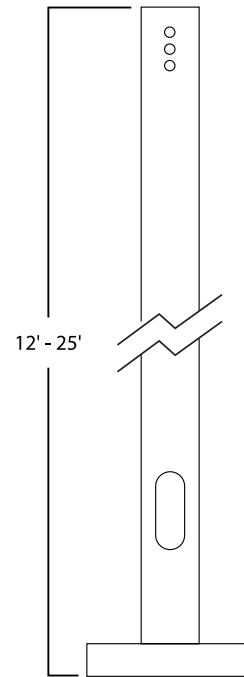
- Poles are furnished with anchor bolts featuring zinc-plated double nuts and washers. Galvanized anchor bolts are optional.
- Anchor bolts conform to ASTM F 1554-07a Grade 55 with a minimum yield strength of 55,000 psi.

Ground Lug:

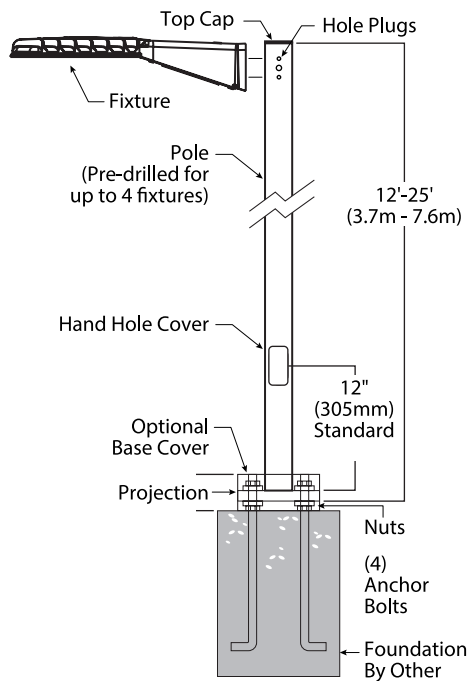
- Ground lug is standard.



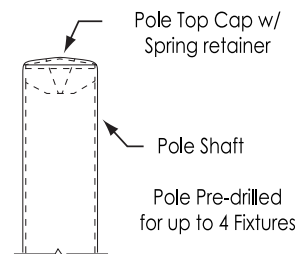
POLE DIMENSIONS



POLE DETAILS



POLE TIP DETAILS





Dual Deal Pole Combo

Eagle Series Area Light and
Straight Steel Pole Combo



ORDERING INFORMATION

PXSLPM	3	18L	1	40	4SQ20		
PRODUCT SERIES	DISTRIBUTION	LUMEN PACKAGE	QUANTITY	COLOR TEMP.	SQUARE STRAIGHT POLE	FIXTURE COLOR	ANCHOR BOLTS
PXSLPS = Small Eagle/Pole Combo PXSLPM = Medium Eagle/Pole Combo	3 = Type 3 ¹ 5 = Type 5 FT = Forward Throw ¹ PXSLPM only	6-12L = 6,000-12,000 Selectable Lumens ¹ 18L = 18,000 Lumens ² 24L = 24,000 Lumens ² 43L = 43,000 Lumens ² 50L = 50,000 Lumens ² ¹ PXSLPS only ² PXSLPM only	1 = Single Head 2 = Double Head @ 180° 3 = Triple Head @ 90° 4 = Quad @ 90°	40 = 4000k 45 = 4500k 50 = 5000k	4SQ12 = 4", 12 feet steel 11-gauge ¹ 4SQ15 = 4", 15 feet steel 11-gauge ¹ 4SQ20 = 4", 20 feet steel 11-gauge ² 4SQ25 = 4", 25 feet steel 11-gauge ² ¹ PXSLPS only ² PXSLPM only	Blank = Bronze	Blank = with anchor bolts/template LAB = Less anchor bolts/template

EAGLE PERFORMANCE DATA

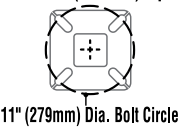
LUMEN PACKAGE	DISTRIBUTION	CRI	4000K CCT		4500K CCT		5000K CCT		WATTAGE	REPLACES UP TO
			DELIVERED LUMENS	EFFICACY (LPW)	DELIVERED LUMENS	EFFICACY (LPW)	DELIVERED LUMENS	EFFICACY (LPW)		
PXSLPS										
6L-12L	FT	70	5,899	140	5,859	139	5,859	139	42	250W MH
	T5	70	5,812	138	5,812	138	5,812	138		
	FT	70	8,743	138	8,684	137	8,684	137	63	
	T5	70	8,614	136	8,614	136	8,614	136		
	FT	70	11,488	134	11,410	133	11,410	133	86	
	T5	70	11,319	132	11,319	132	11,319	132		
PXSLPM										
18L	T3	70	19,489	160	18,493	152	18,493	152	122	400W MH
	FT	70	19,182	157	18,201	149	18,201	149		
	T5	70	19,650	161	18,645	153	18,645	154		
24L	T3	70	25,425	149	24,125	141	24,125	141	171	400W MH
	FT	70	25,025	146	23,745	139	23,745	139		
	T5	70	25,635	150	24,324	142	24,324	142		
43L	T3	70	42,070	153	41,575	151	41,575	151	275	1000W MH
	FT	70	41,617	151	41,127	150	41,127	150		
	T5	70	42,470	154	41,970	152	41,970	152		
50L	T3	70	49,190	148	48,324	145	48,324	145	333	1000W MH
	FT	70	47,891	144	47,048	142	47,048	142		
	T5	70	49,524	149	48,652	146	48,652	146		

POLE DATA





MOUNTING HEIGHT LENGTH (FT)	CATALOG NUMBER	SHAFT			POLE BASE			MAXIMUM LOADING									
		BASE O.D. (IN)	WALL THK. (GA)	GROSS WEIGHT (LBS)	BOLT CIRCLE RANGE	PLATE WIDTH (IN)	PLATE THICK (IN)	110 MPH	115 MPH	120 MPH	130 MPH	140 MPH	150 MPH	160 MPH	170 MPH	180 MPH	
								EPA (FT ²)	EPA (FT ²)	EPA (FT ²)	EPA (FT ²)	EPA (FT ²)	EPA (FT ²)	EPA (FT ²)	EPA (FT ²)	EPA (FT ²)	EPA (FT ²)
12	SSS12411BZ	4	11	90	8" - 11"	10.125	0.75	13.9	12.5	11.3	9.2	7.6	6.3	5.2	4.3	3.6	
15	SSS15411BZ	4	11	113	8" - 11"	10.125	0.75	8.2	7.2	6.4	4.9	3.8	2.9	2.1	1.5	1.0	
20	SSS20411BZ	4	11	150	8" - 11"	10.125	0.75	4.6	3.9	3.2	2.1	1.2	0.6	n/a	n/a	n/a	
25	SSS25411BZ	4	11	188	8" - 11"	10.125	0.75	4.6	3.7	3	1.7	0.7	n/a	n/a	n/a	n/a	



BOLT CIRCLE

	<p>4" (102mm) square 10-1/8" (257mm) sq.</p>  <p>11" (279mm) Dia. Bolt Circle</p>
Bolt Circle	Slotted 8" - 11"
Anchor Bolt Size	0.75" x 30"
Anchor Bolt Projection	3.25"
Base Plate Opening for Wireway Entry	3.625"
Base Plate Dimensions	10.125" sq. x 3/4" thk.
Pole Gauge	11

EPA

FIGURE 1	CONFIGURATION	EPA
	Single	0.6
	2 @ 180°	0.7
	3 @ 90°	2.1
	4 @ 90°	2.1