



# Classic Series Large Wall Light

## PROJECT INFORMATION

JOB NAME	
FIXTURE TYPE	Classic Large Wall Light
CATALOG NUMBER	
APPROVED BY	

## SPECIFICATIONS

### Construction:

Rugged traditional aluminum die cast housing provides proven environmental protection for LED modules. Traditional fixture designs provide a familiar look and standard installation requirements. Retaining this look allows the ability to upgrade fixtures gradually, while retaining the same overall fixture appearance throughout a facility.

### Glare Free:

Positioning of the LED modules within the housing result in light directed to desired locations and eliminates offensive light.

### Lens:

Lens assembly is designed to provide high efficiency and to target the light where needed to satisfy outdoor lighting requirements.

Positioning of the LEDs (along with Patent Pending thermal management system) results in the light being directed to desired locations eliminating glare and offensive light.

### Listings:

Luminaire is certified to UL/cUL Standards for Wet Locations DesignLights Consortium qualified luminaire, eligible for rebates from DLC member utilities. <sup>2</sup>See chart on other next page for qualifying products.

**AC Input:** 120/208/240/277V 347/480V

**Lifespan:** 200,000+ hrs.<sup>1</sup>

### Driver:

Constant current, Class 2, 120-277 VAC, 50-60 Hz  
High Efficiency – min. 86%

### Selectable Lumens and CCT:

Atlas selectable wall lights are quick and easy to select and set up. Selectable lumens range in 4,000 (30W), 7,500 (57W) / 11,000 (86W), 13,000 (102W).

Selectable CCTs: 4000K, 4500K, and 5000K.

### LEDs:

Available in 3000K, 4000K, 4500K and 5000K CCT Fixed | 4000K, 4500K, 5000K CCT Selectable

Atlas LEDs provide higher lumen output, greater energy efficiency and more reliable fixture performance.

### Reduced Glare:

Positioning of the LED modules within the housing result in light directed to desired locations and reduces offensive light.

### Testing:

Atlas LED luminaires have been tested by an independent laboratory in accordance with IESNA LM-79 & LM-80.

**Warranty:** Five-year limited warranty

### Installation:

Fixture retains the same knock-out sizes and positions as previous models, reducing wiring costs.

**Emergency Back-up:** For factory installed Emergency Back-Up add suffix EB to part number.

<sup>1</sup>LED Life Span Based Upon LM-70 Test Results

<sup>2</sup>Emergency Back-Up requires larger back housing. Contact Atlas for more details.



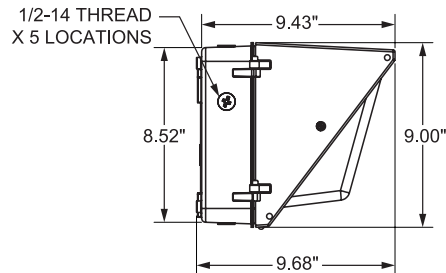
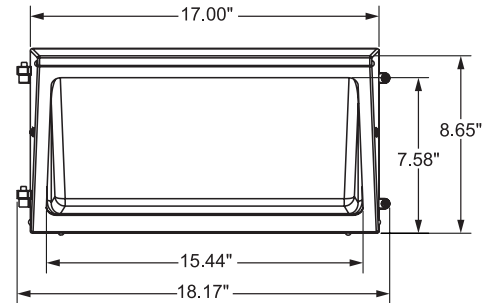
BUY AMERICAN



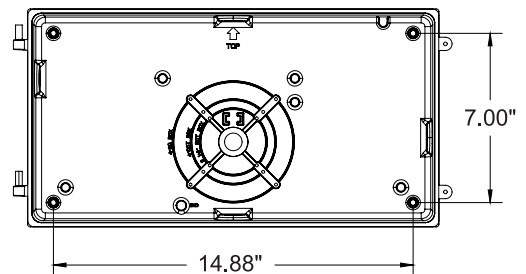
COMPLIANT\*

## DIMENSIONS

Weight: 9.25 lbs.



## MOUNTING DETAIL



Rebates and Incentives are available in many areas. Contact an Atlas Representative for more information.

\*The majority of Atlas Lighting Products are assembled in USA facilities by an American Workforce utilizing both Domestic and Foreign components. Meets Buy American requirements within the ARRA.

Atlas Lighting Products, Inc.

PO Box 2348 | Burlington, NC 27216

800-849-8485 | fax: 1-855-847-2794 | www.atlasled.com



**Classic Series**  
Large Wall Light



**ORDERING INFORMATION**

WLD	S	4-13L					
PRODUCT SERIES	SELECTABLE	LUMEN PACKAGE	COLOR TEMP.	CONTROLS	VOLTAGE	FIXTURE COLOR	OPTIONS
WLD = Large Wall Light	blank = Fixed	64LED = 64 Watts 86LED = 86 Watts 120LED = 120 Watts	Blank = 4500K 3K = 3000K 4K = 4000K 5K = 5000K	Blank = Dimming (0-10V) PC = 120V Photocontrol PM = 120-277V Photocontrol	Blank = 120-277 4 = 347/480* <i>*LP only</i>	Blank = Bronze WT = White* BK = Black* <i>*optional with adder</i>	EB = Emergency Back-up SP = Surge Protection
	S = Selectable	4-13L = 4,000, 7,500, 11,000 13,000 Lumens Selectable	blank = Selectable (4000K, 4500K, 5000K)	blank = 120-277V Photocontrol Installed LP = Less Photocontrol	Blank = 120-277 4 = 347/480* <i>*LP only</i>		

**PERFORMANCE DATA**

FIXED											
UNIT	CRI	3000K CCT		4000K CCT		4500K CCT		5000K CCT		WATTS	REPLACES UP TO
		DELIVERED LUMENS	EFFICACY (LPW)	DELIVERED LUMENS	EFFICACY (LPW)	DELIVERED LUMENS	EFFICACY (LPW)	DELIVERED LUMENS	EFFICACY (LPW)		
64LED	80	7,168	117	7,168	117	7,168	117	7,662	126	62	400W MH
86LED	80	9,120	109	9,120	109	9,120	109	9,120	109	84	400W MH
120LED	80	12,510	106	13,170	114	13,170	114	13,170	114	118	400W MH

SELECTABLE											
LUMEN PACKAGE	CRI	Selectable 4000K CCT		Selectable 4500K CCT		Selectable 5000K CCT		WATTS	REPLACES UP TO		
		DELIVERED LUMENS	EFFICACY (LPW)	DELIVERED LUMENS	EFFICACY (LPW)	DELIVERED LUMENS	EFFICACY (LPW)				
4L - 13L	70	3,897	134	4,073	139	3,889	133	29	1000W MH		
	70	7,688	135	8,034	141	7,672	134	57			
	70	11,136	130	11,638	136	11,113	130	86			
	70	12,891	126	13,472	138	12,864	126	102			

**DLC PRODUCT INFORMATION**

UNIT	3000K CCT		4000K CCT		4500K CCT		5000K CCT	
	DLC PRODUCT ID	CLASSIFICATION	DLC PRODUCT ID	CLASSIFICATION	DLC PRODUCT ID	CLASSIFICATION	DLC PRODUCT ID	CLASSIFICATION
<b>FIXED</b>								
WLD64LED	PLDHU776	Standard	PTKZCYS3	Standard	PATPE48EN	Standard	POLJ214Q	Standard
WLD86LED	n/a	n/a	n/a	n/a	n/a	n/a	n/a	n/a
WLD120LED	n/a	n/a	n/a	n/a	n/a	n/a	n/a	n/a

SELECTABLE		
UNIT	DLC PRODUCT ID	CLASSIFICATION
WLDS4-13L	PH9T7MLJ	Standard