



**Lumen & CCT Selectable
Classic Series
Large Wall Light**

PROJECT INFORMATION

JOB NAME	
FIXTURE TYPE	Classic Large Wall Light
CATALOG NUMBER	
APPROVED BY	

SPECIFICATIONS

Construction:

Rugged traditional aluminum die cast housing provides proven environmental protection for LED modules. Traditional fixture designs provide a familiar look and standard installation requirements. Retaining this look allows the ability to upgrade fixtures gradually, while retaining the same overall fixture appearance throughout a facility.

Glare Free:

Positioning of the LED modules within the housing result in light directed to desired locations and eliminates offensive light.

Lens:

Lens assembly is designed to provide high efficiency and to target the light where needed to satisfy outdoor lighting requirements.

Positioning of the LEDs (along with Patent Pending thermal management system) results in the light being directed to desired locations eliminating glare and offensive light.

Selectable Lumens and CCT:

Atlas selectable wall lights are quick and easy to select and set up. Selectable lumens range in 4,000 (30W), 7,500 (57W) / 11,000 (86W), 13,000 (102W).

Selectable CCTs: 4000K, 4500K, and 5000K.

Listings:

Luminaire is certified to UL/cUL Standards for Wet Locations DesignLights Consortium qualified luminaire, eligible for rebates from DLC member utilities.

AC Input: 120/208/240/277V 347/480V

Driver:

Constant current, Class 2, 120-277 VAC, 50-60 Hz
High Efficiency – min. 86%

LEDs:

Available in 4000K, 4500K and 5000K CCT
Atlas LEDs provide higher lumen output, greater energy efficiency and more reliable fixture performance.

Reduced Glare:

Positioning of the LED modules within the housing result in light directed to desired locations and reduces offensive light.

Testing:

Atlas LED luminaires have been tested by an independent laboratory in accordance with IESNA LM-79 & LM-80.

Warranty: Five-year limited warranty

Installation:

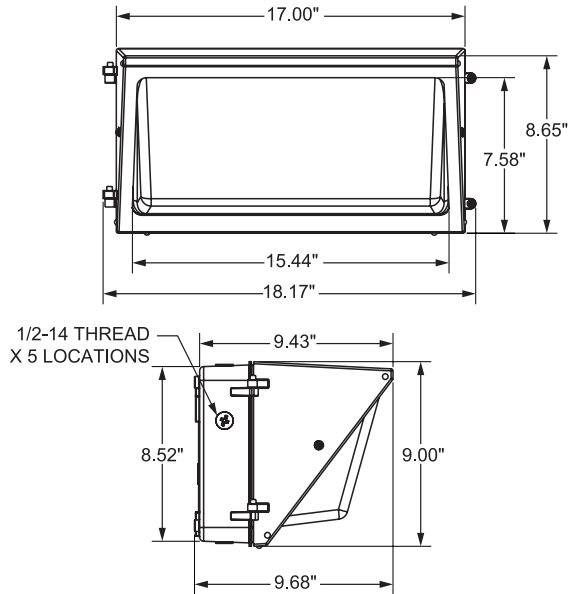
Fixture retains the same knock-out sizes and positions as previous models, reducing wiring costs.

Emergency Back-up: For factory installed Emergency Back-Up add suffix EB to part number.

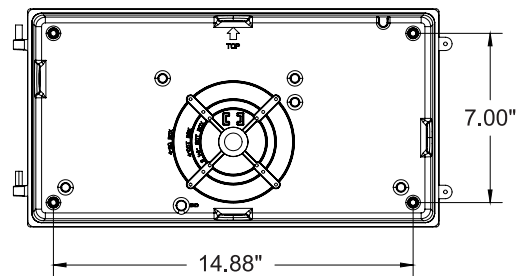


DIMENSIONS

Weight: 9.25 lbs.



MOUNTING DETAIL



**Rebates and Incentives are available in many areas.
Contact an Atlas Representative for more information.**

¹LED Life Span Based Upon LM-70 Test Results



Lumen & CCT Selectable
Classic Series
 Large Wall Light

ORDERING INFORMATION

WLD	S	4-13L					
PRODUCT SERIES	SELECTABLE	LUMEN PACKAGE	COLOR TEMP.	CONTROLS	VOLTAGE	FIXTURE COLOR	OPTIONS
WLD = Large Wall Light	S = Selectable	4-13L = 4,000, 7,500, 11,000 13,000 Lumens Selectable	blank = Selectable (4000K, 4500K, 5000K)	blank = 120-277V Photocontrol Installed LP = Less Photocontrol	Blank = 120-277 4 = 347/480* <i>*LP only</i>	Blank = Bronze WT = White* BK = Black* <i>*optional with adder</i>	EB = Emergency Back-up SP = Surge Protection

PERFORMANCE DATA

UNIT	CRI	4000K CCT			4500K CCT			5000K CCT		
		DELIVERED LUMENS	EFFICACY (LPW)	WATTAGE	DELIVERED LUMENS	EFFICACY (LPW)	WATTAGE	DELIVERED LUMENS	EFFICACY (LPW)	WATTAGE
4L - 13L	70	3,897	134	29	4,073	139	29	3,889	133	29
	70	7,688	135	57	8,034	141	57	7,672	134	57
	70	11,136	130	86	11,638	136	86	11,113	130	86
	70	12,891	126	102	13,472	138	97	12,864	126	102

DLC PRODUCT INFORMATION

UNIT	DLC PRODUCT ID	CLASSIFICATION
WLDS4-13L	PH9T7MLJ	Standard