

## Installation Instruction Sheet

### Linear Fixtures

#### INSTALLATION INSTRUCTIONS FOR JOINING AND HANGING FIXTURES

##### WARNING

To reduce the risk of death, injury or property damage from fire, electric shock, cuts, abrasions, falling parts and other hazards:

- Service of the equipment must be performed by qualified service personnel.
- Installation and maintenance must be performed by a person familiar with the construction and operation of this product and any hazards involved. All applicable codes and ordinances must be followed.
- Read this document before installing, servicing or maintaining this equipment. These instructions do not cover all installation, service and maintenance situations. If your situation is not covered, or, if you do not understand these instructions or additional information is required, contact your local distributor.
- Read and follow all warnings and instructions provided by the manufacturer.

##### WARNING

- Before installing, servicing or maintaining this equipment, follow these general precautions to reduce the risk of electrocution:
- Make sure the equipment is properly grounded.
- Always de-energize the circuit and/or equipment before connecting to, disconnecting from or servicing the equipment.

To prevent luminaire row from over-current:

- By adding the input current of each luminaire section marked on the luminaire, the total current per power feed must not exceed the maximum line wire amperage marked on the luminaire and the power feed cord/wire amperage rating, whichever is the least.

To reduce the risk of fire:

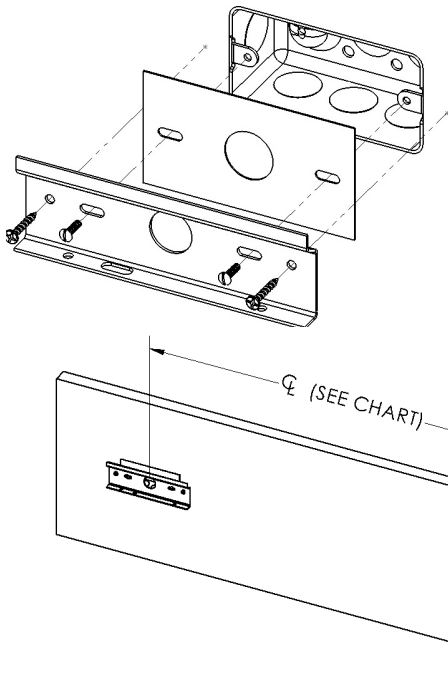
- Keep flammable materials away from hot LEDs.
- Make sure LED boards are correctly installed.
- Use supply conductors with a minimum installation temperature rating as specified on equipment.

To reduce the risk of personal injury from cuts, abrasions or falling parts:

- Wear gloves to prevent cuts or abrasions from sharp edges when removing from carton, handling and maintaining this equipment.
- Do not use abrasive materials, glass cleaners or other solvents on reflector or lens. These substances may damage equipment and cause parts to eventually break and fall.
- Do not install a damaged fixture.

## Typical Mounting Configuration

### Linear Fixtures



1. INSTALL 2" X 4" SWITCH BOX (NOT PROVIDED) FOR POWER FEED.

USE CHALK LINE OR LASER TO MARK POSITION OF OTHER BRACKETS FOR FIXTURE OR ROW OF FIXTURES.

**WARNING:** ENSURE THAT MOUNTING LOCATION AND METHOD IS SUFFICIENT TO SUPPORT 40 LBS OF WEIGHT PER BRACKET LOCATION.

FIXTURE LENGTH	CL LENGTH	BRACKETS/FIXTURE
2'	16"	2
3'	28"	2
4'	40"	2
8'	88"	2

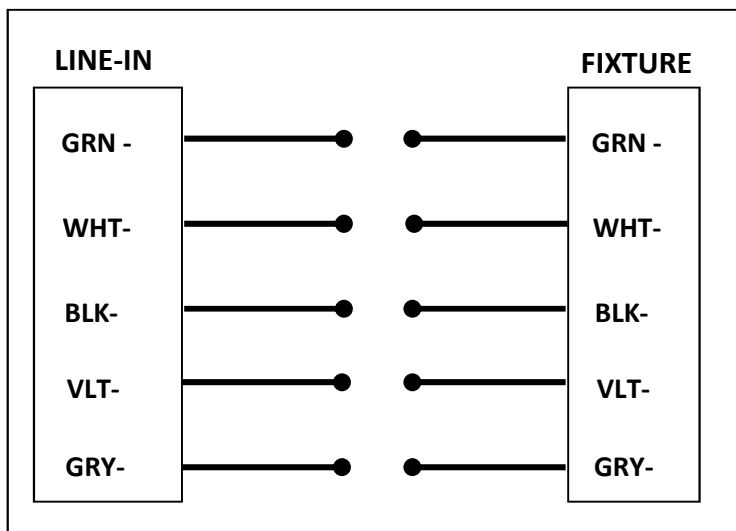
**NOTES:** LENGTH DOES NOT INCLUDE END CAPS.  
FOR OTHER LENGTHS NOT MENTIONED USE LENGTH MINUS 8"

2. PULL POWER FEED WIRES (AND DIMMING WIRES IF DIMMING IS DESIRED) THROUGH CENTER HOLE OF COVER PLATE AND WALL BRACKET. SECURE COVER PANEL AND WALL BRACKET TO SWITCH BOX AND WALL WITH MACHINE SCREWS AND DRYWALL SCREWS (NOT PROVIDED).

3. CONNECT WIRING - CONNECT FEED WIRES FROM LUMINAIRE TO FEED WIRES IN SWITCH BOX PER LOCAL ELECTRICAL CODE, PER THE WIRING DIAGRAM IN THESE INSTRUCTIONS. CONNECT DIMMING WIRES IF NEEDED.

4. HANG AND LEVEL LIGHT - PLACE LUMINAIRE ONTO THE WALL, LINING UP AND PLACING THE FIXTURE BRACKETS ONTO THE WALL BRACKETS SO THAT THEY HOOK TOGETHER. CHECK THAT THE FIXTURE IS LEVEL. IF NECESSARY THE SET SCREWS IN THE BOTTOM OF THE WALL BRACKET MAY BE USED TO ADJUST THE LEVEL SLIGHTLY. SECURE IN PLACE WITH SCREW (PROVIDED).

## General Wiring Diagram



For special circuitry consult factory	
LINE WIRE COLOR	CIRCUIT DESCRIPTION
BLK	CIRCUIT A—HOT
WHT	CIRCUIT A & B— NEUTRAL
RED	CIRCUIT B— HOT
GRN	GROUNDING
VLT	DIMMING CONTROL 1
GRY	DIMMING CONTROL 2
ORG	EC or EB—HOT
WHT/ORG	EC or EB – NEUTRAL

## End Cap Installation

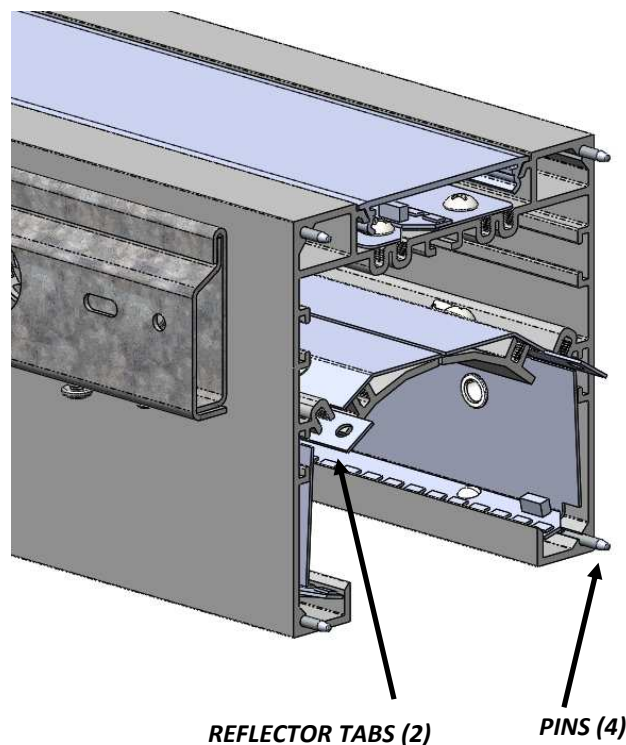
### Linear Fixtures

**NOTE:** THE END CAP MAY COME SEPARATE FROM THE LUMINAIRE. EACH HARDWARE KIT CONTAINS THE COMPONENTS AND HARDWARE NECESSARY TO INSTALL END CAPS AND MOUNTING UNIT TO THE WALL.

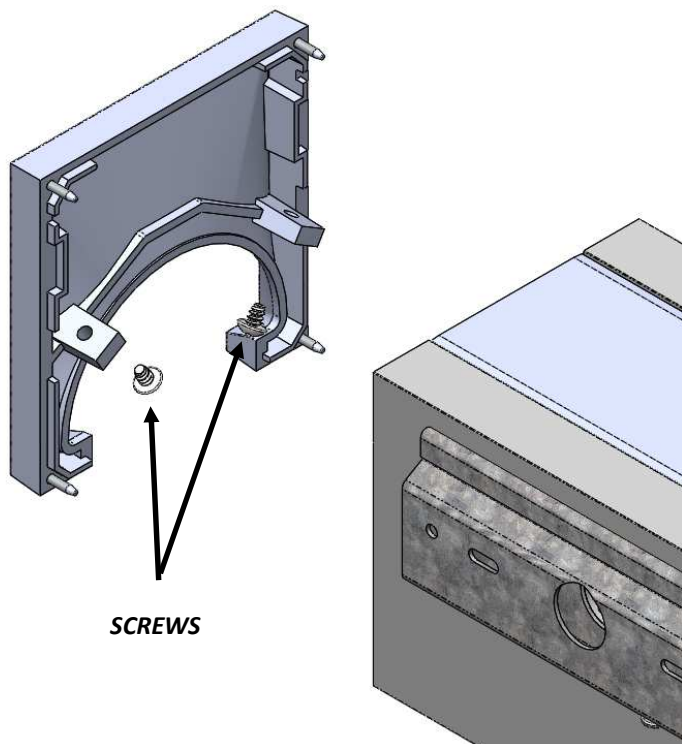
1. ONE END OF THE LUMINAIRE IS PROVIDED WITH PINS AND JOINING TABS FOR ROW MOUNTING. IF THE END CAP IS INSTALLED IN THIS END, THE REFLECTOR TABS MUST BE REMOVED BEFORE INSTALLATION.

THE JOINING TABS ARE FASTENED DOWN USING PROVIDED SCREWS WHEN JOINING FIXTURES TOGETHER.

***FASTEN DOWN REFLECTOR TABS WITH PROVIDED SCREWS OR REMOVE REFLECTOR TABS FOR END CAP INSTALLATION***

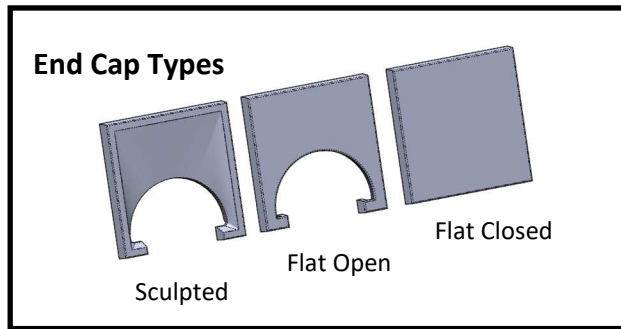


2. INSERT THE END CAP INTO THE END OF THE HOUSING AND ATTACH WITH THE TWO 10-24 X 1/2" SCREWS PROVIDED.



## End Cap Installation

### Linear Fixtures



### INSTRUCTIONS FOR INSTALLING REFLECTOR MATERIAL

#### AFTER THE FIXTURE IS MOUNTED IN PLACE

#### Tools and Materials Needed

Tape



Cotton Gloves (Supplied)



Reflector Roll (Supplied)

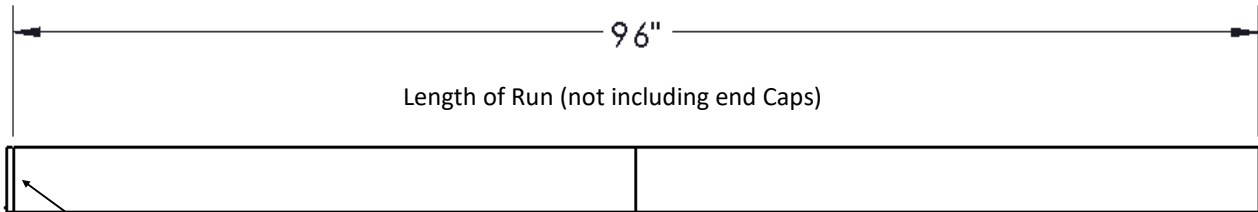


#### Cut Reflector to Length

Calculate Reflector Length

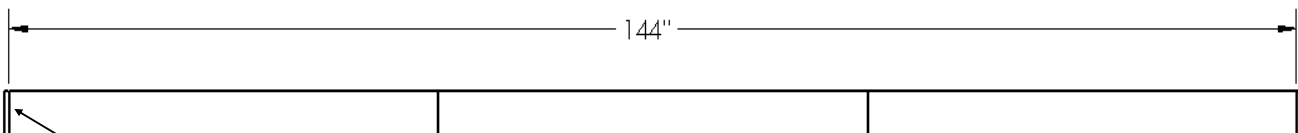
Runs with Flat End Caps = Length of Run minus 1/2"

Runs with Sculpted End Caps = Length of Run minus 7/16"



#### Example 1

Reflector Length in this example would be 96" (Length of Run) **minus** 1/2" (Flat End Cap Calculation) = 95.50"

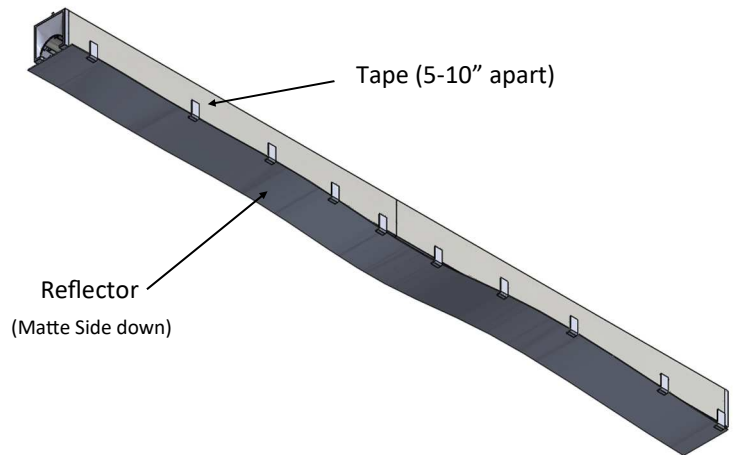


#### Example 2

Reflector Length in this example would be 144" (Length of Run) **minus** 7/16" (Sculpted End Cap Calculation) = 143.57"

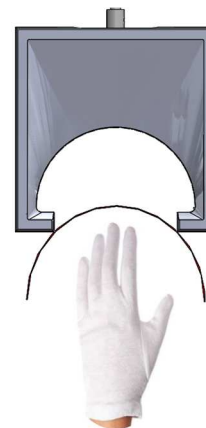
## INSTRUCTIONS FOR INSTALLING REFLECTOR MATERIAL CONTINUED

Tape Reflector with Matte side down to housing

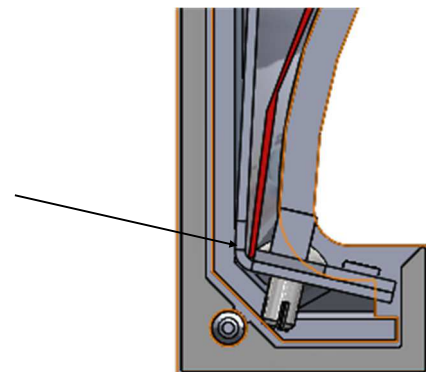


Push Reflector upward and remove tape

Using cotton gloves, gently tuck reflector in place by pushing upward and tucking the reflector behind the LED boards.



Tuck reflector under endcap ledge to hide cut ends by sliding reflector under.  
(Make sure that the reflector is tucked behind all LEDs on both sides of fixture.)



### REFLECTOR CLEANING INSTRUCTIONS:

For Dust and Particles that are on Reflector - Wipe with a soft lint-free cloth (such as microfiber)

For difficult deposits cleaning can be done with a soft cloth and water