

# Ripple 90 suspension

2062018A

## SPECIFICATIONS



### Design By

BJARKE INGELS GROUP

### Collection

Design



### Specifications

Delivered lumens	3308.69lm
Light output ratio	87.1lm/W
Power consumption	38W
Led type	36W Array*
CCT (Correlated Color Temperature)	3000K
CRI (Color Rendering Index)	>90
Life expectancy	50000Hrs
Control type	Dimmable 0-10V
Input Voltage	120V
Driver	TCl - 1 x 125504

### Colors & Finishes

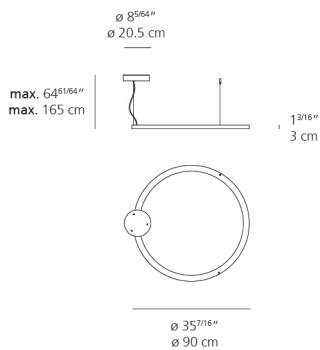
White

### Materials

- Ring in aluminum
- Canopy in thermoplastic

### Features & Accessories

### Dimensions



### Packaging

2 Boxes

1 x 39-7/16" x 39-7/16" x 6" / 14.55 lbs - 100 cm x 100 cm x 15 cm / 6.6 kg

1 x 12-5/16" x 12-5/16" x 4-13/16" / 3.97 lbs - 31 cm x 31 cm x 12 cm / 1.8 kg

### Light distribution

Direct

### Luminaire weight

14.55 lbs / 6.6 kg

### Warranty

5 year limited warranty