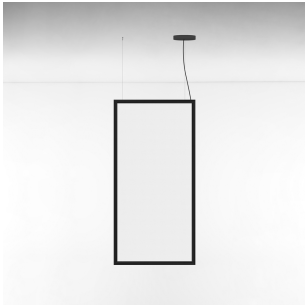


Discovery Space Rectangular suspension black

SPECIFICATIONS

2005038A



Design By

Ernesto Gismondi

Collection

Design



Specifications

Delivered lumens	N/A
Light output ratio	N/A
Power consumption	47W
Led type	47W Array*
CCT (Correlated Color Temperature)	3000K
CRI (Color Rendering Index)	>90
Life expectancy	50000Hrs
Control type	Dimmable 2-Wire / Dimmable 0-10V
Input Voltage	120-277V
Driver	N/A

Colors & Finishes

- Transparent (Diffuser)
- Black (Rim & Canopy)

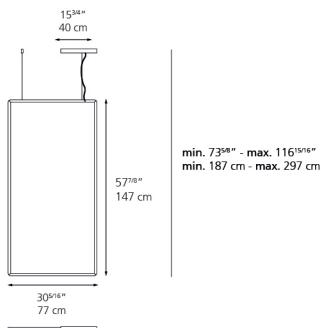
Materials

- Rim in ultra-light aluminum
- Diffuser in clear PMMA

Features & Accessories

- Rim hosts a LED strip injecting light into a clear surface
- Diffuser is transparent when off, filled with light when on

Dimensions



Packaging

1 Box

1 x 6-13/16" x 6-1/2" x 67" / 36.16 lbs - 17 cm x 90 cm x 170 cm / 16.4 kg

Light distribution

Diffused

Luminaire weight

19.18 lbs / 8.7 kg

Warranty