

# Discovery Vertical 140 suspension bronze

## SPECIFICATIONS

1994068A



### Design By

Ernesto Gismondi

### Collection

Design



### Specifications

Delivered lumens	6761.93lm
Light output ratio	84.52lm/W
Power consumption	83W
Led type	71W Array*
CCT (Correlated Color Temperature)	3000K
CRI (Color Rendering Index)	>90
Life expectancy	50000Hrs
Control type	Dimmable 2-Wire / Dimmable 0-10V
Input Voltage	120-277V
Driver	N/A

### Colors & Finishes

- Transparent (Diffuser)
- Bronze (Rim & Canopy)

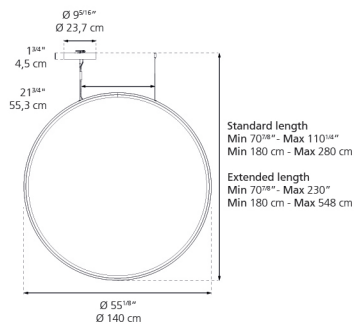
### Materials

- Rounded rim in ultra-light aluminum
- Diffuser in clear PMMA

### Features & Accessories

- Rim hosts a LED strip injecting light into a clear surface
- Diffuser is transparent when off, filled with light when on
- The dimming range of the driver can dim down to 1%
- Driver is compatible to both 2-wire dimming and 0-10V dimming options

### Dimensions



### Packaging

1 Box

1 x 62-11/16" x 62-11/16" x 5-13/16" / 40.12 lbs - 159 cm x 159 cm x 14.5 cm / 18.2 kg

### Light distribution

Direct

### Luminaire weight

23.15 lbs / 10.5 kg

### Warranty

5 year limited warranty