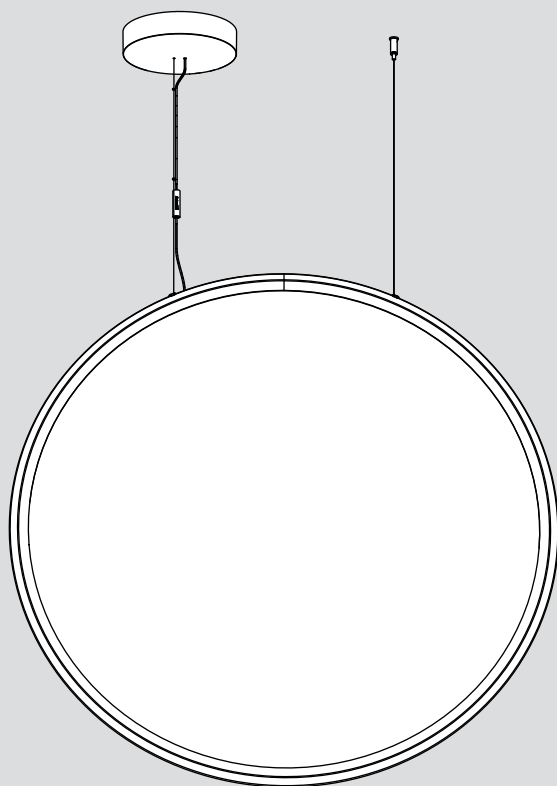
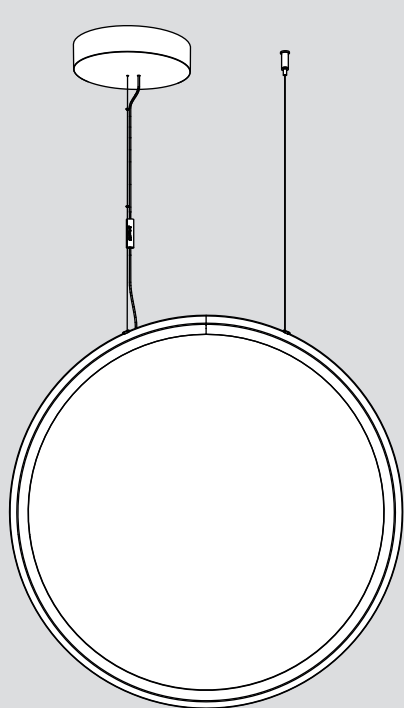


Artemide®

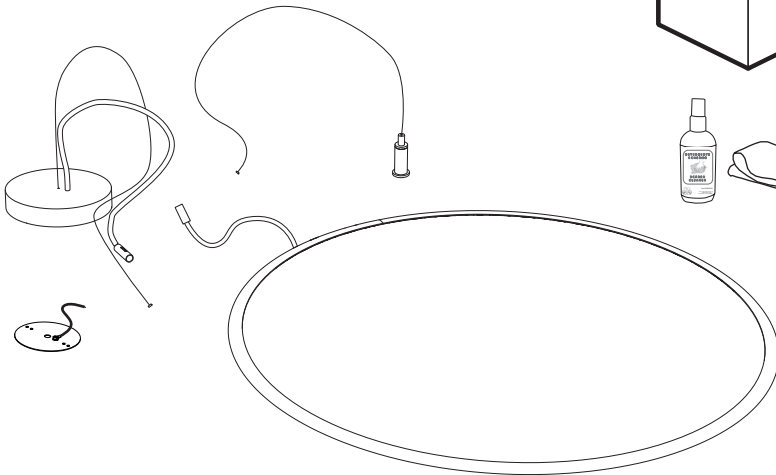
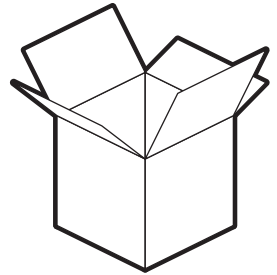
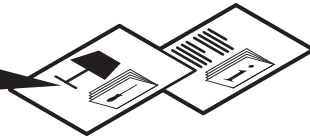
Discovery Vertical 100-140

design
E. Gismondi

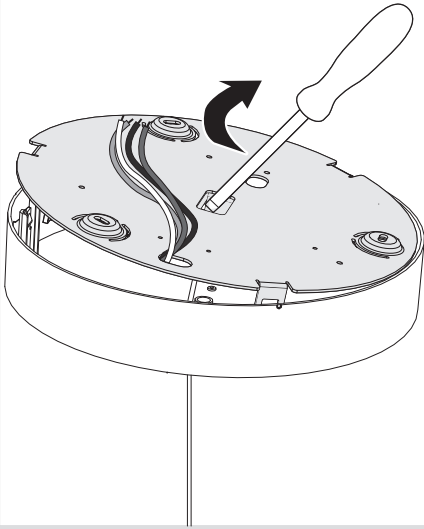




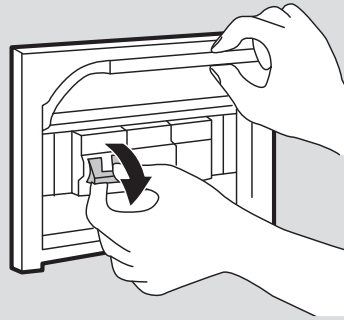
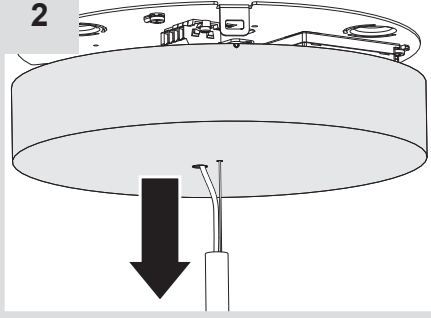
i



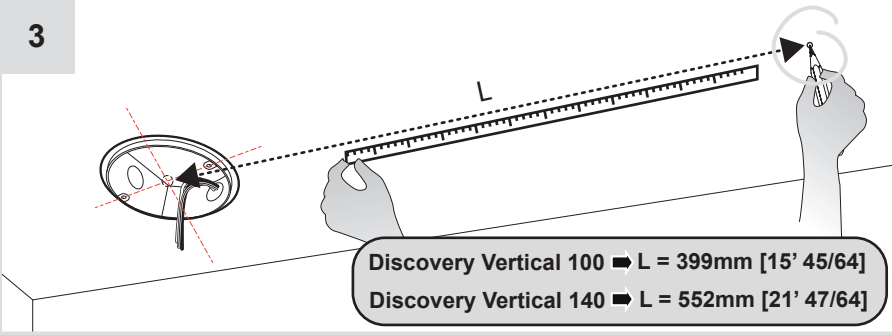
1



2



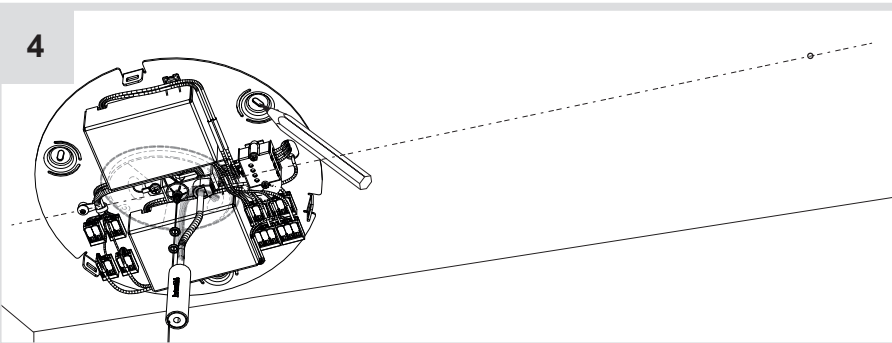
3

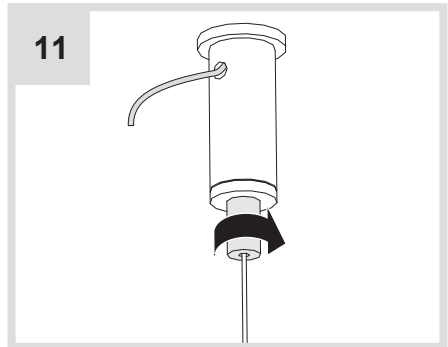
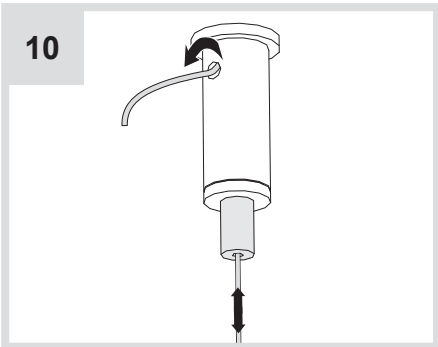
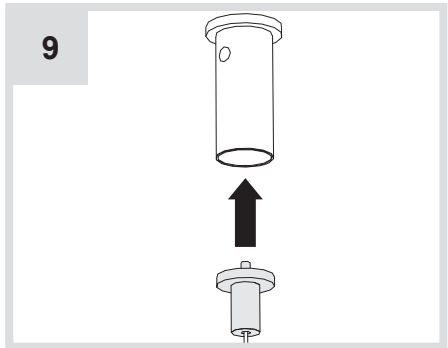
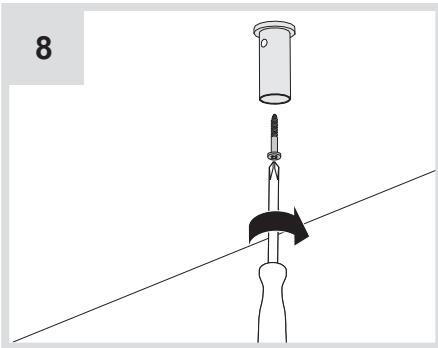
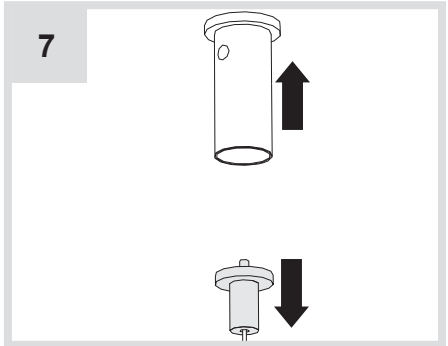
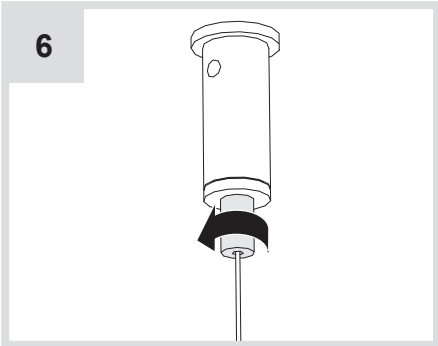
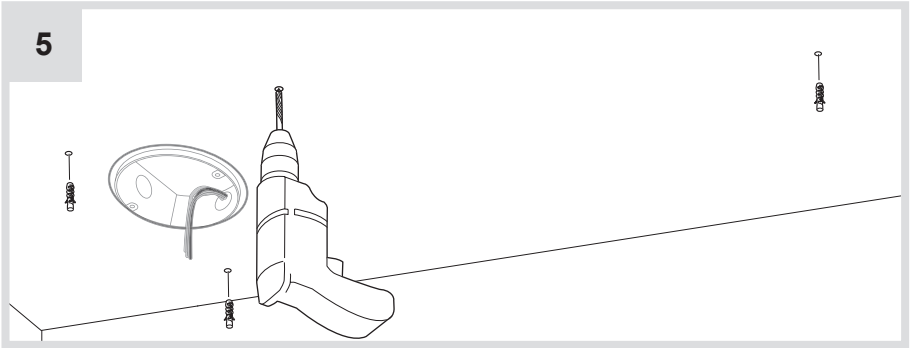


Discovery Vertical 100 ➔ $L = 399\text{mm}$ [15' 45/64]

Discovery Vertical 140 ➔ $L = 552\text{mm}$ [21' 47/64]

4

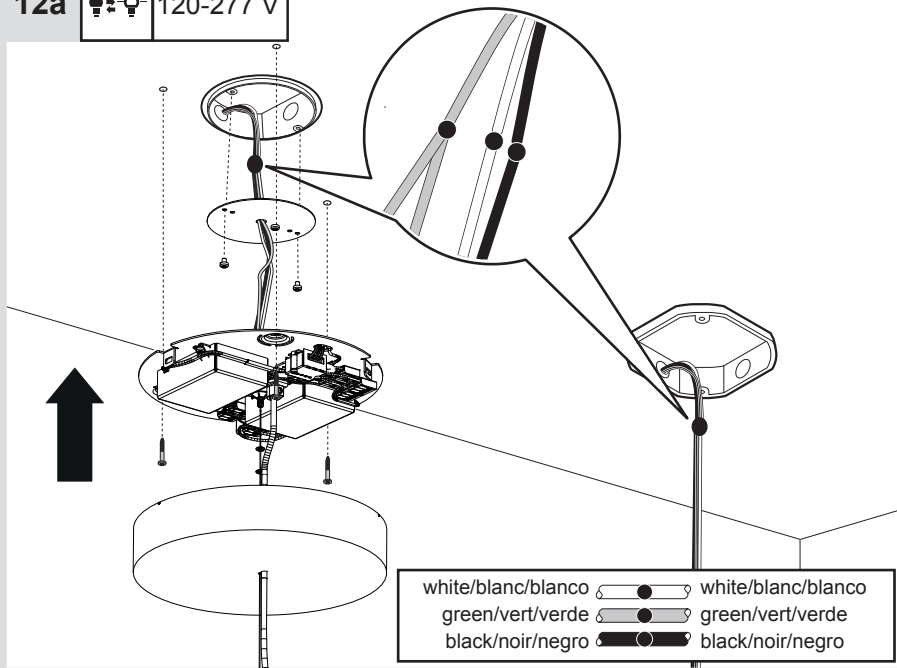




12a



120-277 V

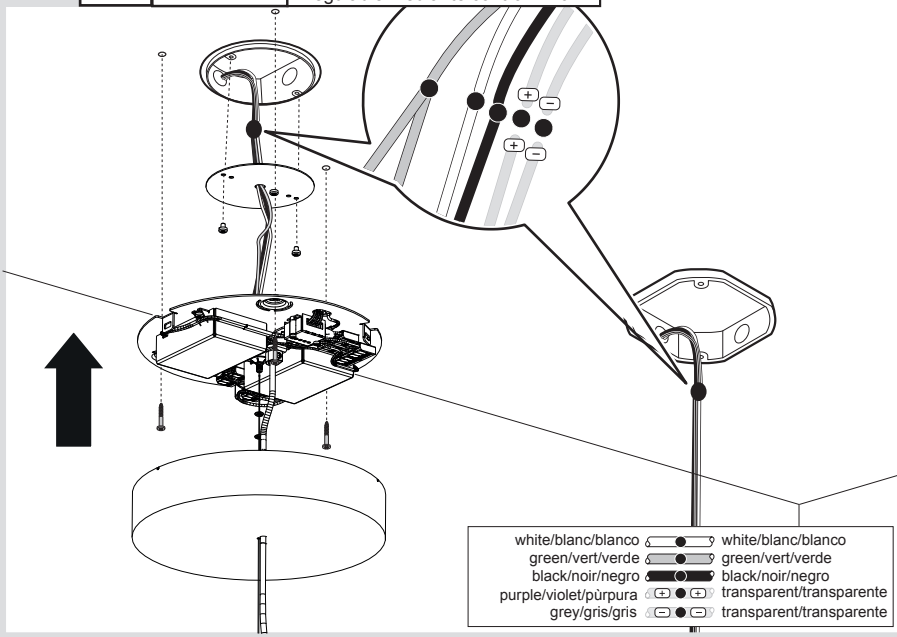


12b



120-277 V

1-10 V dimming control
Dimmable 1-10 V
Regulable mediante control 1-10 V

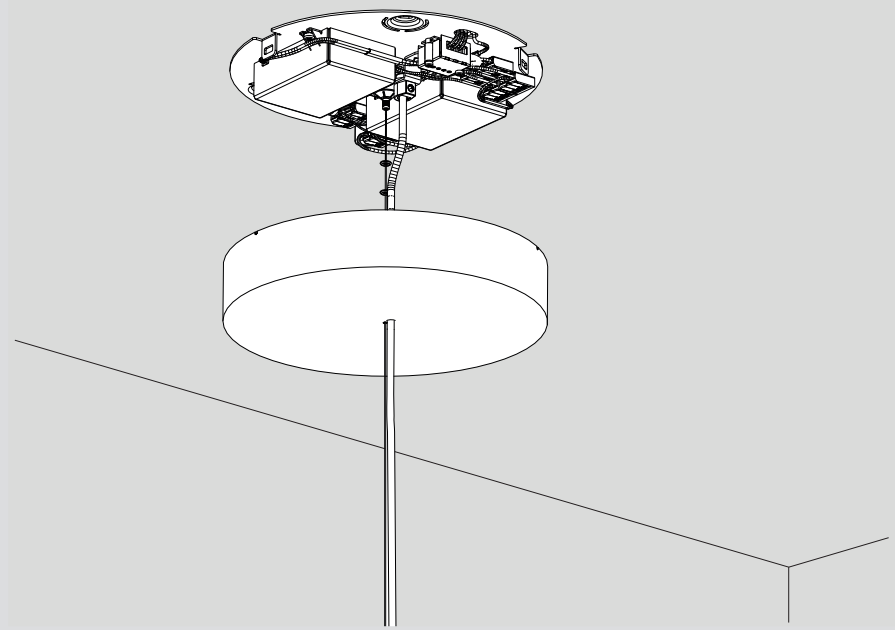
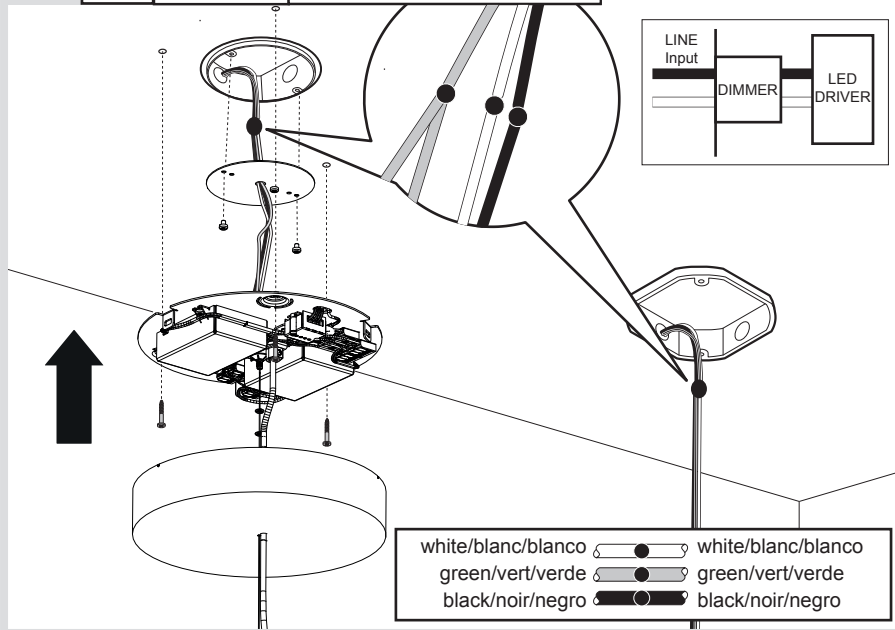


12c

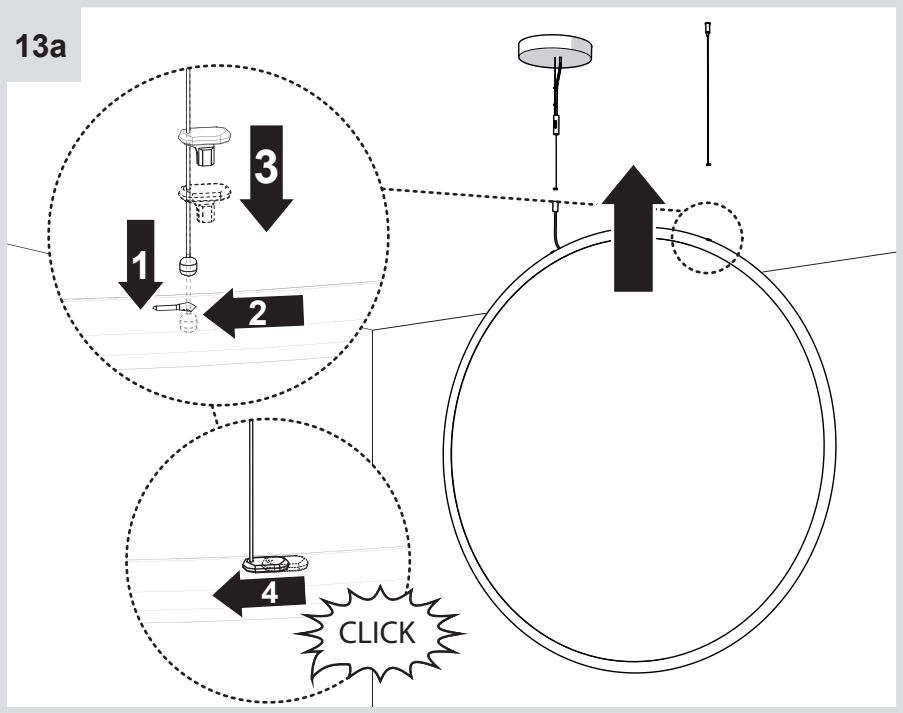


120 V

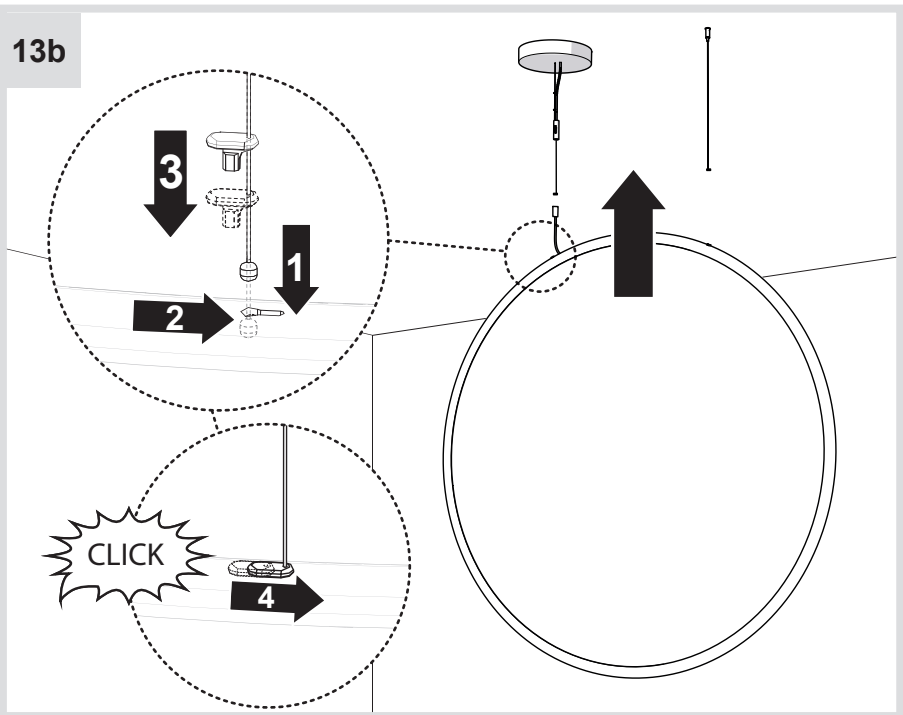
Phase cut
Coupure de phase
Corte de fase



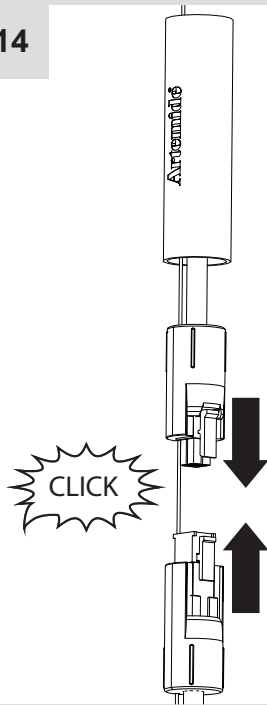
13a



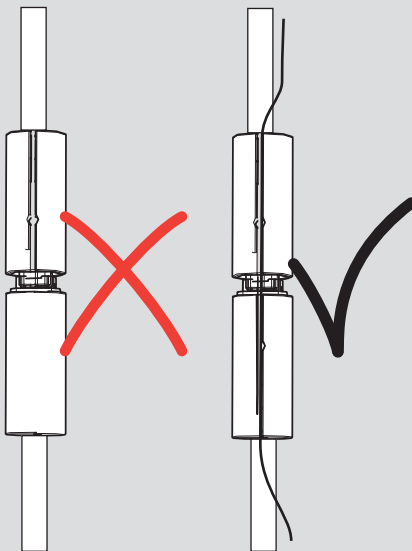
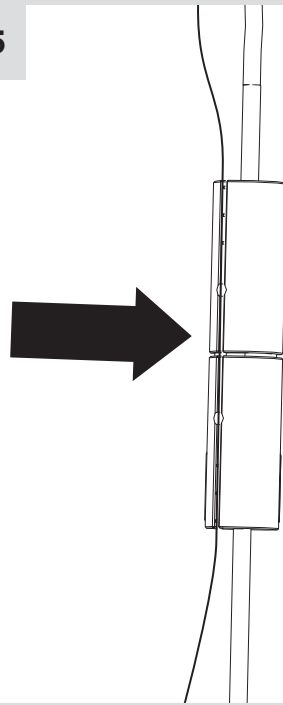
13b



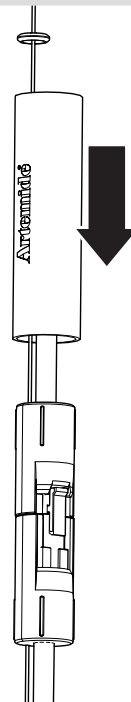
14



15

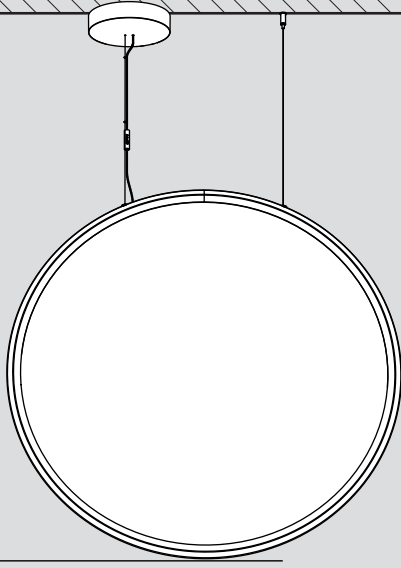


16



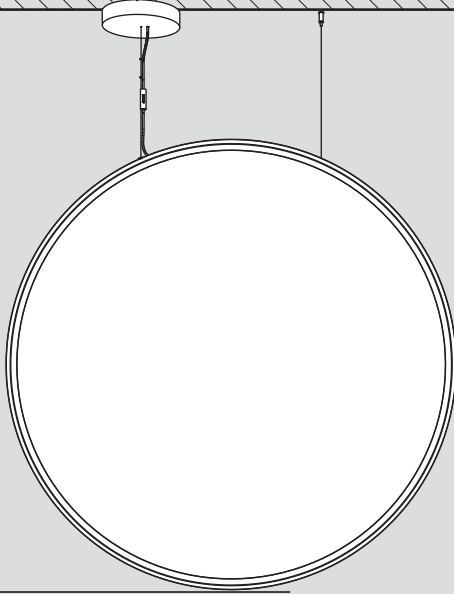
i

Min 1400 - Max 2400 mm
[Min 55' 1/8 - Max 94' 31/64]

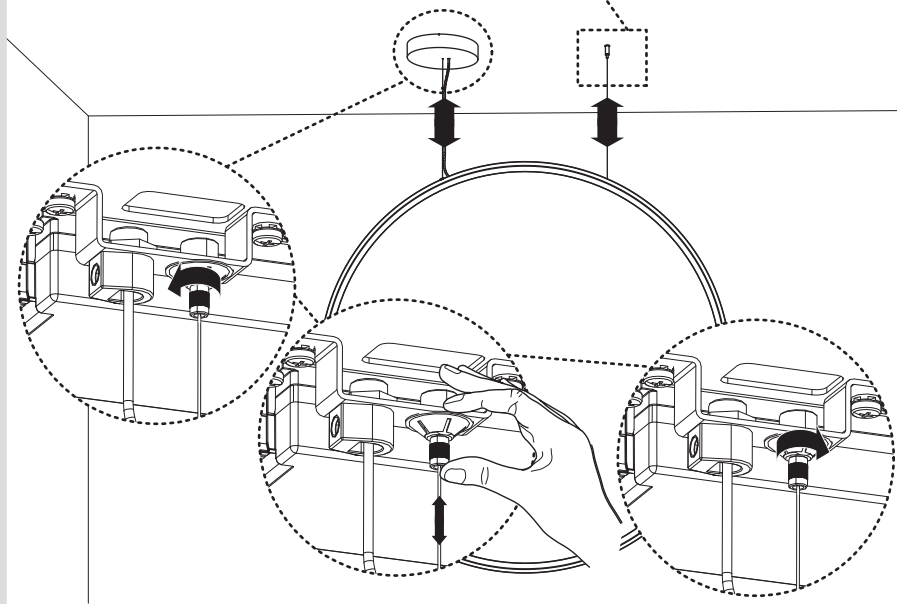


i

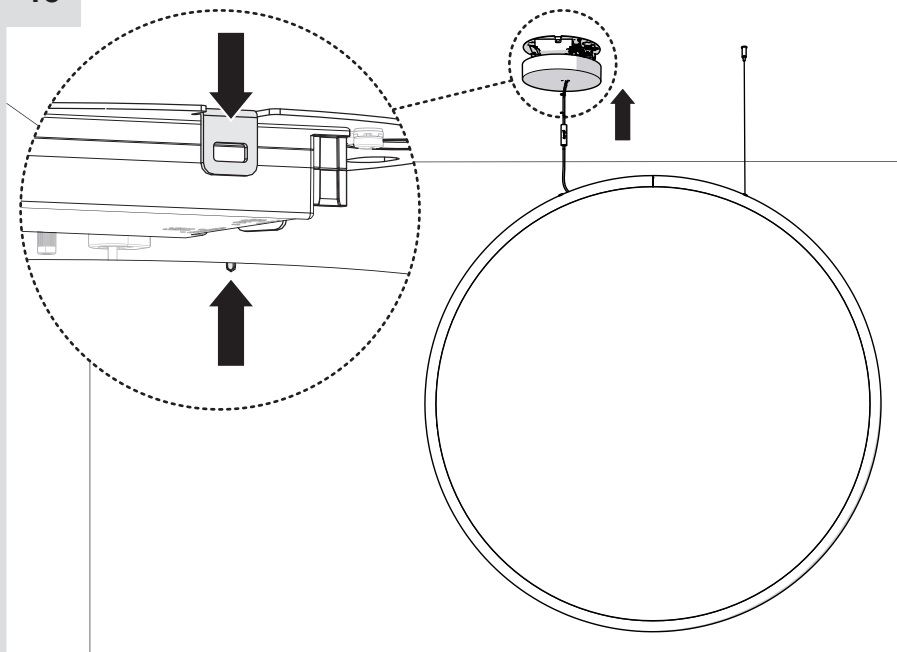
Min 1800 - Max 2800 mm
[Min 70' 55/64 - Max 110' 15/64]



17

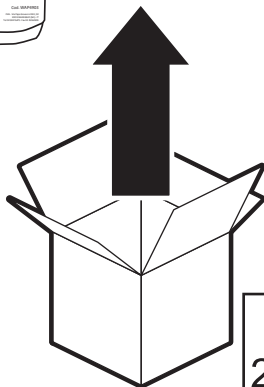
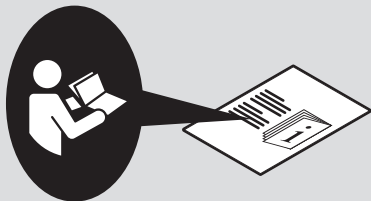


18

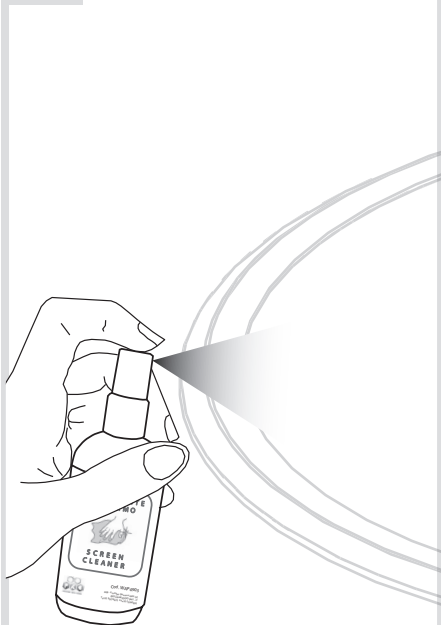




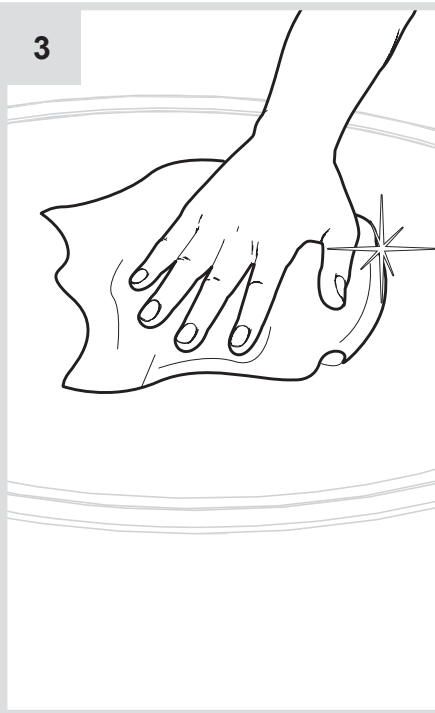
1



2



3



Artemide®



Artemide

via Bergamo, 18
20010 Pregnana M.se (MI)
ITALIA

tel. +39 02 935 181
fax +39 02 935 90 254
fax +39 02 935 90 496

www.artemide.com

VAT IT00846890150

Artemide Inc.

250 Karin Lane
Hicksville, NY 11801

Tel. 631 694 9292
Toll Free 1-877-Art-9111
Fax 631 694 9275

www.artemide.net

Artemide Ltée/Ltd.

11105 rue Renaude Lapointe
Montréal, Québec H1J 2T4

Tel. 514 323 6537
Toll Free 888 777 2783
Fax 514 323 8864

www.artemide.net

cod. Y513001058