

# Discovery Vertical 140 suspension Black

## SPECIFICATIONS

1994038A



### Design By

Ernesto Gismondi

### Collection

Design



### Specifications

Delivered lumens	6761.93lm
Light output ratio	84.52lm/W
Power consumption	83W
Led type	71W Array*
CCT (Correlated Color Temperature)	3000K
CRI (Color Rendering Index)	>90
Life expectancy	50000Hrs
Control type	Dimmable 2-Wire / Dimmable 0-10V
Input Voltage	120-277V
Driver	EFORE - 2 x RCL050-1050A

### Colors & Finishes

- Transparent (Diffuser)
- Black (Rim, Canopy, Cable)

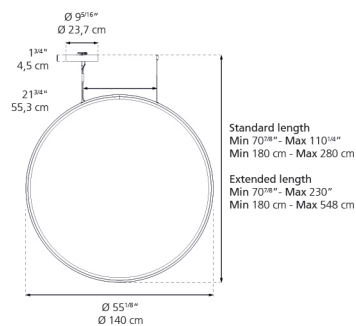
### Materials

- Rounded rim in ultra-light aluminum
- Diffuser in clear PMMA

### Features & Accessories

- Rim hosts a LED strip injecting light into a clear surface
- Diffuser is transparent when off, filled with light when on
- The dimming range of the driver can dim down to 1%

### Dimensions



### Packaging

Boxes

### Light distribution

Direct

### Luminaire weight

N/A

### Warranty

5 year limited warranty