

nh S5 elliptic suspension

1279018A

SPECIFICATIONS



Design By

NERI&HU

Collection




Design



Specifications

| | |
|-------------------|---|
| Lamp type | LED-T (Non Integrated) ONLY |
| Lamp | max 2X15W E26/A19 + 4X5W LED E12/G16.5 |
| Lamp Included | No |
| Control type | Dimmable 2-Wire |
| Input Voltage | 120V |
| Power consumption | 50W |
| Ballast | N/A |

Colors & Finishes

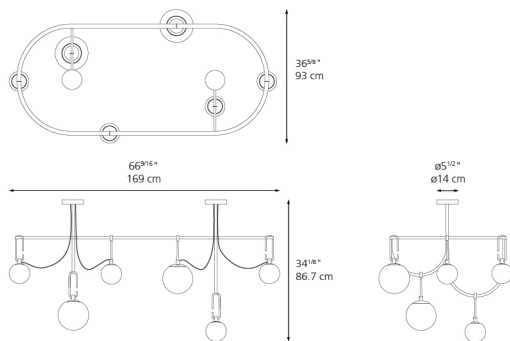
-  White Glass (Diffuser)
-  Brushed Brass (Ring)
-  Black (Stem, Cable, Canopy)

Materials

- Diffuser in white blown glass
- Adjustable ring in a brushed brass
- Structure in metal painted black

Features & Accessories

Dimensions



Packaging

1 Box

1 x 37-1/2" x 74-7/8" x 37-1/2" / 76.06 lbs - 95 cm x 190 cm x 90 cm / 34.5 kg

Light distribution

Diffused

Luminaire weight

22.64 lbs / 10.27 kg

Warranty

5 year limited warranty