

## Features & Benefits

Sealed Die-Casting Profile for Outdoor Applications

Estimated 50,000 Hour Life Span

Ambients from -40°F to 104°F

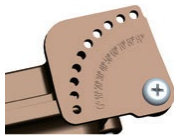
Pre-Installed Photocell Button Available

5-Year Limited Warranty



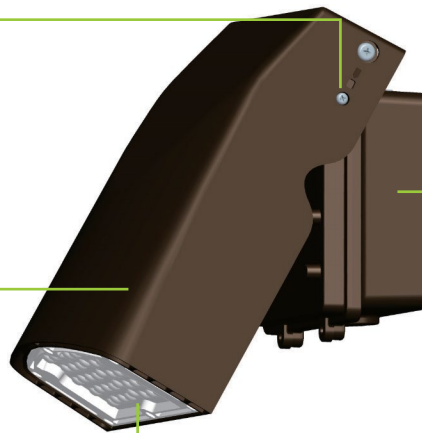
### Mounting

0° to +90° tilt adjustments, to meet the needs of customers with different lighting angles.



### Housing

Suitable for both indoor and outdoor application, also suitable for J-BOX mounting and surface mounting.



### Photocell

Optional photocell allows for security and energy saving.

### Lens

Polycarbonate optical lens with UV stabilizers do not exhibit yellowing and deformation.

## Technical Parameters

Power	Light Output	Power Input	Operating Temperature	Efficacy
27W - 80W	3,500 lm - 10,500 lm	120-277V, 347/480V	-40°F - 115°F	133 lm/W

Color Temperature	CRI	Certifications	Photocell	Driver
4000K/5000K	70	UL	Twist Lock	1-10V Dimming

Finish				
DB, B, W				

## Performance Data

5000K		
LED Watts	Lumens	LPW
27W	3,600 lm	133 lm/W
40W	5,200 lm	130 lm/W
67W	8,800 lm	131 lm/W
80W	10,500 lm	131 lm/W

4000K		
LED Watts	Lumens	LPW
27W	3,600 lm	133 lm/W
40W	5,200 lm	130 lm/W
67W	8,800 lm	131 lm/W
80W	10,500 lm	131 lm/W

## Ordering Information *Example: WPA-40W-50K*

(Optional)

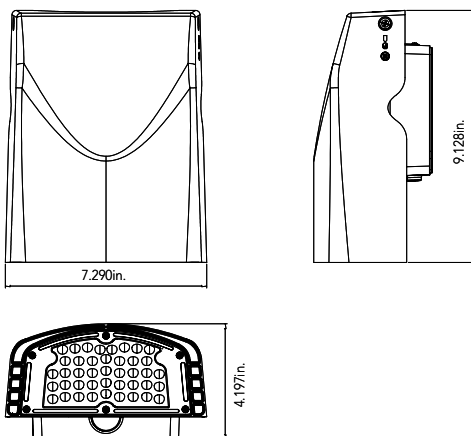
Model	Wattage	Voltage	CCT	Finish	Dimmable	Photocell
<b>WPA</b> Wall Pack WPA Series	27W 40W 67W 80W	<b>Blank</b> 120-277V	<b>40K</b> 4000K <b>50K</b> 5000K	<b>Blank</b> Dark Bronze <b>B</b> Black <b>W</b> White	<b>Blank</b> Non Dimmable <b>D</b> 0-10V Dimmable	<b>P</b> Photocell

Note:

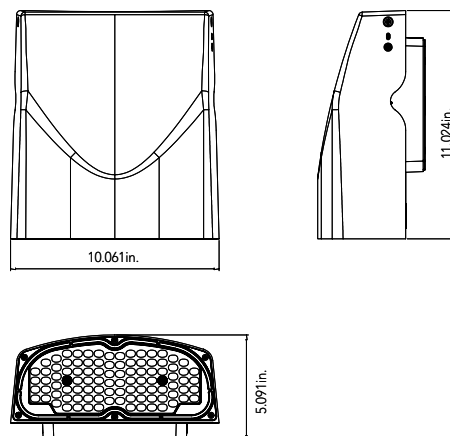
1. 40W, 67W, 80W Available with Dimmable Driver

## Product Dimensions

### Small Size: 27W / 40W

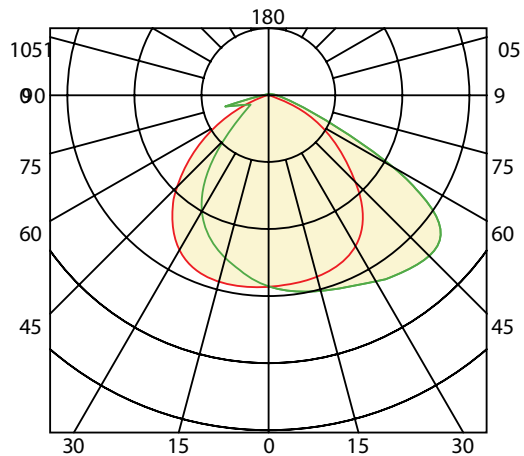


### Medium Size: 65W



## Photometrics

---



## Accessories

---

### Photocell

No. PC-JL-120-277V

USE: Photocell is field installed or pre-installed in factory by requesting

