

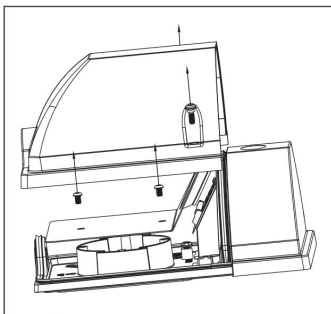
# Wall Pack WMTM Install Guide

## ! WARNING

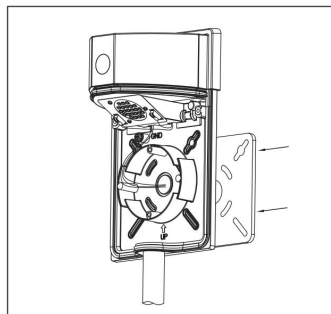
1. To avoid electric shock, disconnect power at source prior to installation.
2. The installation should be performed by qualified electricians or lighting technicians.
3. Before conducting any installation, maintenance, or removal, disable all power to the luminaries and wait until the fixture cool down.
4. Do not touch the fixture while it is in service.
5. If there is any problem with the fixture, DO turn off power and DO NOT attempt repair unless you are a qualified technician or the customer service member.
6. The electrical rating of this product is 120-277V AC when no photocell. There are 120V and 277V version for this products when contains photocell. Please read the label information carefully to get proper input voltage for this product.

## Installation

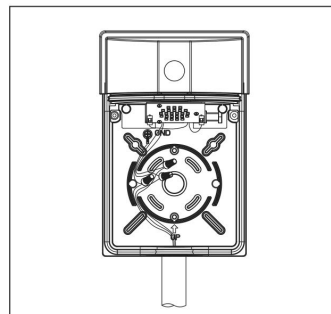
### 1. Mounting with a 1/2" conduit at the bottom



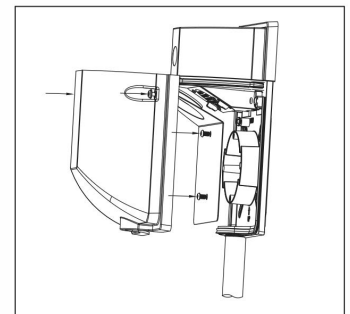
1. Removing the len by loosening the two screws aside the len, removing the reflector by loosening the two screws .



2. Remove the threaded plug from the bottom, Plug the 1/2" conduit into the fixture, konck out 2 screw holes on the back housing and attach the fixture on the wall with proper screws, use the supplied gasket for a weather tight seal.

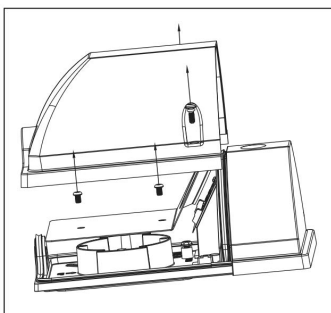


3. Connect Black for line, White for Neutral and bare wire for Ground to complete the wiring.

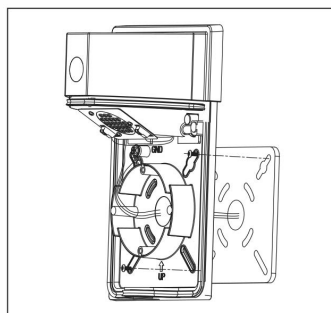


4. Replace the reflector and lens carefully by reversing procedure used to remove it.

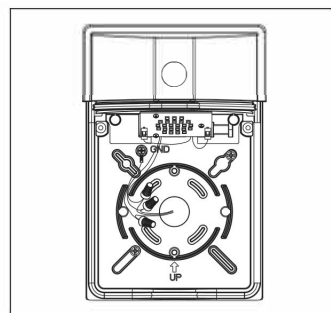
### 2. Mounting with J-box



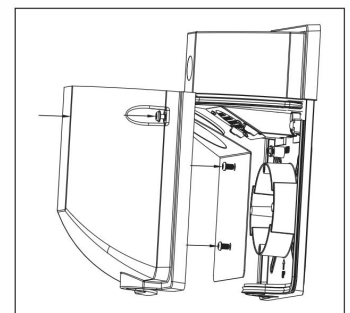
1. Removing the len by loosening the two screws aside the len, removing the reflector by loosening the two screws .



2. Knock out the 2 screw holes and the holes in the center of the back housing, Plug the wires from the J-BOX into the fixture through the center hole, and attach the fixture to the J-box with proper screws. use the supplied gasket for a weather tight seal.



3. Connect Black for line, White for Neutral and bare wire for Ground to complete the wiring.



4. Replace the reflector and lens carefully by reversing procedure used to remove it.