

## Features & Benefits

Symmetry Foot Appearance Conveys Environmental Harmony

Suitable for Installation Heights of 8-20 FT

Install on Pole - Top Diameter Limited to 2 3/8" or 3"

1-10V Dimming

Projected over 50,000 hrs life span

Urban Style Look by the Simple Shape and the Heavy Material

5 Year Limited Warranty



### Round Shed Light

Glow soft light down. Type V (symmetric) distributions.

### Light Pole Conector

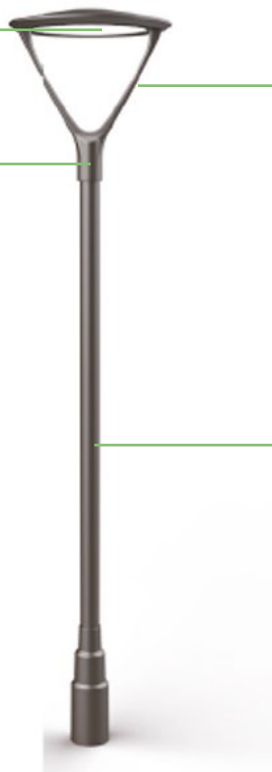
Matching 2 3/8" or 3" diameter round pole. Rugged and durable against vibration.

### Lamp Foot

Slim and elegant arc is both aesthetical and practical.

### Light Pole

Provided by others.



## Technical Parameters

Power	Light Output	Power Input	Operating Temperature	Efficacy
45W - 130W	5,400 lm - 15,800 lm	120-277V/347-480V	-40°F - 113°F	Up to 122 lm/W
Color Temperature	CRI	Certifications	Motion Sensor	Photocell
3000K, 4000K, 5000K	70	UL	Bi-Level PIR Sensor	Button
Driver	Finish			
1-10V Dimming	DB, B, W			

## Performance Data

5000K		
LED Watts	Lumens	LPW
45W	5,450 lm	121 lm/W
70W	8,500 lm	121 lm/W
87W	10,600 lm	122 lm/W
130W	15,800 lm	122 lm/W

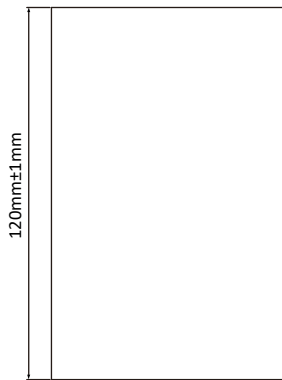
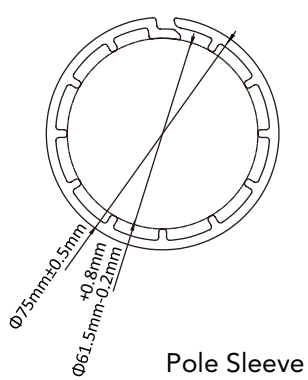
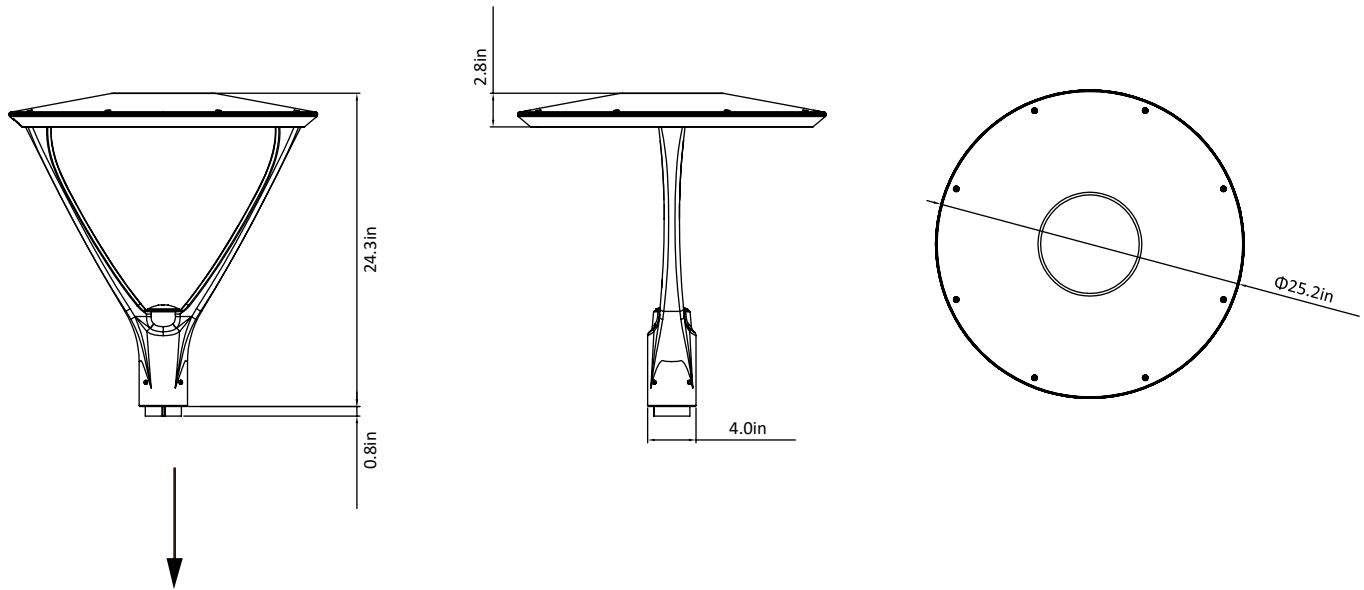
4000K		
LED Watts	Lumens	LPW
45W	5,450 lm	121 lm/W
70W	8,500 lm	121 lm/W
87W	10,600 lm	122 lm/W
130W	15,800 lm	122 lm/W

3000K		
LED Watts	Lumens	LPW
45W	5,400 lm	120 lm/W
70W	8,400 lm	120 lm/W
87W	10,400 lm	120 lm/W
130W	15,600 lm	120 lm/W

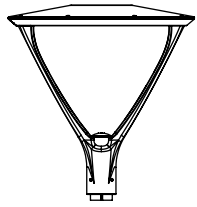
# Ordering Information Example: PTL-45W-50K

Model	Wattage	Voltage	CCT	Finish	Controls
<b>PTL</b> Post Top Light PTL Series	45W 70W 87W 130W	<b>Blank</b> 120-277V <b>HV</b> 347/480V	<b>30K</b> 3000K <b>40K</b> 4000K <b>50K</b> 5000K	<b>Blank</b> Dark Bronze <b>B</b> Black <b>W</b> White	<b>P</b> Photocell <b>M</b> Motion Sensor <b>MM</b> Photocell + Motion Sensor

## Dimensions



### EPA OF POST TOP

Item	
EPA	0.9696