

Features & Benefits

Advanced Thermal Management Aluminum Alloy with White Powder Coat Finish

Available in 1x2, 2x2 and 2x4 Configurations

Lumen Packages up to 50,500 lm; Efficacy up to 142 lm/W

PIR Sensor and Emergency Battery Optional

Aircraft Cable Included, Pendant Mount Upon Request

UL Listed for Damp Location

Estimated 100,000-hour LED lifespan

10-Year Limited Warranty

90W&130W



180W&210W



L130W&L180W



270W&300W&370W



Housing

Advanced thermal management aluminum alloy with white coat nish. Suitable for pendent mount and Sling mount.



Emergency Battery

90 min, 900lm Provision of safe lightning

Threaded Conduit

Support wires coming from the hole for easier wire connections.



Motion Sensor

Optional PIR Sensor allows for security and energy saving.

Technical Parameters

Power	Light Output	Power Input	Operating Temperature	Efficacy
90W - 370W	12,600 lm - 50,500 lm	120-277V, 347/480V	-40°F - 131°F	Up to 142 lm/W

Color Temperature	CRI	Certifications	Motion Sensor	Driver
4000K, 5000K	80 CRI	DLC Premium	Bi-Level PIR Sensor	1-10V Dimming

Emergency Battery	Mounting	Finish		
16W, 2,000 lm, 90 min	Chain, Pendant	White		

Note: 0-10V Dimming Driver Available Upon Request

Performance Data

5000K			
LED Watts	Size	Lumens	LPW
90W	1x2FT	12,600 lm	140 lm/W
130W	1x2FT	18,500 lm	142 lm/W
180W	2x2FT	25,200 lm	140 lm/W
210W	2x2FT	29,000 lm	138 lm/W
270W	2x4FT	37,000 lm	137 lm/W
300W	2x4FT	41,500 lm	138 lm/W
370W	2x4FT	50,500 lm	136 lm/W

4000K			
LED Watts	Size	Lumens	LPW
90W	1x2FT	12,600 lm	140 lm/W
130W	1x2FT	18,500 lm	142 lm/W
180W	2x2FT	25,200 lm	140 lm/W
210W	2x2FT	29,000 lm	138 lm/W
270W	2x4FT	37,000 lm	137 lm/W
300W	2x4FT	41,500 lm	138 lm/W
370W	2x4FT	50,500 lm	136 lm/W

Ordering Information

Example: HBLX4-22-180W-50K

(Optional)

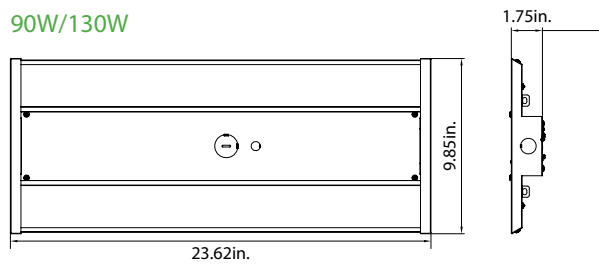
Model	Configuration	Wattage	Voltage	CCT	Lens	Controls
HBLX High Bay HBLX4 Series	12 1x2 22 2x2	90W 130W 180W 210W 270W 300W 370W	Blank 120-277V HV 347/480V	40K 4000K 50K 5000K	Blank Difussed Lens	M Motion Sensor EM Emergency Battery MEM Motion Sensor + Emergency Battery

Note:

1. 1x2 = 90W, 130W
2. 2x2 = 180W, 210W
3. 2x4 = 270W, 300W, 370W
4. Emergency Battery not Available while the Voltage is 347/480V

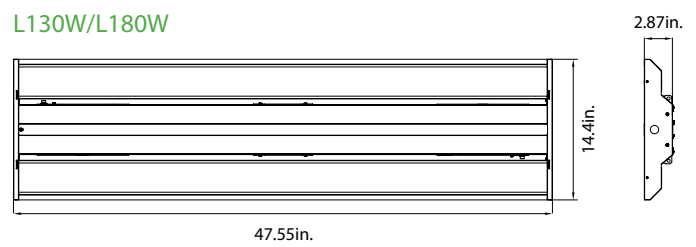
Product Dimensions

90W/130W



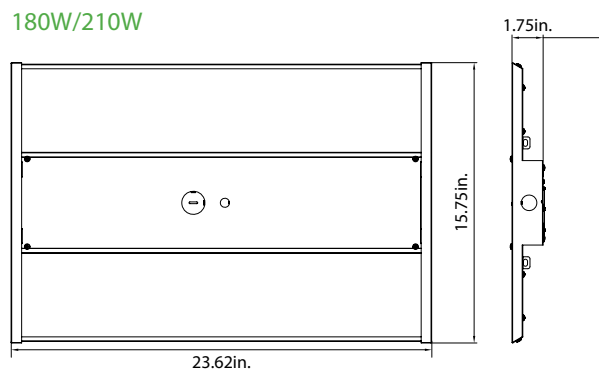
Weight
90W: 5.842 lbs
130W: 7.319 lbs

L130W/L180W



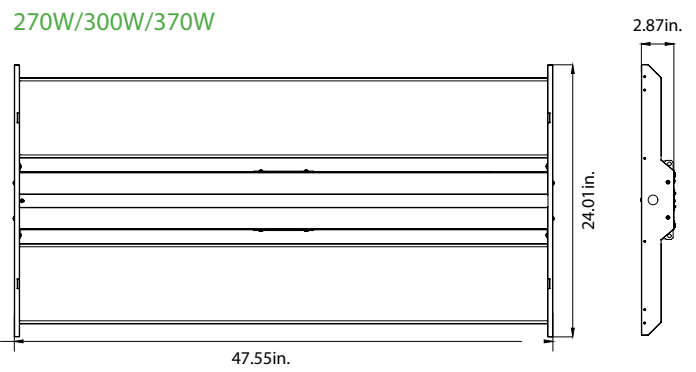
Weight
L130W: 13.91 lbs
L180W: 14.76 lbs

180W/210W



Weight
180W: 9.193 lbs
210W: 9.259 lbs

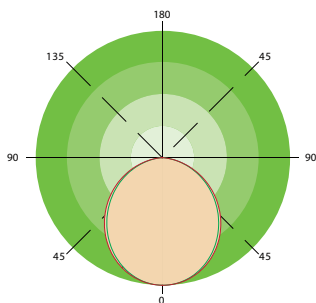
270W/300W/370W



Weight
270W: 22.46 lbs
300W: 22.49 lbs
370W: 22.50 lbs

Photometrics

General



DLC Listed Models

System Watt	Voltage	CCT	DLC NO	DLC Classification
130W	120-277V	5000K	HBLX4-12-130W-50K-[Blank, M, EM, MEM]	Premium
130W	120-277V	4000K	HBLX4-12-130W-40K-[Blank, M, EM, MEM]	Premium
180W	120-277V	4000K	HBLX4-22-180W-40K-[Blank, M, EM, MEM]	Premium
210W	120-277V	4000K	HBLX4-22-210W-40K-[Blank, M, EM, MEM]	Premium

Note: Only Above Models are Currently DLC Listed