

Features & Benefits

Durable, Die-Cast Aluminum Housing with Heat Dissipating Fins

Dark Bronze Polyester Powder-Coat Finish

Resistant to Shock and Vibration

Optional Adjustment Dial Allows the Fixture to Meet Higher Ambient Temperature Requirements

Hook (Default Included) or Conduit Pendant for Different Mounting Applications

120° Lens Guarantees Light Intensity and Light Uniformity

Optional Motion Sensor Offered for Maximizing Energy Savings



Housing

Symmetrical design for consistent installed results. A large number of heat sinks for maximum heat dissipation.

Combined with sensor detect added into systems, more energy would be saved and pretty less maintenance than HID technology.

Mounting

Suitable for Hook 3/4" Conduit pendant.

Motion Sensor

Optional motion sensor allows for security and energy saving.

Condenser Lens

A lens is both high temperature resistant and aesthetically pleasing to achieve maximum output luminous flux.



Technical Parameters

Power	Light Output	Input	Operating Temperature	Efficacy
200W-340W	32,000 lm -54,000 lm	120-277V	-40°F- 149°F	Up to 160 lm/W

Color Temperature	CRI	Certifications	Motion Sensor	Driver
4000K, 5000K	70 CRI	UL	Bi-Level PIR Sensor	1-10V Dimming

Mounting Options	Finish
Hook	DB, W, B

Performance Data

5000K (70 CRI)		
LED Watts	Lumens	LPW
200W	32,000 lm	160 lm/W
250W	39,000 lm	156 lm/W
300W	48,000 lm	160 lm/W
340W	54,000 lm	159 lm/W

4000K (70 CRI)		
LED Watts	Lumens	LPW
200W	32,000 lm	160 lm/W
250W	39,000 lm	156 lm/W
300W	48,000 lm	160 lm/W
340W	54,000 lm	159 lm/W

Ordering Information *Example: HBCX05-200W-50K*

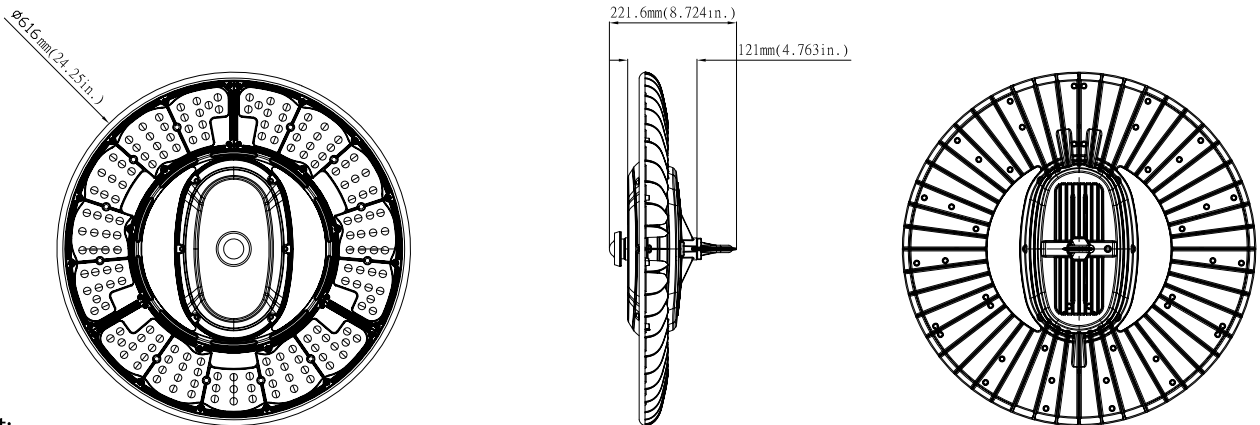
(Optional)

Model	Wattage	Voltage	CCT	Finish	Adjustment Dial	Sensor
HBCX 05	200W	Blank 120-277V	40K 4000K 50K 5000K	Blank Dark Bronze W White B Black	Blank Without adjustment dial AD With adjustment dial	M Motion Sensor
High Bay HBCX05 Series	250W 300W 340W	HV 347/480V				

Note:

1. 200W and 300W are obtained by 250W and 340W using adjustment dial.
2. 200W and 300W is recommended when the ambient temperature is -40 F to 149 F
3. 250W and 340W is recommended when the ambient temperature is -40 F to 131 F

Product Dimensions



Weight:

200W/250W: 16.27lb
300W/340W: 17.57lb

DLC Listed Models

System Watt	Voltage	CCT	DLC NO	DLC Classification
250W	120-277V	4000K	HBCX05-250W-40K-[Blank,W,B]-[Blank,AD]-[Blank,M]	Premium
340W	347/480V	5000K	HBCX05-340W-HV-50K-[Blank,W,B]-[Blank,AD]-[Blank,M]	Premium

Note: Only Above Models are Currently DLC Listed