

Features

- AC input voltage range: 90~305V.
- Low power consumption and high reliability.
- 8-15S delay when turn off.
- Strong anti-interference ability.
- Maximum working load: 750W filament lamps.
120Vac, 5A electronic ballast.
277Vac, 3A electronic ballast.
- Switch life is greater than 5000 cycles.
- Approved application patent.
- Suitable for dry and humid environment.



Product Description

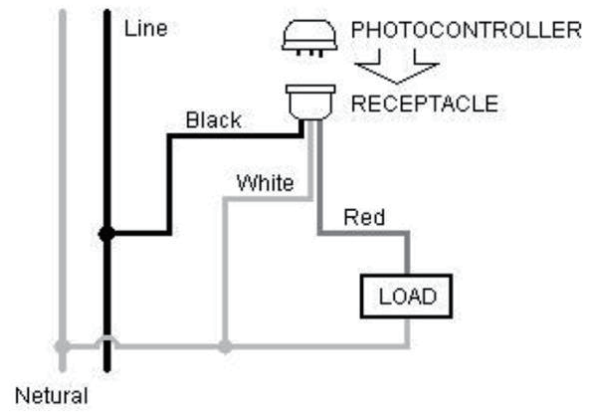
PSUNVB1 round twist-lock photocell is suitable for street lamps, advertising light boxes, signs and other equipment used in various places such as roads, outdoor lighting, building corridors, and park district lighting. Reliable function and high sensitivity. This product has a wide voltage range to meet the voltage requirements of each region. In addition, the preset 8-15 second delay prevents malfunctions caused by lightning, flashlights, car taillights at night. This product has been certified by UL certification and conform to the UL773 standard for non-industrial light control switches.

Product Parameters

Model No	MS-PSUNVB1
Voltage rating	90~305Vac (Certificated Input range: 100~277Vac)
Rated frequency	50/60Hz
Switch illumination	10~20Lx when turn on, 60~80Lx when turn off.
Maximum load	750W filament lamp. 120 V ac, 5 A electronic ballast/LED. 277 V ac, 3 A electronic ballast/LED.
Power consumption	0.7W
Ambient temperature	-40°C ~ +80°C
Ambient humidity	≤99%RH
Net weight	90g±2g
Product size	82(Dia.) x 64mm

Installation Instruction

- Disconnect power before installation.
- Fix the photocell base to the luminaire as the N-pole mark points to the lamp.
- Wire the photocell base according to the wiring diagram.
- Insert the photocell into the corresponding hole and twist clockwise tightly.
- Adjust the photocell position to ensure the glazing surface faces to north.



Structure Dimensions(mm)

