

## Features & Benefits

Rugged Die-Cast Aluminum Housing with Polyester Powder-Coated Finish

Mounts Directly to Wall Surface or Pole with Mounting Arm (Accessory Sold Separately)

Twist Lock Photocell Included

Suitable for Ambients from -40° F to 104° F

UL Listed for Wet Locations

5-Year Limited Warranty; Extended Labor Warranty Available Upon Request



## Technical Parameters

Power	Light Output	Power Input	Operating Temperature	Efficacy
45W, 90W	5,200 lm - 10,500 lm	120-277V	-40°F - 113°F	Up to 117 lm/W
Color Temperature	CRI	Certifications	Photocell	Mounting Options
4000K, 5000K	80 CRI	UL	Twist Lock	Surface, Mounting Arm
Finish				
SG, DB, B, W				

## Performance Data

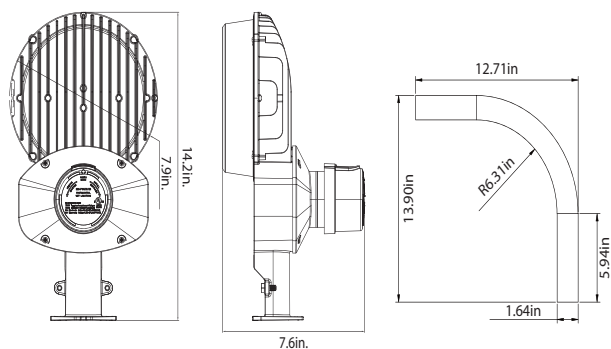
5000K		
LED Watts	Lumens	LPW
45W	5,200 lm	116 lm/W
65W	7,400 lm	114 lm/W
90W	10,500 lm	117 lm/W

4000K		
LED Watts	Lumens	LPW
45W	5,200 lm	116 lm/W
65W	7,400 lm	114 lm/W
90W	10,500 lm	117 lm/W

## Ordering Information *Example: ADDX5-45W-50K*

Model	Wattage	Voltage	CCT	Finish
<b>ADDX</b> Dusk to Dawn ADDX5 Series	45W 65W 90W	<b>Blank</b> 120-277V	<b>40K</b> 4000K <b>50K</b> 5000K	<b>Blank</b> Silver Gray <b>DB</b> Dark Bronze <b>B</b> Black <b>W</b> White

## Dimensions



Net Weight:

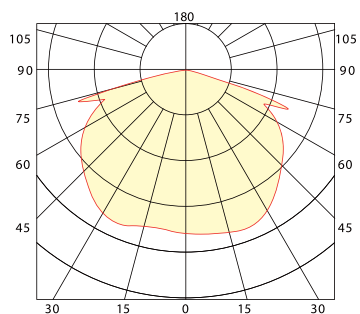
45W: 4.5393lb

65W: 4.8038lb

90W: 5.0287lb



## Photometrics

---



## Accessories

---

	<p><b>Mounting arm kit</b> (Optional) USE: For pole mounting</p>
	<p><b>Photocell</b> USE: Photocell is field installed or pre-installed in factory by requesting</p>