

Features & Benefits

Rugged Die-Cast Aluminum Housing with Polyester Powder-Coated Finish

Power Door for Easy Maintenance and 3G Vibration Rated Construction

Mounts Directly to Wall Surface or Pole with Mounting Arm (Accessory Sold Separately)

Twist Lock Photocell Included

Suitable for Ambients from -40° F to 113° F

UL Listed for Wet Locations

5-Year Limited Warranty



Technical Parameters

Power	Light Output	Power Input	Operating Temperature	Efficacy
27W, 40W	3,800 lm - 5,600 lm	120-277V	-40°F - 113°F	Up to 141 lm/W
Color Temperature	CRI	Certifications	Photocell	Mounting Options
4000K, 5000K	70 CRI	UL	Twist Lock	Surface, Mounting Arm
Finish				
SG, DB, B, W				

Performance Data

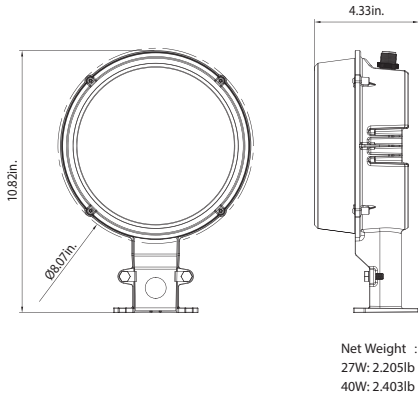
5000K		
LED Watts	Lumens	LPW
27W	3,800 lm	141 lm/W
40W	5,600 lm	140 lm/W

4000K		
LED Watts	Lumens	LPW
27W	3,780 lm	140 lm/W
40W	5,550 lm	139 lm/W

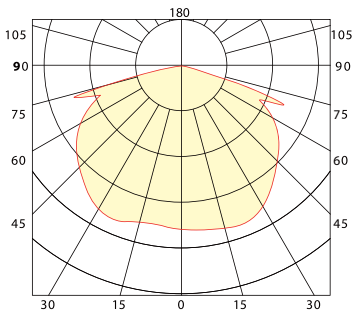
Ordering Information *Example: ADDX-40W-50K*

Model	Wattage	Voltage	CCT	Finish
ADDX Dusk to Dawn ADDX Series	27W 40W	Blank 120-277V	40K 4000K 50K 5000K	Blank Silver Gray DB Dark Bronze B Black W White

Dimensions



Photometrics



Accessories

