

DESCRIPTION

The ASYX 2.0 second generation of asymmetric lighting is designed for general ambient illumination and accenting architectural features. The luminaire allows for both forward and wide distributions as well four different color temperatures to accommodate any space. The ASYX 2.0 utilizes the patented and highly efficient AccuLED Optics™ system for industry leading performance. IP66 rated and optional natatorium finish.

Catalog #		Type
Project		
Comments		Date
Prepared by		

SPECIFICATION FEATURES

Construction

Heavy-wall die cast aluminum end caps with extruded aluminum housing. Housing fins allow for air flow and thermal management. Fixture is rated to 40°C. Weight: 45 lbs / fixture head (Includes housing and knuckle. Pendant stem weight varies)

Electrical

Standard drivers feature electronic universal voltage (120-277V/ 50-60 Hz), greater than 0.9 power factor, less than 20% harmonic distortion, and ambient temperature range of 40°C (104°F) to minimum starting temp of -30°C (-22°F). 0-10V dimming standard with DALI option available. Max amp draw @ 120V is 1.5 Amps.

LED Optics

ASYX 2.0 luminaire utilizes patented, high efficiency AccuLED Optics with specific optical distributions. Each lens is injection molded for precision, arranged and sealed onto a board substrate. LEDs are industry leading high output with standard product at 93% lumen maintenance at 60,000 hours. Offered

in 80+ CRI for 2700K, 3000K, and 3500K CCT, and 70+ CRI for 4000K CCT. The ASYX 2.0 also offers +/- 90°, or 180° rotated optics.

Mounting

Die cast adjustable knuckle, bolts to housing. Fixture mounts to recessed junction box (by others) using wall plate, or surface mount box with conduit entry option. See installation instructions for mounting conditions to ensure adequate support. Fixture has continuous adjustability, 20° up to 20° down with locking mechanism, as well as upward facing or downward facing.

Finish

Fixture housing is coated using electrostatically charged polyester powder coat paint for superior protection against fade and wear. Mounting plate and all accessories to match specified color of luminaire housing. Standard colors include white, silver, black, bronze, and custom RAL color match available.

Compliance

Components are UL recognized and luminaires are cULus listed for 40°C

ambient environments, wet location listed, and RoHS compliant. IP66 Rated.

Environment

Suited for indoor, outdoor (wet location listed, IP66 rated). See details below. Natatorium fixtures are also suitable for applications in salt water environments.

Natatorium

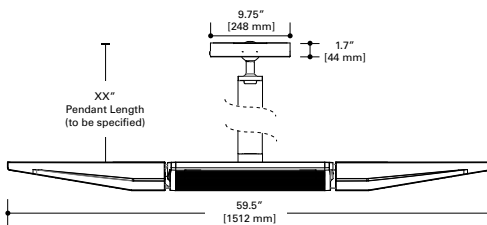
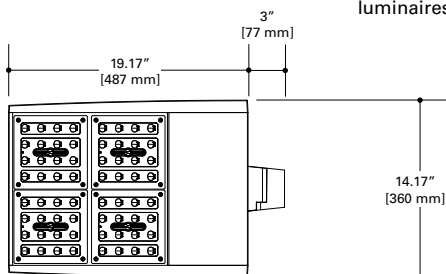
Construction consists of specialized protective coating on all metal components, stainless steel hardware, and sealed LEDs. 80% lumen maintenance at 60,000 hours. Salt Fog testing per ASTM B117-73.

Control

Standard offering is 0-10V dimming and energy saving integral sensor device available. 0-10V dimming current draw is 0.2 mA per driver. Digital Addressable Lighting Interface (DALI) driver option can be used with Fifth Light Technology.

Life and Warranty

Standard five-year limited warranty on all parts.



ASYX-QP L4

LED

Quad Pendant
Asymmetric Direct
Asymmetric Indirect

CERTIFICATION DATA
UL/cUL Wet Location Listed
LM79 / LM80 Compliant
IP66 Rated
DLC qualified product

ENERGY DATA
>0.9 Power Factor
<20% Total Harmonic Distortion
120V - 277V 50/60 Hz
-30°C Min Temperature
40°C Max Temperature



ORDERING INFORMATION

Sample Number: ASYX-QP-L4-ID-U-F-L35-1-UNV-W-R-84-STD-SVPD2-R90

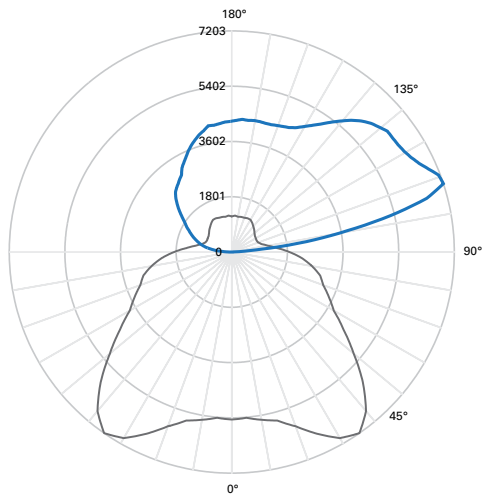
Series	Mounting	Size	Light Level ⁽¹⁾	Environment	Orientation ⁽²⁾	Distribution	Color Temperature (Wattage for QP-L4 = 860 W) ⁽¹⁾				# of Circuits	Input ⁽³⁾ Voltage
							L27 Delivered Lumens	L30 Delivered Lumens	L35 Delivered Lumens	L40 Delivered Lumens		
ASYX = Asymmetric LED Luminaire	QP = Quad Pendant	L = Large	4 = 4 Light Squares, (see Color Temp for CCT, lumen output, and wattage)	ID = Indoor OD = Outdoor NT = Natatorium	U = Uplight D = Downlight	F = Forward throw W = Wide throw HSS = Backlight Shielded	69,372	72,952	76,532	88,968	1 2	UNV 347
							70,216	73,840	77,464	90,048		
							46,476	48,876	51,276	59,604		

Finish	Mounting Surface	Pendant Length	Driver	Integral Control ⁽²⁾⁽⁴⁾ (Optional)	Accessories ⁽⁴⁾ (Optional)
W = White S = Silver B = Black Z = Bronze C = Custom Color	R = Mounting Plate C = Surface Canopy AR = Adjustable sloped adapter for recessed junction box AC = Adjustable sloped adapter for surface mount junction box	32 = (32" pendant stem) 48 = (48" pendant stem) 96 = (96" pendant stem) XX = Custom length. (Specify length from 24" to 120") (XX) Custom pendant lengths require longer production lead times	STD = Standard 0-10V 5LT-DAC = Fifth Light DALI DAC	SVPD2 = Standalone Occupancy/Daylight Sensor	ISHH-01-A = Programming Remote for integrated sensor ISHH-02-A = Personal Control Remote for integrated sensor

See page 3 for Technical Notes.

Specifications and dimensions subject to change without notice. See additional information on the following pages.

PHOTOMETRICS



FILE NAME: ASYX-X-L4-X-U-F-L40-1-UNV-X-X-X-STD
LAMP: 4000K
OPTIC DISTRIBUTION: Forward
DELIVERED LUMENS: 22241.8
INPUT WATTS: 215 W
EFFICACY: 103.5 LPW
TEST REPORT: P213146

ZONAL LUMEN SUMMARY

Zone	Delivered Lumens	% Fixture
90°-100°	711.7	0.032
100°-110°	2989.3	0.1344
110°-120°	4070.2	0.183
120°-130°	3994.6	0.1796
130°-140°	3614.3	0.1625
140°-150°	2911.5	0.1309
150°-160°	2148.6	0.0966
160°-170°	1432.4	0.0644
170°-180°	458.2	0.0206
0°-180°	22241.8	1

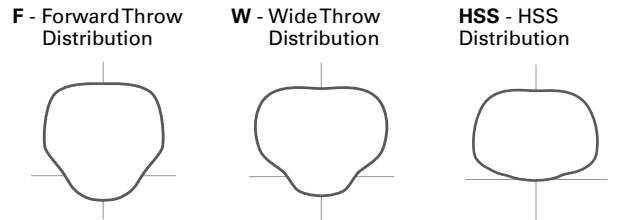
Vertical Distribution through peak candela

Horizontal Distribution through peak candela

LUMEN MAINTENANCE

Ambient Temperature	TM-21 Lumen Maintenance (60,000 Hours)	Theoretical L90 (Hours)
25°C	> 96%	130,000
35°C	> 93%	91,000
40°C	> 95%	117,000

DISTRIBUTION

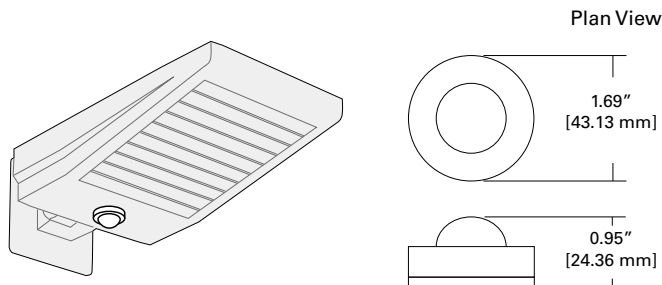


PRODUCT LINE OVERVIEW

ASYX 2.0 SUMMARY TABLE (Based on 4000K, Wide Throw Distribution)

PRODUCT NAME:	MOUNTING	SL	S1	S2	S3	S4	L3	L4	L5	L6
NUMBER OF LIGHT SQUARES:		1	1	2	3	4	3	4	5	6
DELIVERED LUMENS:	WM/SP	3,355	5,419	11,084	16,656	22,323	17,287	22,512	28,879	34,072
	DP	6,710	10,838	22,168	33,312	44,646	34,574	45,024	57,758	68,144
	QP	13,420	21,676	44,336	66,624	89,292	69,148	90,048	115,516	136,288
WATTAGE:	WM/SP	28	55	107	158	214	160	215	268	319
	DP	55	110	214	316	428	320	430	536	638
	QP	111	220	428	632	856	640	860	1,072	1,276
LPW:		121	99	104	105	104	108	105	108	107
HID EQUIVALENT:	WM/SP	39 W	70 W	150 W	250 W	320 W	250 W	320 W	400 W	2 x 250 W

CONTROL

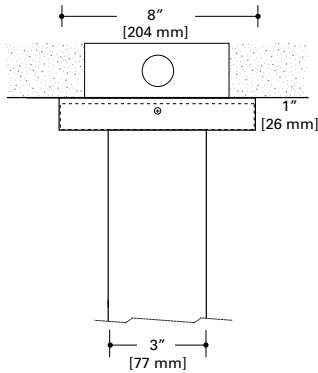


SV - The integral sensor is a fully integrated sensor with no additional wiring or special installation required. Passive infrared occupancy detection is the technology used and the light sensor uses a closed-loop daylight harvester with day, twilight and night settings. Energy Saver setting dims to a lower light level when unoccupied. An infrared receiver is used for programming with a remote control. Indicator light is used for occupancy status and programming confirmation. Integral sensor only controls one fixture unit.

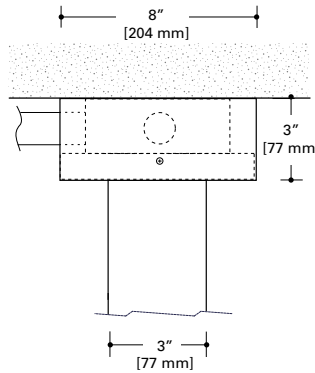
ISHH-01-A - Programming Remote for Integrated Sensor
ISHH-02-A - Personal Control Remote for Integrated Sensor

MOUNTING

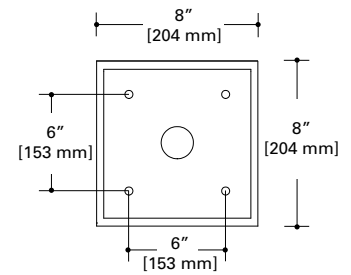
R - Recessed junction box option:
8.4" x 5" wall plate mounts to standard junction box.



C - Conduit Entry option:
Surface metal box fits over standard junction box with conduit entry option on all sides.



Mounting Plate



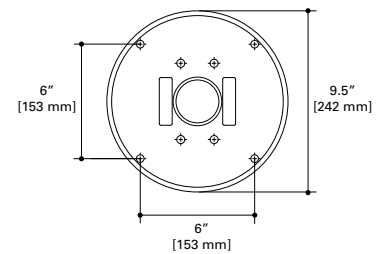
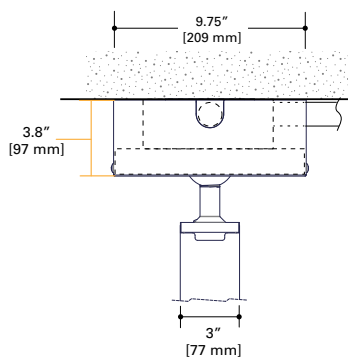
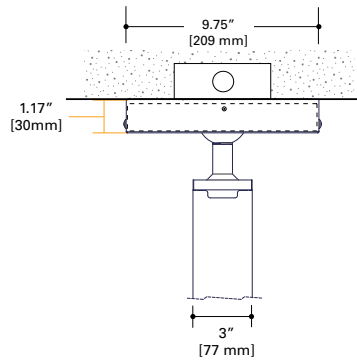
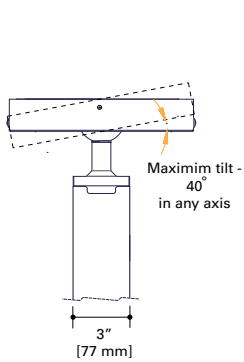
Adjustable Sloped Adapter that can mount in any axis due to ball and socket joint.
Available for recessed junction box or surface junction box.

Sloped Adapter has up to 40° tilt in any sloped ceiling condition

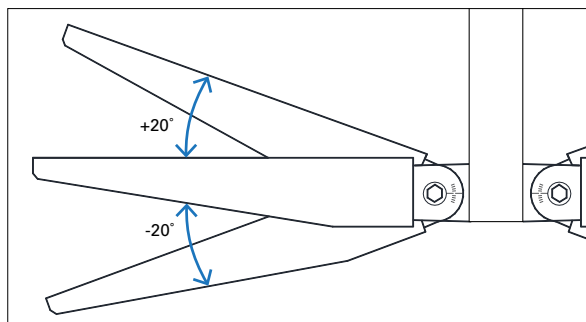
AR – Adjustable Sloped Adapter for recessed junction box

AC – Adjustable Sloped Adapter for surface junction box

Mounting Plate

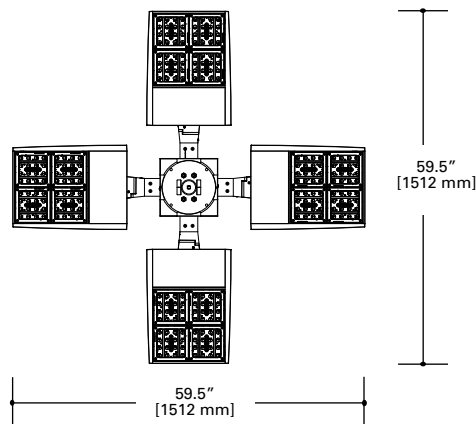


AIMING



The ASYX 2.0 features +/-20° adjustable aiming as standard

PLAN VIEW



TECHNICAL NOTES

1. Values are per fixture head.
2. Integral Sensor cannot be selected in "D", downlight orientation. Integral sensor available in single circuit option only and is not available with DALI option. Integral sensor optimum coverage height: 8ft for SL/S1/S2 and 40ft for S3/S4/L3/L4/L5/L6. Integral sensor color is white for "White" finish selection and brown for "silver, bronze, or black" finish selections.
3. SV sensor not available with 347V.
4. See "Control" section for explanation.