

DESCRIPTION

The ASYX 2.0 second generation of asymmetric lighting is designed for general ambient illumination and accenting architectural features. The luminaire allows for both forward and wide distributions as well four different color temperatures to accommodate any space. The ASYX 2.0 utilizes the patented and highly efficient AccuLED Optics™ system for industry leading performance. IP66 rated and optional natatorium finish.

| | | |
|--------------------|--|-------------|
| Catalog # | | Type |
| Project | | |
| Comments | | Date |
| Prepared by | | |

SPECIFICATION FEATURES

Construction

Heavy-wall die cast aluminum end caps with extruded aluminum housing. Housing fins allow for air flow and thermal management. Fixture is rated to 40°C. Weight: 42 lbs/ fixture head (Includes housing and knuckle. Pendant stem weight varies)

Electrical

Standard drivers feature electronic universal voltage (120-277V/ 50-60 Hz), greater than 0.9 power factor, less than 20% harmonic distortion, and ambient temperature range of 40°C (104°F) to minimum starting temp of -30°C (-22°F). 0-10V dimming standard with DALI option available. Max amp draw @120V is 1.5 Amps.

LED Optics

ASYX 2.0 luminaire utilizes patented, high efficiency AccuLED Optics with specific optical distributions. Each lens is injection molded for precision, arranged and sealed onto a board substrate. LEDs are industry leading high output with standard product at 93% lumen maintenance at 60,000 hours. Offered in 80+ CRI for 2700K, 3000K, and 3500K

CCT, and 70+ CRI for 4000K CCT. The ASYX 2.0 also offers +/- 90°, or 180° rotated optics.

Mounting

Die cast adjustable knuckle, bolts to housing. Fixture mounts to recessed junction box (by others) using wall plate, or surface mount box with conduit entry option. See installation instructions for mounting conditions to ensure adequate support. Fixture has continuous adjustability, 20° up to 20° down with locking mechanism, as well as upward facing or downward facing.

Finish

Fixture housing is coated using electrostatically charged polyester powder coat paint for superior protection against fade and wear. Mounting plate and all accessories to match specified color of luminaire housing. Standard colors include white, silver, black, bronze, and custom RAL color match available.

Compliance

Components are UL recognized and luminaires are cULus listed for 40°C

ambient environments, wet location listed, and RoHS compliant. IP66 Rated.

Environment

Suited for indoor, outdoor (wet location listed, IP66 rated). See details below. Natatorium fixtures are also suitable for applications in salt water environments.

Natatorium

Construction consists of specialized protective coating on all metal components, stainless steel hardware, and sealed LEDs. 80% lumen maintenance at 60,000 hours. Salt Fog testing per ASTM B117-73.

Control

Standard offering is 0-10V dimming and energy saving integral sensor device available. 0-10V dimming current draw is 0.2 mA per driver. Digital Addressable Lighting Interface (DALI) driver option can be used with Fifth Light Technology.

Life and Warranty

Standard five-year limited warranty on all parts.



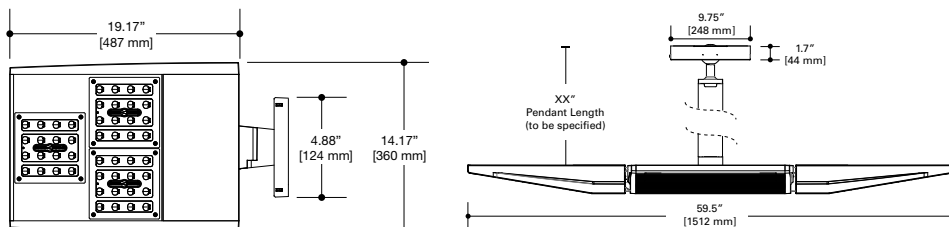
ASYX-QP L3

LED

Quad Pendant
Asymmetric Direct
Asymmetric Indirect

CERTIFICATION DATA
UL/cUL Wet Location Listed
LM79 / LM80 Compliant
IP66 Rated
DLC qualified product

ENERGY DATA
>0.9 Power Factor
<20% Total Harmonic Distortion
120V - 277V 50/60 Hz
-30°C Min Temperature
40°C Max Temperature



ORDERING INFORMATION

Sample Number: ASYX-QP-L3-ID-U-F-L35-1-UNV-W-R-60-STD-SVPD2-R90

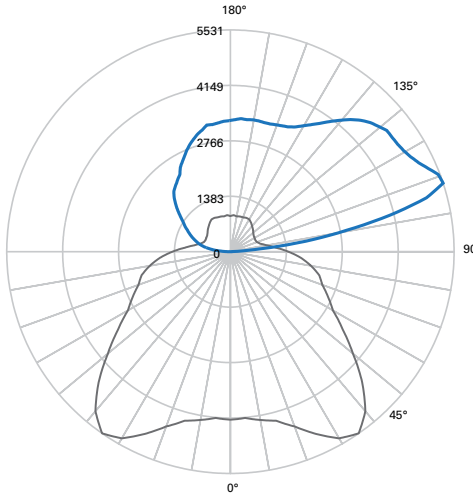
| Series | Mounting | Size | Light Level ⁽¹⁾ | Environment | Orientation ⁽²⁾ | Distribution | Color Temperature (Wattage for QP-L3 = 640 W) | | | | # of Circuits | Input ⁽³⁾ Voltage | |
|---------------------------------|-------------------|-----------|--|--|------------------------------|--------------|---|----------------------|----------------------|----------------------|---------------|------------------------------|---------|
| | | | | | | | L27 Delivered Lumens | L30 Delivered Lumens | L35 Delivered Lumens | L40 Delivered Lumens | | | |
| ASYX = Asymmetric LED Luminaire | QP = Quad Pendant | L = Large | 3 = 3 Light Squares, (see Color Temp for CCT, lumen output, and wattage) | ID = Indoor OD = Outdoor NT = Natatorium | U = Uplight D = Downlight | | F = Forward throw | 53,272 | 56,020 | 58,772 | 68,320 | 1 | UNV 347 |
| | | | | | | | W = Wide throw | 53,920 | 56,700 | 59,484 | 69,148 | | |
| | | | | | | | HSS = Backlight Shielded Throw | 35,692 | 37,532 | 39,376 | 45,772 | | |

| Finish | Mounting Surface | Pendant Length | Driver | Integral Control ⁽²⁾⁽⁴⁾ (Optional) | Accessories ⁽⁴⁾ (Optional) |
|--|---|--|--|---|---|
| W = White S = Silver B = Black Z = Bronze C = Custom Color | R = Mounting Plate C = Surface Canopy AR = Adjustable sloped adapter for recessed junction box AC = Adjustable sloped adapter for surface mount junction box | 32 = (32" pendant stem) 48 = (48" pendant stem) 96 = (96" pendant stem) XX = Custom length. (Specify length from 24" to 120") (XX) Custom pendant lengths require longer production lead times | STD = Standard 0-10V 5LT-DAC = Fifth Light DALI DAC | SVPD2 = Standalone Occupancy/Daylight Sensor | ISHH-01-A = Programming Remote for integrated sensor ISHH-02-A = Personal Control Remote for integrated sensor |

See page 3 for Technical Notes.

Specifications and dimensions subject to change without notice. See additional information on the following pages.

PHOTOMETRICS



Vertical Distribution through peak candela

Horizontal Distribution through peak candela

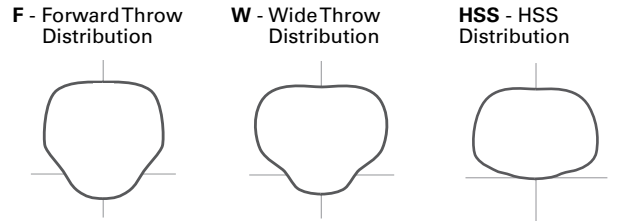
| |
|---|
| FILE NAME: ASYX-X-L3-X-U-F-L40-1-UNV-X-X-STD |
| LAMP: 4000K |
| OPTIC DISTRIBUTION: Forward |
| DELIVERED LUMENS: 17080 |
| INPUT WATTS: 160.1 W |
| EFFICACY: 106.7 PW |
| TEST REPORT: P213145 |

| ZONAL LUMEN SUMMARY | | |
|---------------------|------------------|-----------|
| Zone | Delivered Lumens | % Fixture |
| 90°-100° | 546.6 | 0.032 |
| 100°-110° | 2295.5 | 0.1344 |
| 110°-120° | 3125.6 | 0.183 |
| 120°-130° | 3067.5 | 0.1796 |
| 130°-140° | 2775.5 | 0.1625 |
| 140°-150° | 2235.7 | 0.1309 |
| 150°-160° | 1649.9 | 0.0966 |
| 160°-170° | 1099.9 | 0.0644 |
| 170°-180° | 351.8 | 0.0206 |
| 0°-180° | 17079.7 | 1 |

LUMEN MAINTENANCE

| Ambient Temperature | TM-21 Lumen Maintenance (60,000 Hours) | Theoretical L90 (Hours) |
|---------------------|--|-------------------------|
| 25°C | > 96% | 130,000 |
| 35°C | > 93% | 91,000 |
| 40°C | > 95% | 117,000 |

DISTRIBUTION

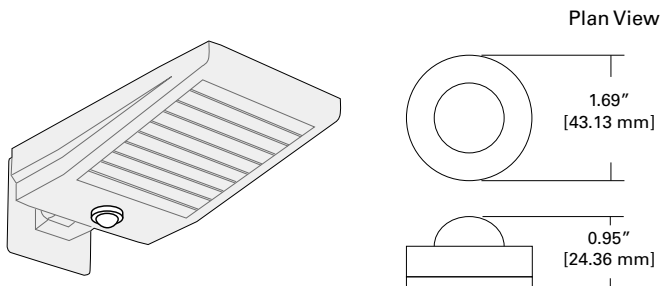


PRODUCT LINE OVERVIEW

ASYX 2.0 SUMMARY TABLE (Based on 4000K, Wide Throw Distribution)

| PRODUCT NAME: | MOUNTING | SL | S1 | S2 | S3 | S4 | L3 | L4 | L5 | L6 |
|---------------------------------|----------|--------|--------|--------|--------|--------|--------|--------|---------|-----------|
| NUMBER OF LIGHT SQUARES: | | 1 | 1 | 2 | 3 | 4 | 3 | 4 | 5 | 6 |
| DELIVERED LUMENS: | WM/SP | 3,355 | 5,419 | 11,084 | 16,656 | 22,323 | 17,287 | 22,512 | 28,879 | 34,072 |
| | DP | 6,710 | 10,838 | 22,168 | 33,312 | 44,646 | 34,574 | 45,024 | 57,758 | 68,144 |
| | QP | 13,420 | 21,676 | 44,336 | 66,624 | 89,292 | 69,148 | 90,048 | 115,516 | 136,288 |
| WATTAGE: | WM/SP | 28 | 55 | 107 | 158 | 214 | 160 | 215 | 268 | 319 |
| | DP | 55 | 110 | 214 | 316 | 428 | 320 | 430 | 536 | 638 |
| | QP | 111 | 220 | 428 | 632 | 856 | 640 | 860 | 1,072 | 1,276 |
| LPW: | | 121 | 99 | 104 | 105 | 104 | 108 | 105 | 108 | 107 |
| HID EQUIVALENT: | WM/SP | 39 W | 70 W | 150 W | 250 W | 320 W | 250 W | 320 W | 400 W | 2 x 250 W |

CONTROL

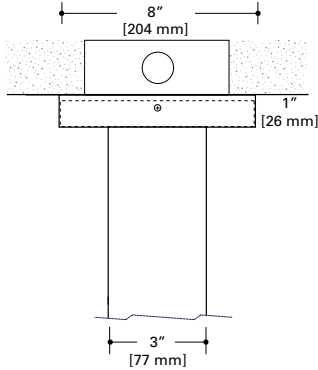


SV - The integral sensor is a fully integrated sensor with no additional wiring or special installation required. Passive infrared occupancy detection is the technology used and the light sensor uses a closed-loop daylight harvester with day, twilight and night settings. Energy Saver setting dims to a lower light level when unoccupied. An infrared receiver is used for programming with a remote control. Indicator light is used for occupancy status and programming confirmation. Integral sensor only controls one fixture unit.

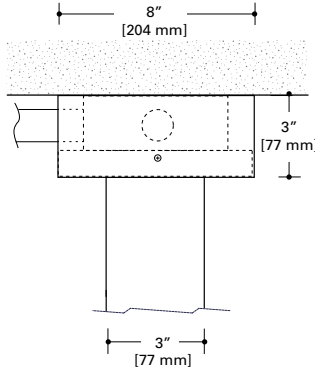
ISHH-01-A - Programming Remote for Integrated Sensor
ISHH-02-A - Personal Control Remote for Integrated Sensor

MOUNTING

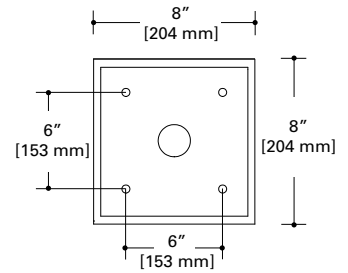
R - Recessed junction box option:
8.4" x 5" wall plate mounts to standard junction box.



C - Conduit Entry option:
Surface metal box fits over standard junction box with conduit entry option on all sides.



Mounting Plate



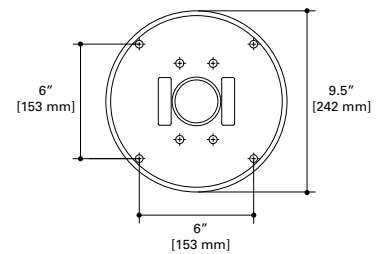
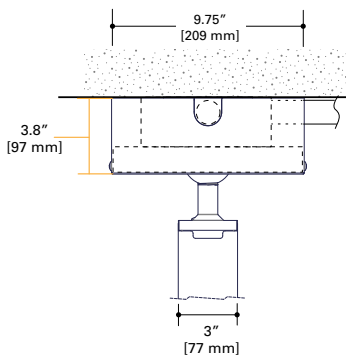
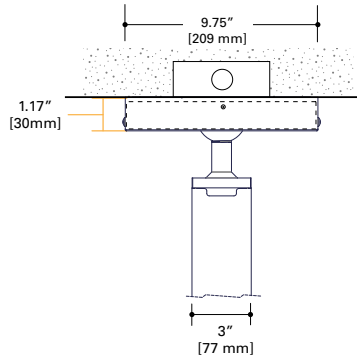
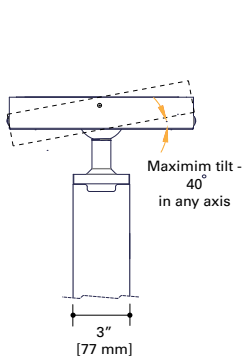
Adjustable Sloped Adapter that can mount in any axis due to ball and socket joint.
Available for recessed junction box or surface junction box.

Sloped Adapter has up to 40° tilt in any sloped ceiling condition

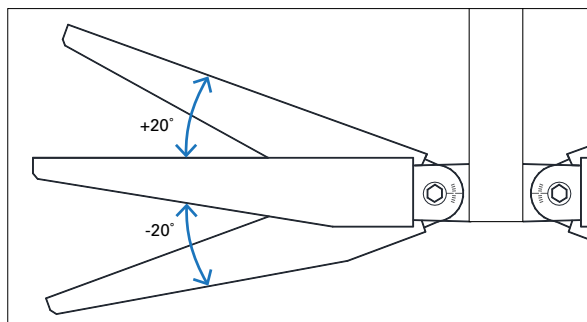
AR - Adjustable Sloped Adapter for recessed junction box

AC - Adjustable Sloped Adapter for surface junction box

Mounting Plate

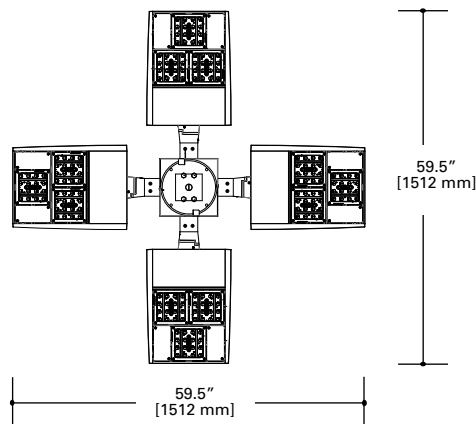


AIMING



The ASYX 2.0 features +/-20° adjustable aiming as standard

PLAN VIEW



TECHNICAL NOTES

1. Values are per fixture head.
2. Integral Sensor cannot be selected in "D", downlight orientation. Integral sensor available in single circuit option only and is not available with DALI option. Integral sensor optimum coverage height: 8ft for SL/S1/S2 and 40ft for S3/S4/L3/L4/L5/L6. Integral sensor color is white for "White" finish selection and brown for "silver, bronze, or black" finish selections.
3. SV sensor not available with 347V.
4. See "Control" section for explanation.