

ASYX 2.0
LED Asymmetric Luminaires

AMETRIX



 **COOPER**
Lighting Solutions

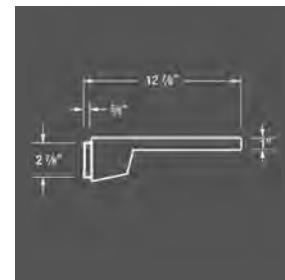
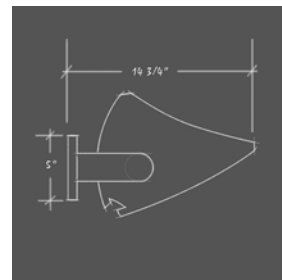
ASYX 2.0



The ASYX 2.0 is a full line of scalable, asymmetric, LED lighting solutions, covering a range of lumen outputs and wattages needed for architectural indoor and outdoor spaces. The ASYX 2.0 uses the industry's highest output LEDs in conjunction with Cooper Lighting Solution's technologies and innovative platforms: Innovation you can rely on. The ASYX 2.0 features sophisticated mechanical design, wide lumen range, low wattages, multiple distributions and mounting options, and standard color temperature ranges. The ASYX 2.0 is ideal for both new construction and retrofit solutions to HID equivalents, in a compact and efficacious package.

Introducing the ASYX 2.0 family of asymmetric lighting

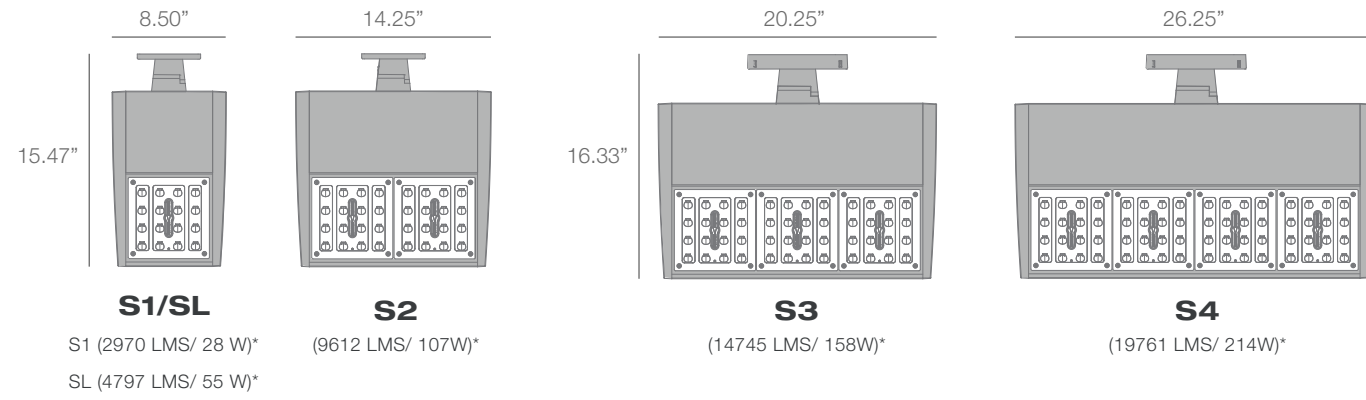
An evolution of asymmetric LED lighting is finally here...



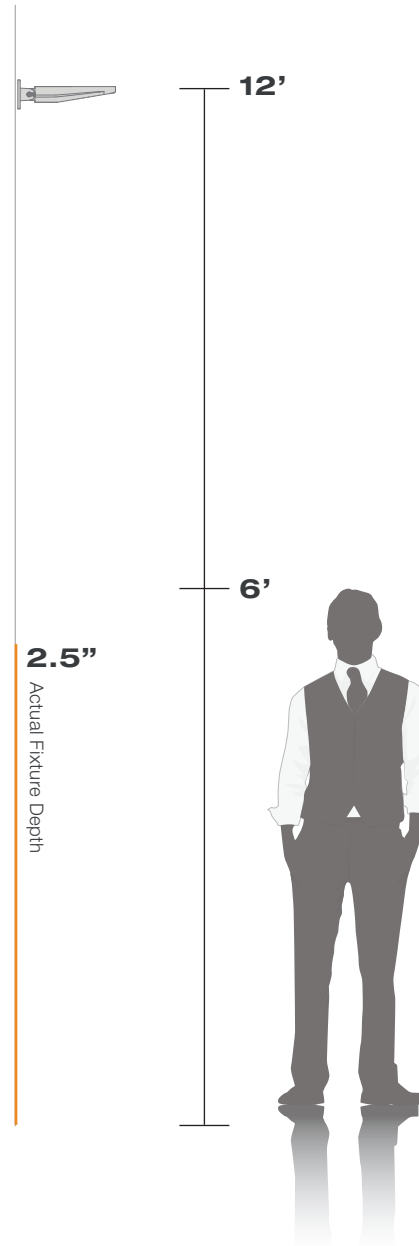
From HID lamp and reflector envelope systems, to the new asymmetric solution...

KEY FEATURES

SMALL FIXTURE



* Based on 4000K and Wide throw distribution

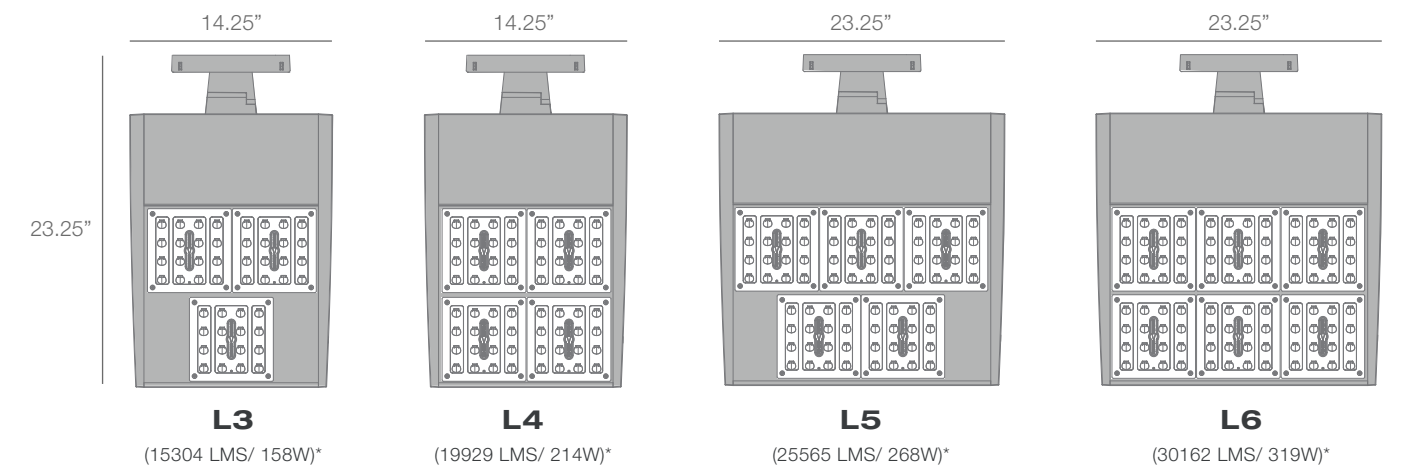


SMALL

Asyx 2.0 offers 1, 2, 3, or 4, light square options in four different housing lengths, while keeping the slim depth of 2.5". Choose your light level, then choose your size.

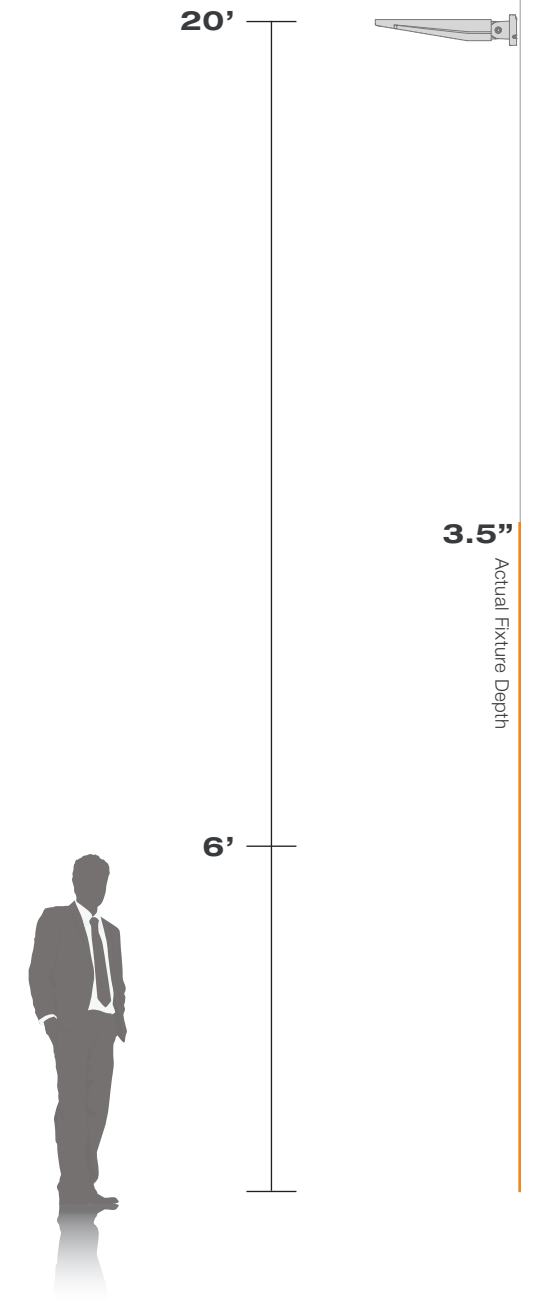
KEY FEATURES

LARGE FIXTURE



LARGE

Asyx 2.0 offers 3, 4, 5, & 6 light square options in two different housing sizes, while keeping the slim depth of 3.5". Choose your light level, then choose your size.





OFFICE

Office spaces trend toward higher ceilings and larger volumetric open spaces. The ASYX 2.0 can be installed in discreet mounting locations and can use integrated controls to compliment any controls system utilizing 0-10V dimming standard protocol, as well as DALI interface, and Cooper Lighting Solution's 5th Light Control Systems. The optional integrated sensor is both an occupancy sensor and daylight control sensor, making the office setting an optimum choice for the ASYX 2.0.



OUTDOOR

The ASYX 2.0 is wet location listed for outdoor applications, and ideal for facade lighting and canopies (excluding the large, 6 light square option, the L6). With sealed gaskets and electrostatic powder coat finish, the led luminaires can withstand high temperatures and is rated for 40°C ambient environments in all mounting platforms. The ASYX 2.0 family has been UL tested in both the upward facing direction and the downward facing direction as high temperatures in either position, can be a factor in performance. In the downward position, for facade lighting and wall washing, a rigid knuckle mount option complies with code regulations for dark sky ordinances.



AIRPORT

Large volumetric spaces are the perfect application for the ASYX 2.0. A key feature is the rotating optics, which allows for light output to change while the housing stays stationary. The LED boards can be specified and factory set, to aim in the 0°, 90°, 180°, and 270° arrangements. This feature allows the housing to stay in the same orientation, while the optics rotates to the preferred position.



EDUCATION

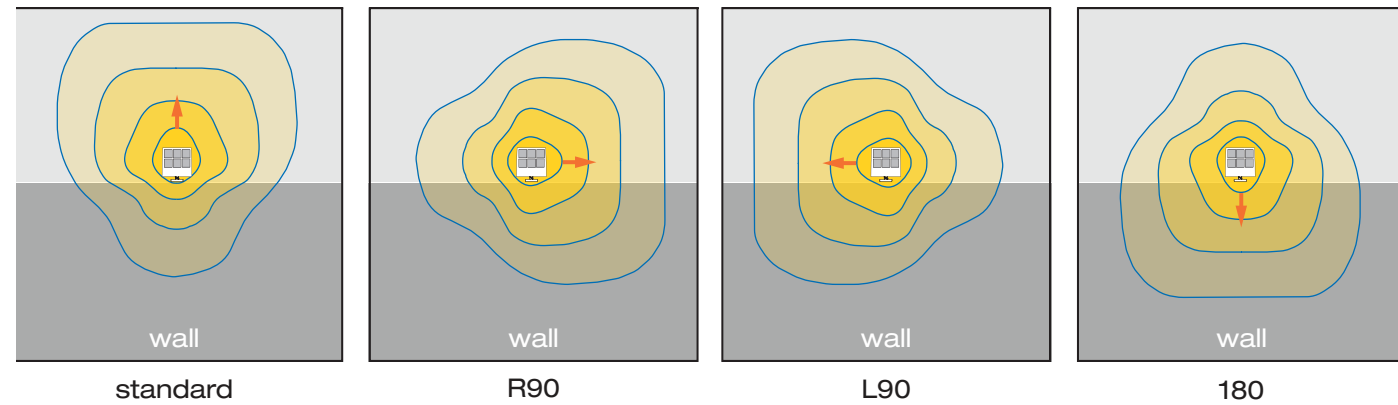
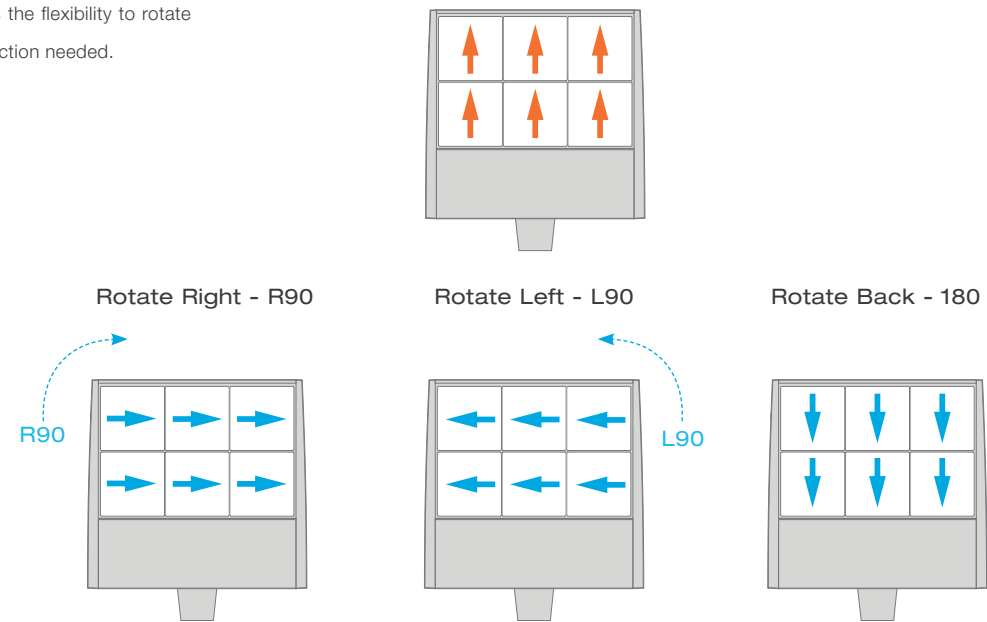
The ASYX 2.0 is ideal for new construction and retrofit applications. The retrofit or "C" surface mount conduit option can be mounted to an existing surface mount junction box. A decorative cover, with knock outs for side conduit entry, slides over the existing junction box for a clean installation. This in conjunction with a mounting plate and attachment wire, make the ASYX 2.0 an easy choice from specification to installation.

KEY FEATURES

OPTICAL ORIENTATION

The option of rotated optics allows the fixture to keep in alignment with mounting directions, but gives the flexibility to rotate the throw in the direction needed.

Standard Aiming Direction



REFERENCE

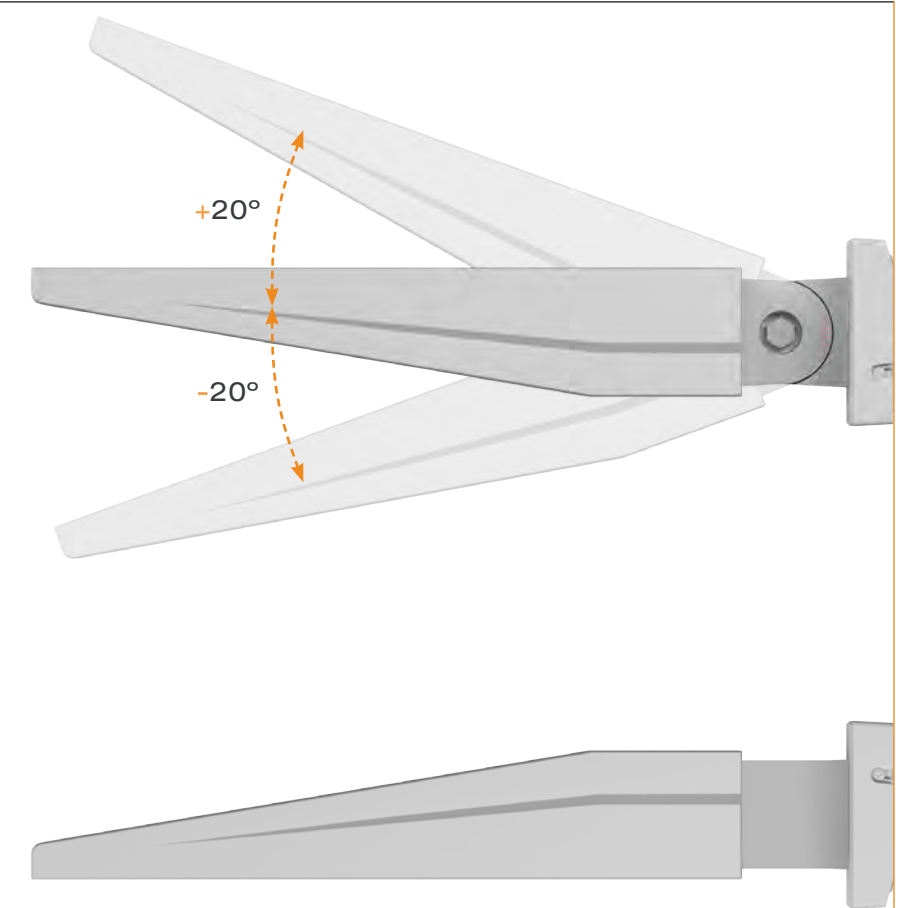
ASYX 2.0 SUMMARY TABLE									
PRODUCT NAME	SL	S1	S2	S3	S4	L3	L4	L5	L6
NUMBER OF LIGHT SQUARES	1	1	2	3	4	3	4	5	6
LUMENS	2970	4797	9812	14745	19761	15304	19929	25565	30162
WATTAGE:	27.5	55	107	158	214	158	214	268	319
LPW	108	87	92	93	92	97	93	95	95
HID EQUIVALENT	39W	70W	150W	250W	320W	250W	320W	400W	2 x 250W

Note: Based on 4000K, Wide Throw Distribution

KEY FEATURES

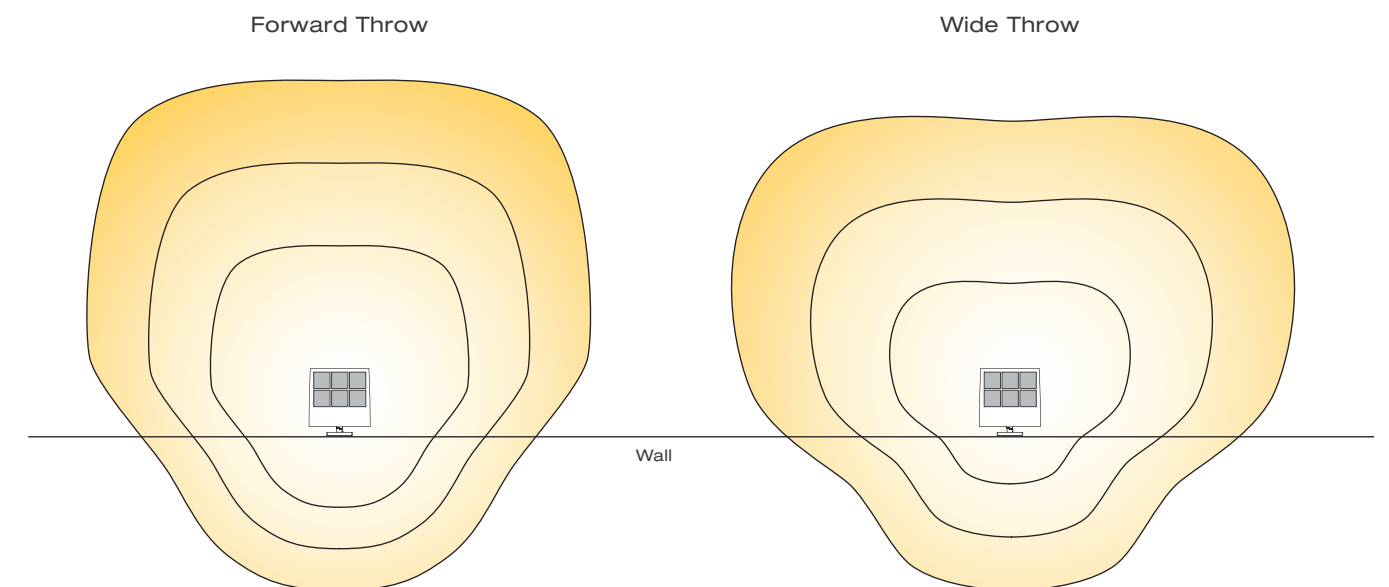
AIMING

The new ASYX Gen II offers +/- 20° aiming standard on all fixtures. The minimalistic knuckle design minimizes the fixture profile while allowing for flexibility in the field for adjusting the direction of the light to where it is needed. Continuous aiming is available with 5° notched increments in knuckle base for perfect aiming alignment.



Fixture is also available in the downward position to allow for wall washing. The "RM" is a fixed knuckle option, to appease local code ordinances in regards to dark sky.

DISTRIBUTION





FITNESS

The ASYX 2.0 fits into challenging spaces, especially complicated architecture that doesn't easily lend itself to be illuminated or have ideal mounting locations. Higher lumen packages combined with options in forward and wide throw optics, inherently minimizes fixture quantity while delivering maximum performance. Larger lumen packages equate to 400W MH and above, and with the dual pendant configuration, can be close to 1000W MH replacements.



HOSPITALITY

The minimalistic design allows the ASYX 2.0 to fade into its surroundings while delivering high lumen output. Specific to hospitality settings, the shallow housing is unobtrusive, and provides soft, indirect, ambient illumination. The slim profile of the fixture housing blends in with its environment as if to disappear while still providing maximum outputs. The warmer color temperature range of 2700K and 3000K accommodates softer settings. The 0-10V standard dimming capabilities provide compatibility with control systems to accommodate light levels for these environments.



SWIMMING POOL *

The ASYX 2.0 is an industry leading fixture for pool environments. The harsh chemicals used in these environments can impact performance of LEDs. The ASYX 2.0 treats all exposed hardware and materials with a protective sealant, as well as sealing the LEDs at the board level. The high efficient AccuLED optics provide great forward or wide throw distributions which allow fixtures to be installed effectively without having to be over pool environments, thus easing serviceability of installed fixtures.

* Please consult factory for availability.



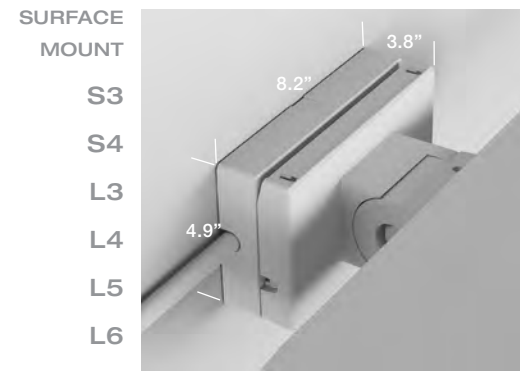
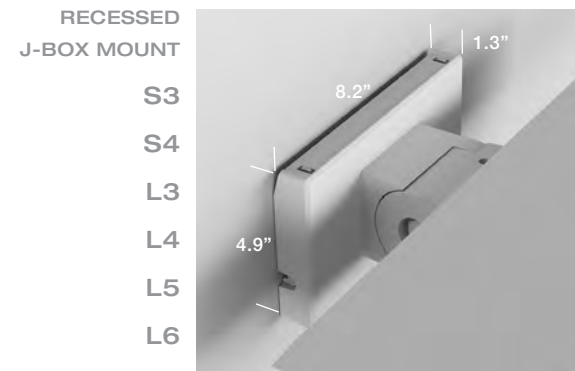
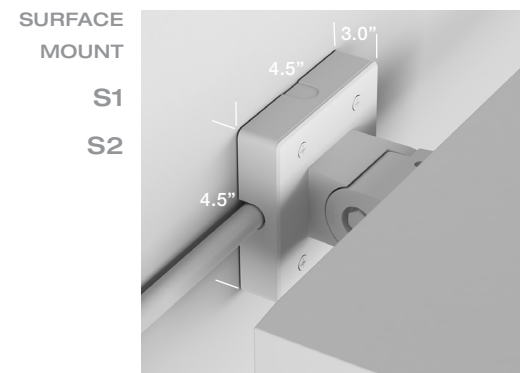
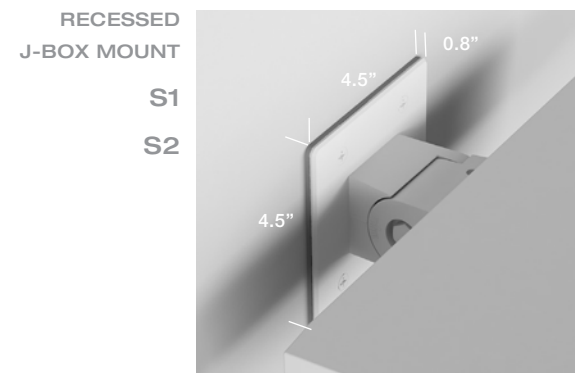
GATHERING HALL

Large event spaces like convention centers or places of worship, are a natural setting for the ASYX 2.0. With warmer color temperature options, like 2700K and +/- 20° aiming, the fixture family of luminaires provides flexibility in placing the light where it needs to go. Utilizing the industry's highest output LEDs and patented optics, the ASYX 2.0 minimizes quantities, while delivering maximum performance.

ASYX 2.0

KEY FEATURES

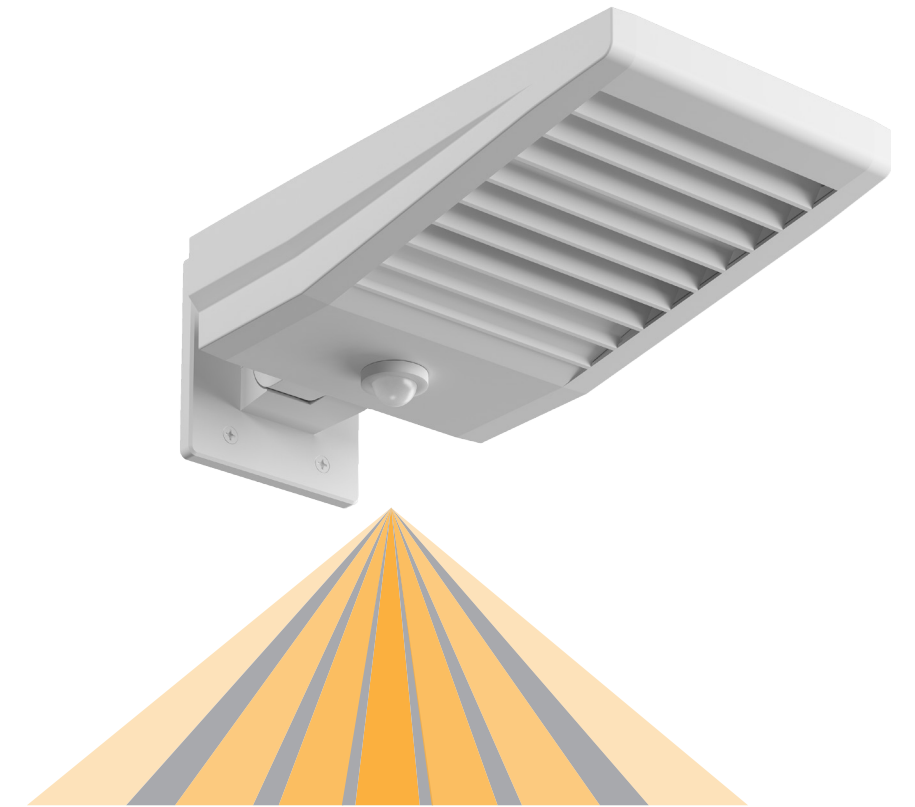
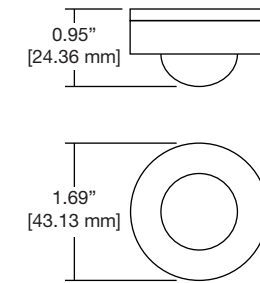
WALL MOUNTING (WM)



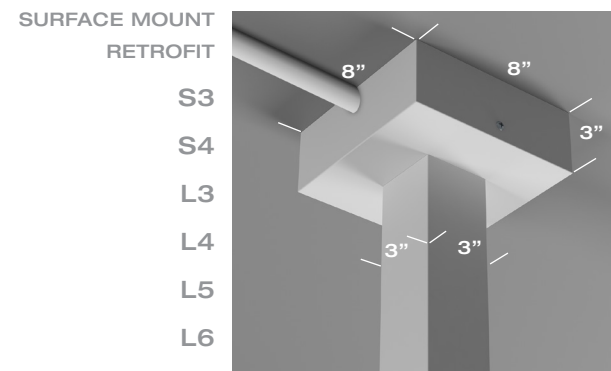
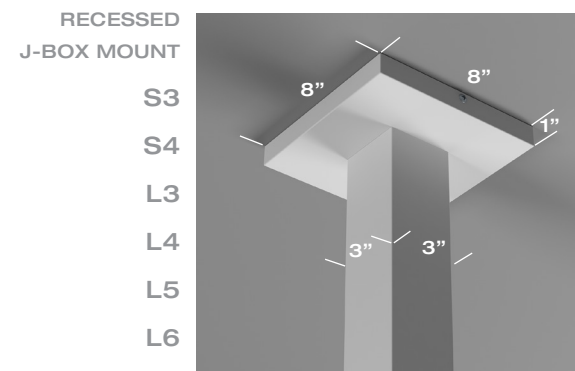
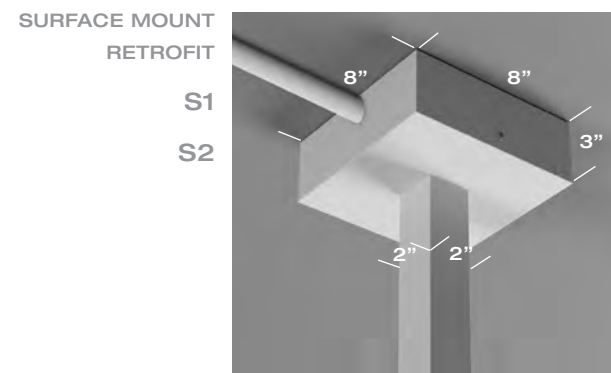
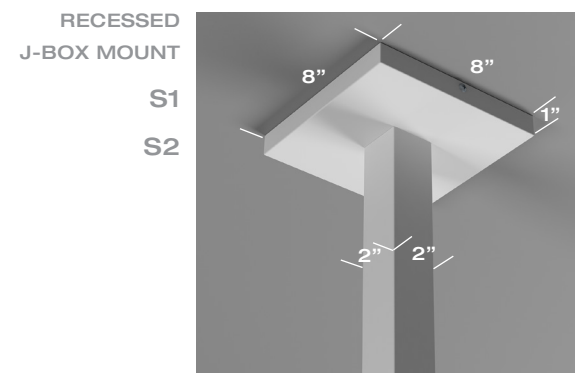
KEY FEATURES

INTEGRAL SENSOR

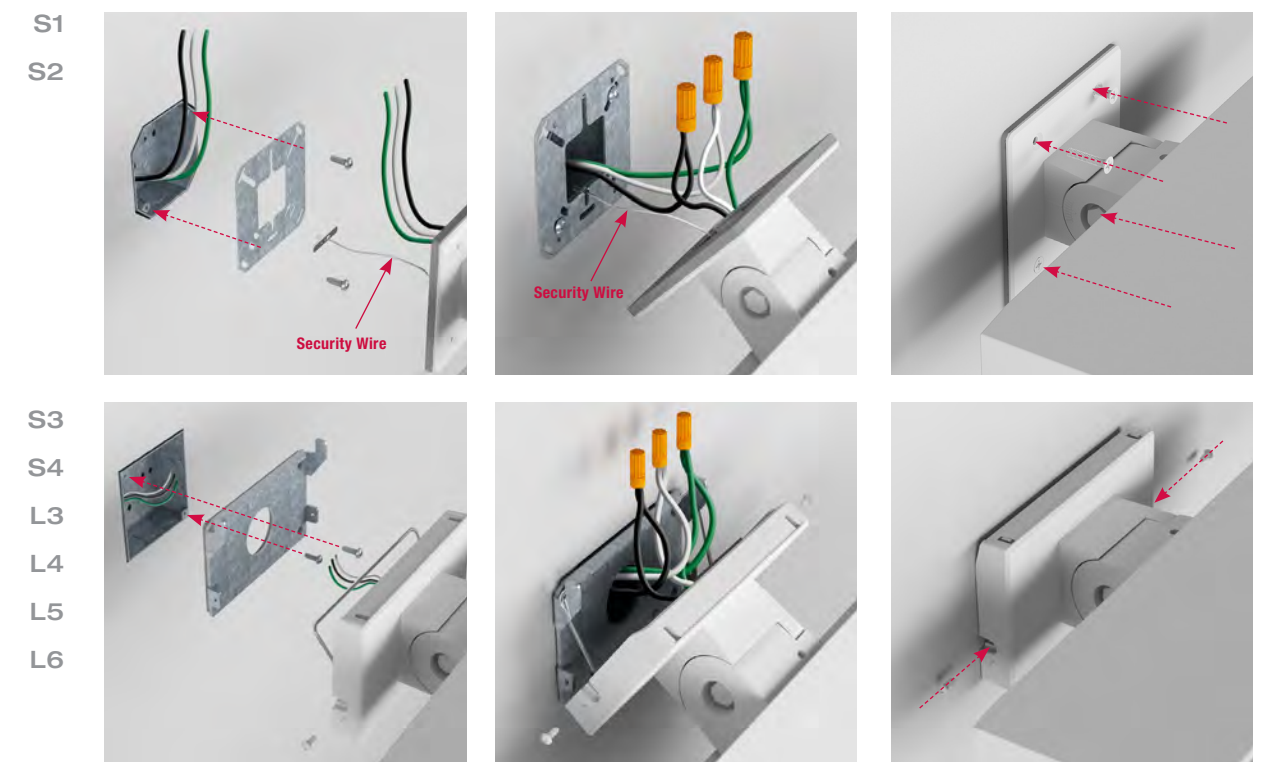
The mini sensor is a fully integrated sensor with no additional wiring or special installation required. Passive infrared occupancy detection is the technology used and the light sensor uses a closed-loop daylight harvester with day, twilight and night settings. Energy Saver setting dims to a lower light level when unoccupied. An infrared receiver is used for programming with a remote control. Indicator light is used for occupancy status and programming confirmation.



PENDANT MOUNTING (SP/DP)



INSTALLATION



Asyx 2.0
S2 Wall Mount



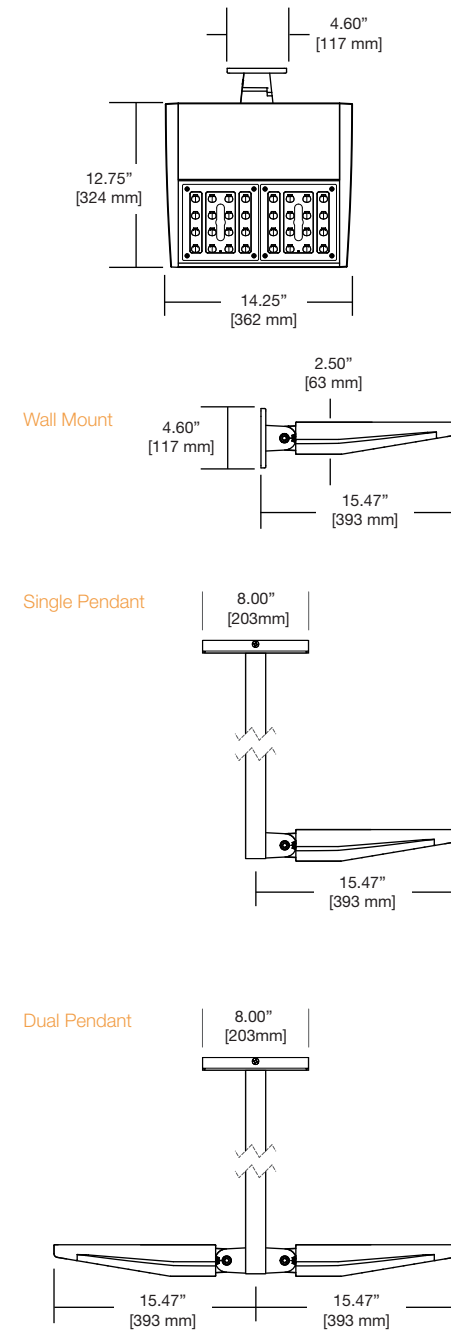
Asyx 2.0 - S2 Single Pendant - **SP**



Asyx 2.0 - S2 Dual Pendant - **DP**



Asyx 2.0 - S2 Wall Mount - **WM**



For the most up to date information, refer to specification sheets on www.cooperlighting.com

ASYX 2.0

S2 FIXTURE ORDERING

SERIES

ASYX Asymmetric Luminaire

MOUNTING

WM Wall Mount
SP Single Pendant
DP Dual Pendant

SIZE

S Small

LIGHT LEVEL

2 Two Light Squares (9612 LMS/ 107W)* * Based on 4000K and Wide throw distribution

ENVIRONMENT

ID Indoor
OD Outdoor
NT Natatorium

ORIENTATION

U Uplight
D Downlight

DISTRIBUTION

F Forward Throw
W Wide Throw

COLOR TEMPERATURE

27 LED 2700K **35** LED 3500K
30 LED 3000K **40** LED 4000K

NUMBER OF CIRCUITS

1 Single Circuit

VOLTAGE

UNV Universal 120V-277V

FINISH

W White **Z** Bronze
S Silver **C** Custom Color
B Black (RAL available)

SURFACE TYPE

R Mounting Plate (mounts to recessed junction box, by others)
C Surface Mount Box (mounts to surface junction box, by others)

DRIVER OPTIONS

STD Standard 0-10V
5LT DALI Dimming

INTEGRAL CONTROL

SV Mini Sensor - Integral Occupancy Sensor/ Daylight Sensor

OPTICAL ORIENTATION (OPTIONAL)

R90 Optics Rotated 90° right, from standard
L90 Optics Rotated 90° left, from standard
180 Optics Rotated 180° from standard

OPTIONS

RM Rigid Fixed Knuckle (replaces standard adjustable knuckle)

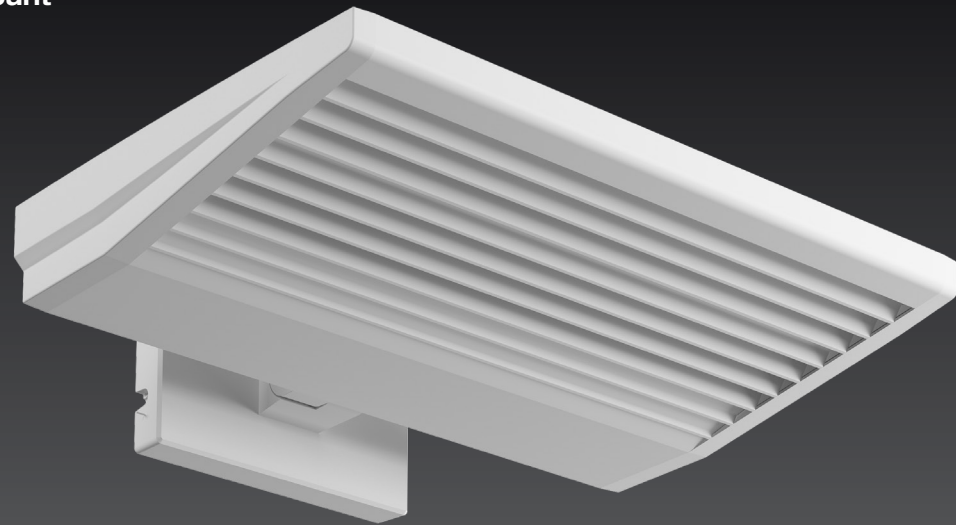
ACCESSORIES (OPTIONAL)

FSIR-100 Remote control for Mini Sensor
(order separately and per group of fixtures. Order only with SV option)

ORDERING EXAMPLE

ASYX-WM-S-2-OD-D-F-L40-1-UNV-W-R-STD-RM

**Asyx 2.0
S3 Wall Mount**



ASYX 2.0

S3 FIXTURE ORDERING

SERIES

ASYX Asymmetric Luminaire

MOUNTING

WM Wall Mount
SP Single Pendant
DP Dual Pendant

SIZE

S Small

LIGHT LEVEL

3 Three Light Squares (14745 LMS/ 158W)* * Based on 4000K and Wide throw distribution

ENVIRONMENT

ID Indoor
OD Outdoor
NT Natatorium

ORIENTATION

U Uplight
D Downlight

DISTRIBUTION

F Forward Throw
W Wide Throw

COLOR TEMPERATURE

27 LED 2700K	35 LED 3500K
30 LED 3000K	40 LED 4000K

NUMBER OF CIRCUITS

1 Single Circuit

VOLTAGE

UNV Universal 120V-277V

FINISH

W White	Z Bronze
S Silver	C Custom Color (RAL available)
B Black	

SURFACE TYPE

R Mounting Plate (mounts to recessed junction box, by others)
C Surface Mount Box (mounts to surface junction box, by others)

DRIVER OPTIONS

STD Standard 0-10V
5LT DALI Dimming

INTEGRAL CONTROL

SV Mini Sensor - Integral Occupancy Sensor/ Daylight Sensor

OPTICAL ORIENTATION (OPTIONAL)

R90 Optics Rotated 90° right, from standard
L90 Optics Rotated 90° left, from standard
180 Optics Rotated 180° from standard

OPTIONS

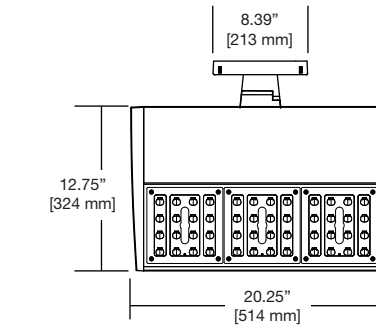
RM Rigid Fixed Knuckle (replaces standard adjustable knuckle)

ACCESSORIES (OPTIONAL)

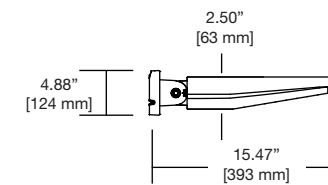
FSIR-100 Remote control for Mini Sensor
(order separately and per group of fixtures. Order only with SV option)

ORDERING EXAMPLE

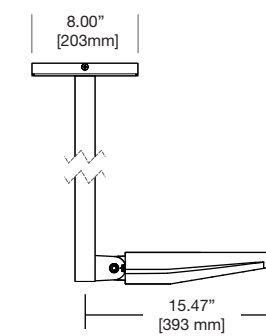
ASYX-WM-S-3-ID-U-W-L30-1-UNV-S-B-STD



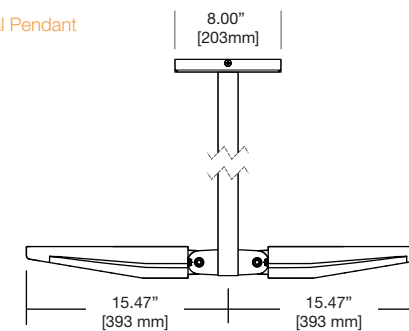
Wall Mount



Single Pendant



Dual Pendant



Asyx 2.0 - S3 Single Pendant - **SP**



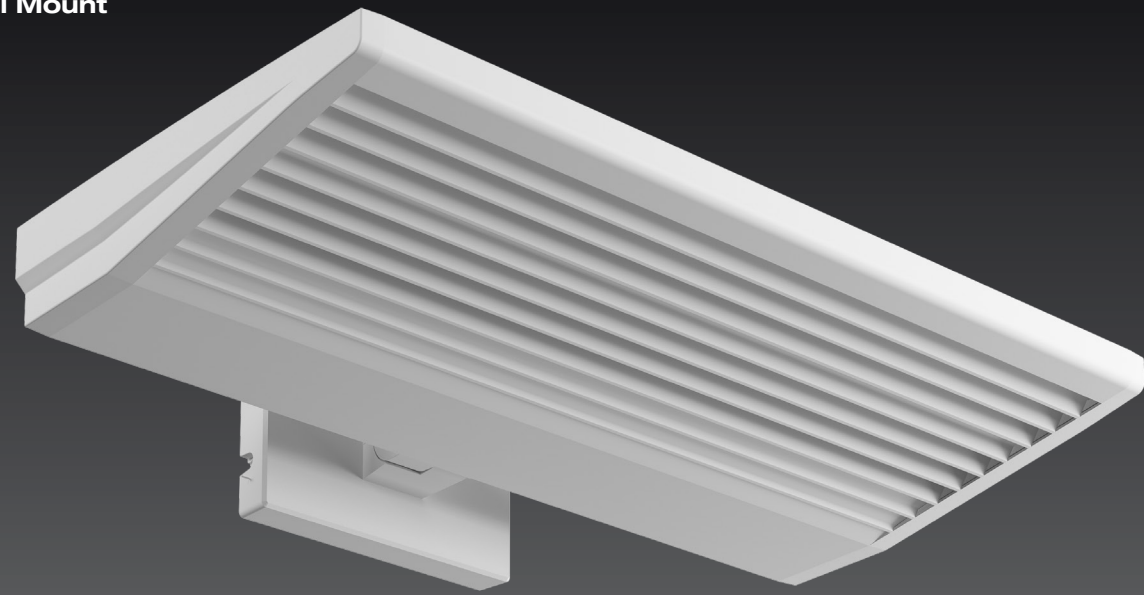
Asyx 2.0 - S3 Dual Pendant - **DP**



Asyx 2.0 - S3 Wall Mount - **WM**

For the most up to date information, refer to specification sheets on www.cooperlighting.com

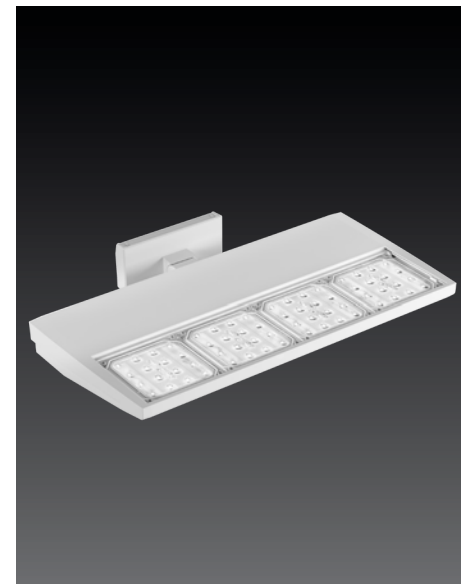
Asyx 2.0
S4 Wall Mount



Asyx 2.0 - S4 Single Pendant - **SP**



Asyx 2.0 - S4 Dual Pendant - **DP**



Asyx 2.0 - S4 Wall Mount - **WM**

ASYX 2.0

S4 FIXTURE ORDERING

SERIES

ASYX Asymmetric Luminaire

MOUNTING

WM Wall Mount
SP Single Pendant
DP Dual Pendant

SIZE

S Small

LIGHT LEVEL

4 Four Light Squares (19761 LMS/ 214W)* * Based on 4000K and Wide throw distribution

ENVIRONMENT

ID Indoor
OD Outdoor
NT Natatorium

ORIENTATION

U Uplight
D Downlight

DISTRIBUTION

F Forward Throw
W Wide Throw

COLOR TEMPERATURE

27	LED 2700K	35	LED 3500K
30	LED 3000K	40	LED 4000K

NUMBER OF CIRCUITS

1 Single Circuit
2 Dual Circuit

VOLTAGE

UNV Universal 120V-277V

FINISH

W White	Z Bronze
S Silver	C Custom Color (RAL available)
B Black	

SURFACE TYPE

R Mounting Plate (mounts to recessed junction box, by others)
C Surface Mount Box (mounts to surface junction box, by others)

DRIVER OPTIONS

STD Standard 0-10V
5LT DALI Dimming

INTEGRAL CONTROL

SV Mini Sensor - Integral Occupancy Sensor/ Daylight Sensor

OPTICAL ORIENTATION (OPTIONAL)

R90 Optics Rotated 90° right, from standard
L90 Optics Rotated 90° left, from standard
180 Optics Rotated 180° from standard

OPTIONS

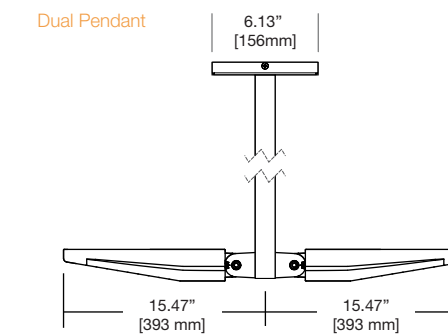
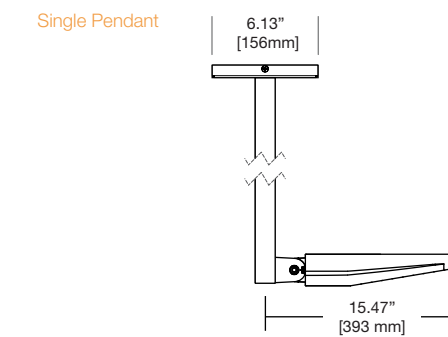
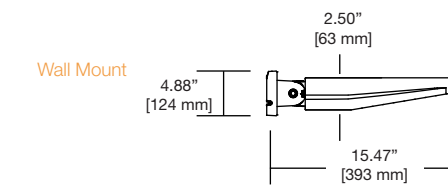
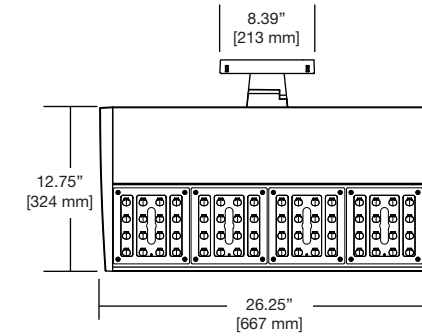
RM Rigid Fixed Knuckle (replaces standard adjustable knuckle)

ACCESSORIES (OPTIONAL)

FSIR-100 Remote control for Mini Sensor
(order separately and per group of fixtures. Order only with SV option)

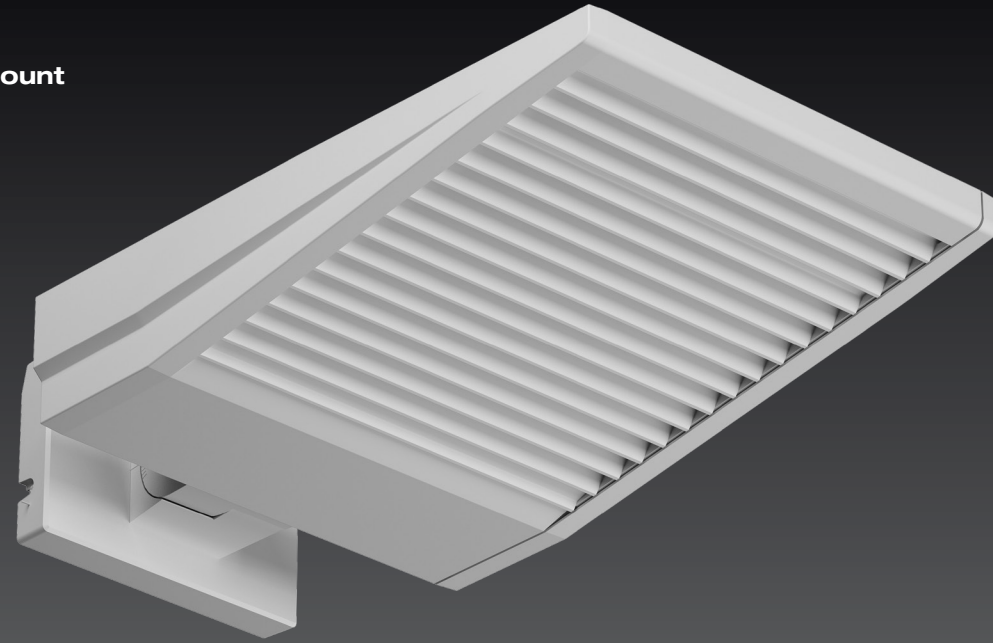
ORDERING EXAMPLE

ASYX-WM-S-4-ID-U-F-L35-1-UNV-S-Z-STD-SV-180



For the most up to date information, refer to specification sheets on www.cooperlighting.com

Asyx 2.0
L3 / L4 Wall Mount



ASYX 2.0

L3/L4 FIXTURE ORDERING

SERIES

ASYX Asymmetric Luminaire

MOUNTING

WM Wall Mount
SP Single Pendant
DP Dual Pendant

SIZE

L Large

LIGHT LEVEL

3 Three Light Squares (15304 LMS/ 158W)*
4 Four Light Squares (19929 LMS/ 214W)*

* Based on 4000K and Wide throw distribution

ENVIRONMENT

ID Indoor
OD Outdoor
NT Natatorium

ORIENTATION

U Uplight
D Downlight

DISTRIBUTION

F Forward Throw
W Wide Throw

COLOR TEMPERATURE

27 LED 2700K **35** LED 3500K
30 LED 3000K **40** LED 4000K

NUMBER OF CIRCUITS

1 Single Circuit
2 Dual Circuit (L4 only)

VOLTAGE

UNV Universal 120V-277V

FINISH

W White **Z** Bronze
S Silver **C** Custom Color
B Black (RAL available)

SURFACE TYPE

R Mounting Plate (mounts to recessed junction box, by others)
C Surface Mount Box (mounts to surface junction box, by others)

DRIVER OPTIONS

STD Standard 0-10V
5LT DALI Dimming

INTEGRAL CONTROL

SV Mini Sensor - Integral Occupancy Sensor/ Daylight Sensor

OPTICAL ORIENTATION (OPTIONAL)

R90 Optics Rotated 90° right, from standard
L90 Optics Rotated 90° left, from standard
180 Optics Rotated 180° from standard

OPTIONS

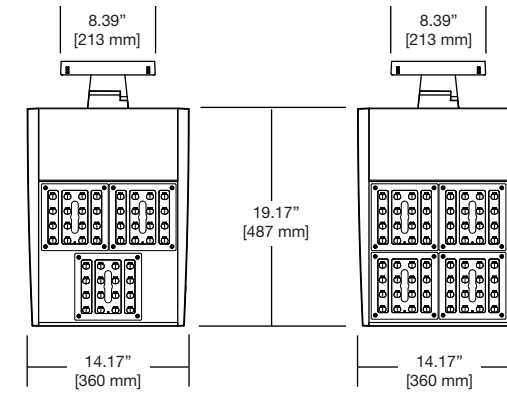
RM Rigid Fixed Knuckle (replaces standard adjustable knuckle)

ACCESSORIES (OPTIONAL)

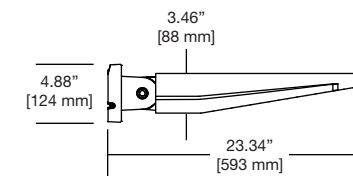
FSIR-100 Remote control for Mini Sensor
(order separately and per group of fixtures. Order only with SV option)

ORDERING EXAMPLE

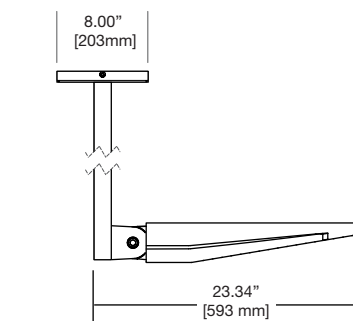
ASYX-SP-L-4-ID-U-F-L40-2-UNV-S-R-STD-R90



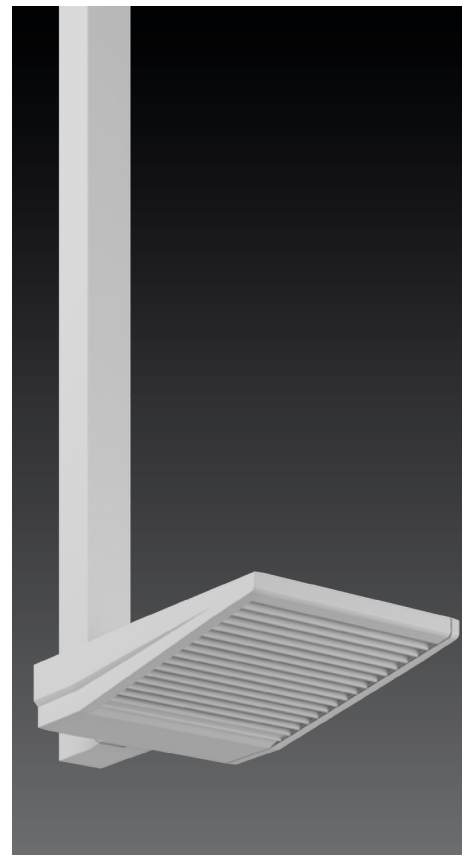
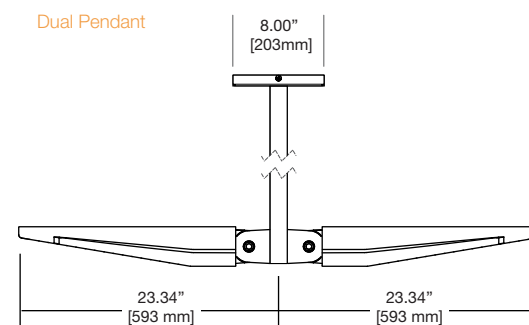
Wall Mount



Single Pendant



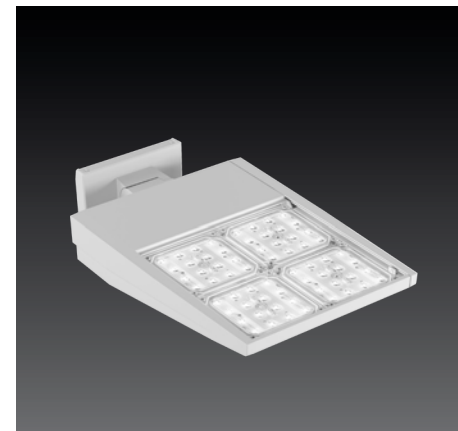
Dual Pendant



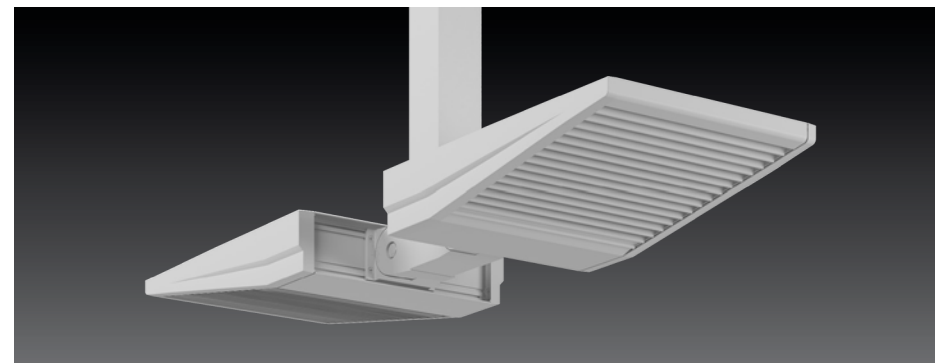
Asyx 2.0 - L3 / L4 Single Pendant - **SP**



Asyx 2.0 - L3 Wall Mount - **WM**



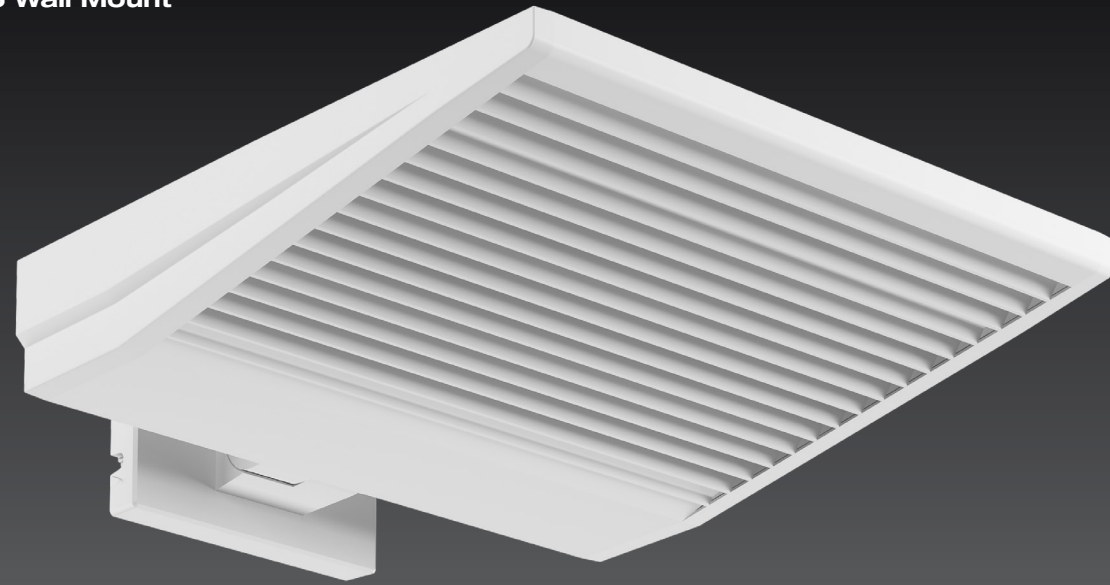
Asyx 2.0 - L4 Wall Mount - **WM**



Asyx 2.0 - L3 / L4 Dual Pendant - **DP**

For the most up to date information, refer to specification sheets on www.cooperlighting.com

Asyx 2.0
L5 / L6 Wall Mount



ASYX 2.0

L5/L6 FIXTURE ORDERING

SERIES

ASYX Asymmetric Luminaire

MOUNTING

WM Wall Mount
SP Single Pendant
DP Dual Pendant

SIZE

L Large

LIGHT LEVEL

5 Five Light Squares (25565 LMS/ 268W)*
6 Six Light Squares (30162 LMS/ 319W)*

* Based on 4000K and Wide throw distribution

ENVIRONMENT

ID Indoor
OD Outdoor
NT Natatorium

ORIENTATION

U Uplight
D Downlight

DISTRIBUTION

F Forward Throw
W Wide Throw

COLOR TEMPERATURE

27 LED 2700K **35** LED 3500K
30 LED 3000K **40** LED 4000K

NUMBER OF CIRCUITS

1 Single Circuit
2 Dual Circuit

VOLTAGE

UNV Universal 120V-277V

FINISH

W White **Z** Bronze
S Silver **C** Custom Color
B Black (RAL available)

SURFACE TYPE

R Mounting Plate (mounts to recessed junction box, by others)
C Surface Mount Box (mounts to surface junction box, by others)

DRIVER OPTIONS

STD Standard 0-10V
5LT DALI Dimming

INTEGRAL CONTROL

SV Mini Sensor - Integral Occupancy Sensor/ Daylight Sensor

OPTICAL ORIENTATION (OPTIONAL)

R90 Optics Rotated 90° right, from standard
L90 Optics Rotated 90° left, from standard
180 Optics Rotated 180° from standard

OPTIONS

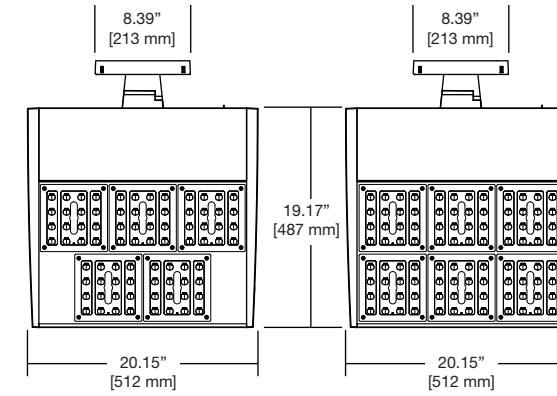
RM Rigid Fixed Knuckle (replaces standard adjustable knuckle)

ACCESSORIES (OPTIONAL)

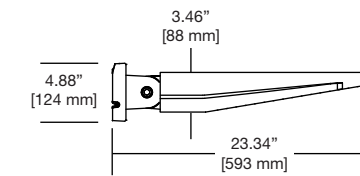
FSIR-100 Remote control for Mini Sensor
(order separately and per group of fixtures. Order only with SV option)

ORDERING EXAMPLE

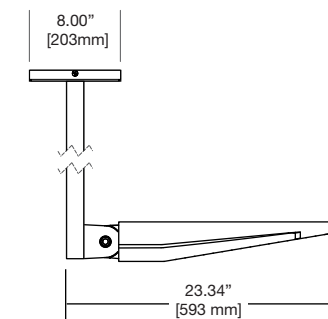
ASYX-SP-L-6-ID-U-W-L40-2-UNV-W-R-STD-L90



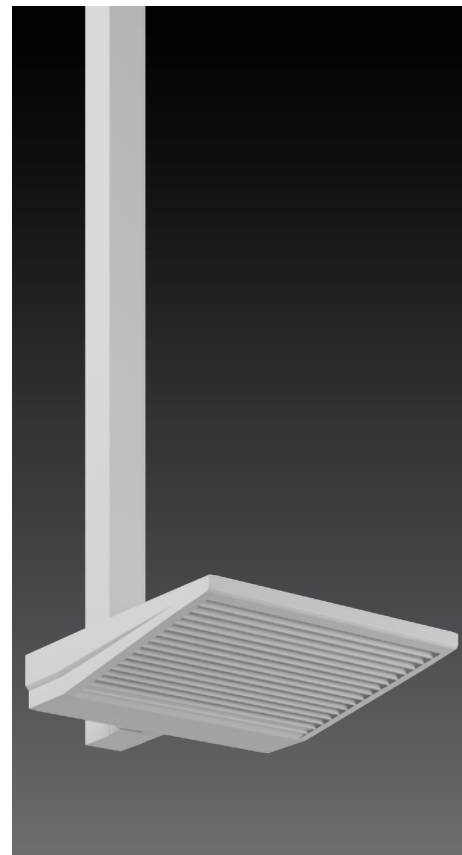
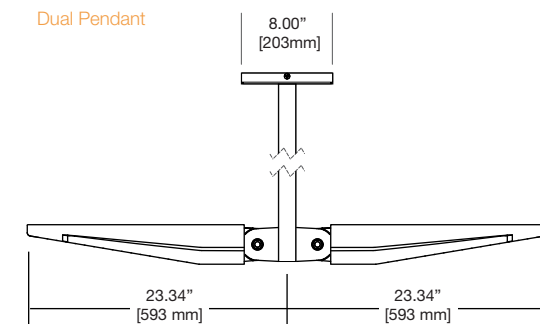
Wall Mount



Single Pendant



Dual Pendant



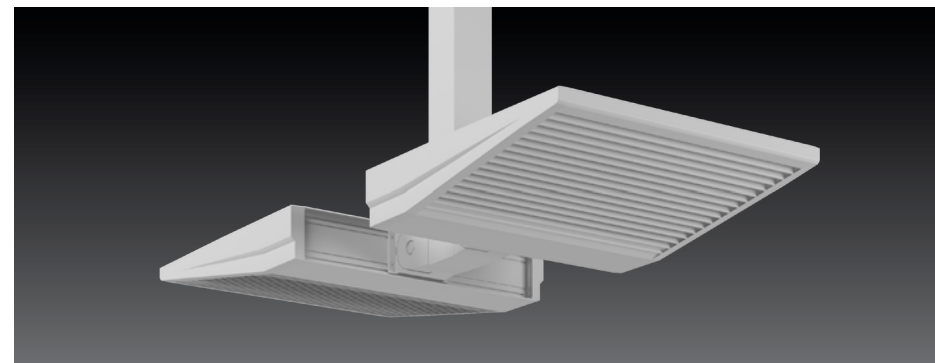
Asyx 2.0 - L5 / L6 Single Pendant - **SP**



Asyx 2.0 - L5 Wall Mount - **WM**



Asyx 2.0 - L6 Wall Mount - **WM**



Asyx 2.0 - L5 / L6 Dual Pendant - **DP**

For the most up to date information, refer to specification sheets on www.cooperlighting.com

Our Lighting Product Brands

Halo
Halo Commercial
Portfolio
IRIS
RSA
Metalux
Corelite
Ametrix
Fail-Safe
MWS
Ametrix
Shaper
io
Lumark
McGraw-Edison
Invue
Lumière
Streetworks
AtLite
Sure-Lites

Our Controls Product Brands

Greengate
iLumin
Zero 88
Fifth Light Technology
iLight (International Only)



Cooper Lighting Solutions
1121 Highway 74 South
Peachtree City, GA 30269
P: 770-486-4800
www.cooperlighting.com

Canada Sales
5925 McLaughlin Road
Mississauga, Ontario L5R 1B8
P: 905-501-3000
F: 905-501-3172

© 2020 Cooper Lighting Solutions
All Rights Reserved
Printed in USA
Publication No. BR525020EN
January 2021