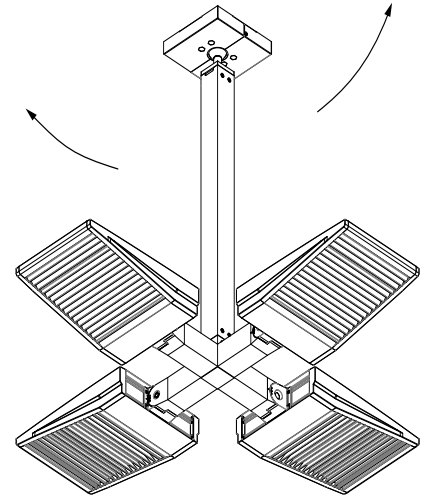


ASYX 2.0 Quad Pendant Swivel Mount Installation Instructions



IMPORTANT: Read carefully before installing fixture. Retain for future reference.

⚠ WARNING

Risk of Electric Shock. Disconnect power at fuse or circuit breaker before installing or servicing.

⚠ WARNING

Risk of Fire/Electric Shock. If not qualified, consult an electrician.

⚠ WARNING

Disconnect all power before proceeding with installation.

⚠ WARNING

Proper grounding is required to ensure personal safety.

⚠ WARNING

Risk of burn. Use protective gear to ensure to ensure personal safety.

Note: This product must be installed in accordance with the applicable installation code by a certified electrician, familiar with the construction and operation of the product and hazards involved.

Note: Wet locations listed.

Note: Fixture in compliance with UL 1598 and UL

Note: To prevent wiring damage or abrasion, do not expose wiring to edges of sheet metal or any sharp objects.

Note: MAX ambient temperature 40°C for all fixture except L6 which is rated to 30°C ambient.

Note: All electrical wire from junction box to fixture head to be provided by others and follow local codes.

Note: Ensure mounting surface can support fixture head(s) and entire pendant assembly.

Note: Before installation, please check the weight of ASYX fixtures to ensure loading capacity of the building mount base (provided by others) to be suitable for the weight of the entire fixture including pendant mount means. Installation shall comply with local codes. Ensure mounting surface can support fixture head(s) and entire pendant assembly. Max weight of Quad Pendant 250lbs.

Note: Ensure all screws are torqued to proper settings.

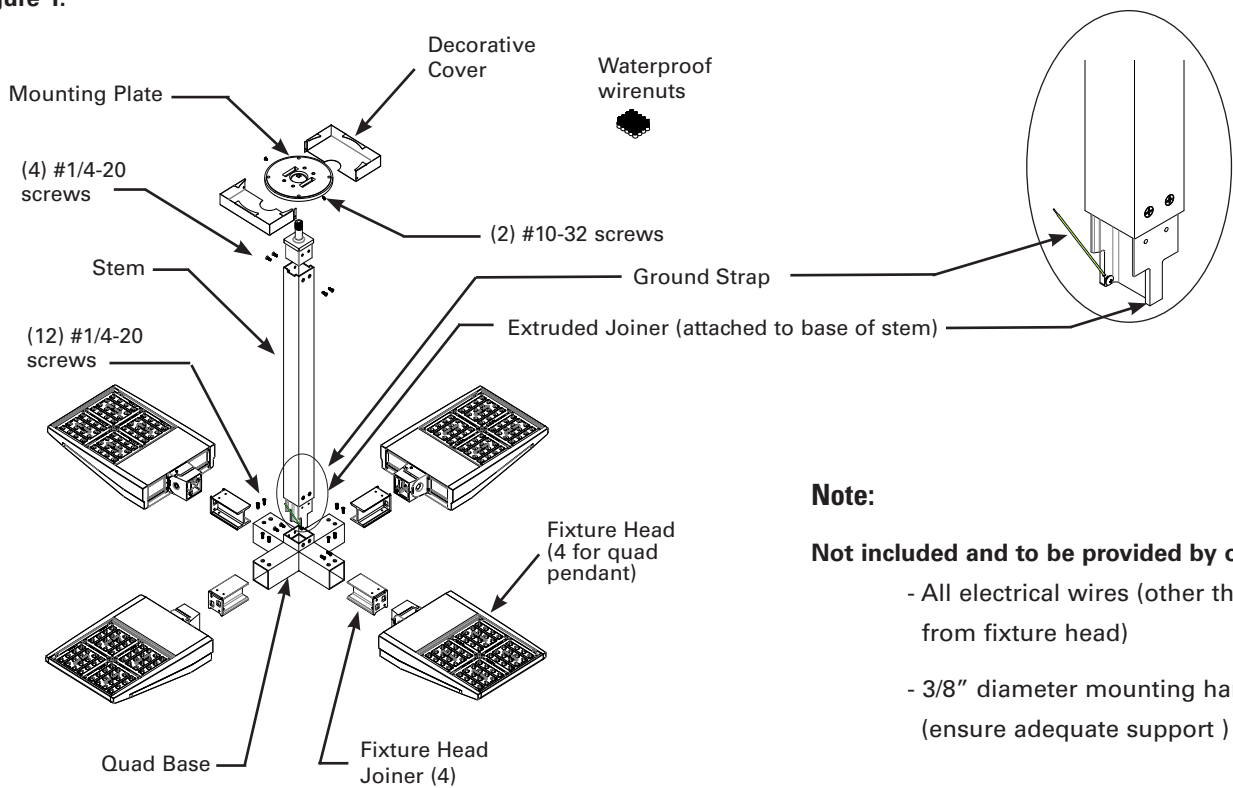
Note: Ensure mounting hardware is minimum of 3/8" grade 2 hardware (stainless is required if in corrosive environment) with minimum proof load of 3000 lb.

Description: The ASYX 2.0 second generation of asymmetric lighting is designed for general ambient illumination and accenting architectural features. The luminaire allows for both forward and wide distributions as well four different color temperatures to accommodate any space. IP66 rated. **Construction:** Heavy-wall die cast aluminum end caps with extruded aluminum housing. Housing fins allow for air flow and thermal management. Fixture housing is coated using electrostatically charged polyester powder coat paint for superior protection against fade and wear.

INSTALLATION

1. Unpack ASYX 2.0 pendant fixture and ensure that all included parts are present. (Figure 1.)

Figure 1.



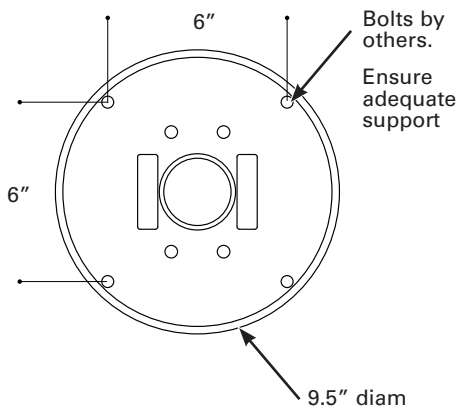
Note:

Not included and to be provided by others:

- All electrical wires (other than from fixture head)
- 3/8" diameter mounting hardware (ensure adequate support)

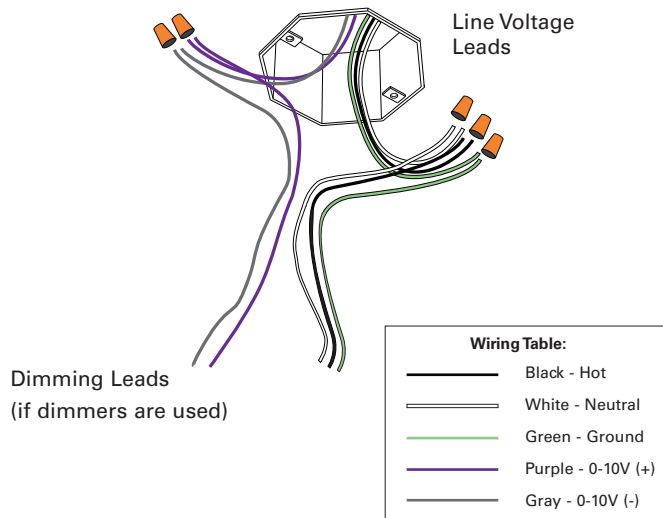
2. Mounting Plate. Provide adequate backing and support for fixture head(s) and entire pendant assembly. See (Figure 2.) for mounting hole locations.

Figure 2.



3. Measure stem length. Supply electrical wires, that equal the stem length plus additional 1-2 ft as needed. Locate ceiling junction box and connect line voltage power leads to the measured out electrical wires as shown and connect dimming wires if applicable. Cap dimming wires if not used. Connect wires with provided waterproof wire nuts. Tuck all wires and waterproof wire nuts into junction box (after Step 4.b) (Figure 3.)

Figure 3.



- Unpack Sloped Canopy and mounting plate assembly (Figure 4.a). Unscrew screws and separate decorative cover. Save decorative cover and screws. (Figure 4.b). Attach decorative cover after Step 13 with (2)#10-32 screws as provided.

Figure 4.a

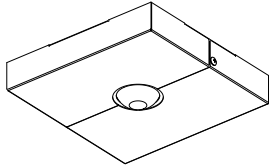
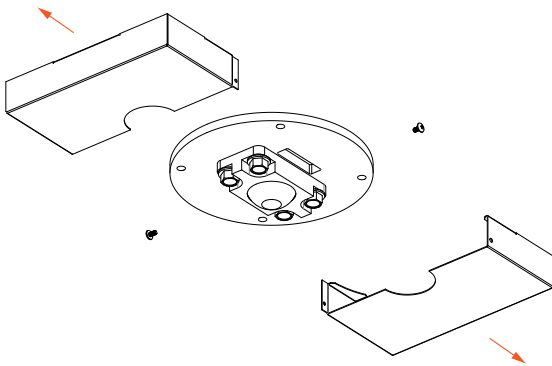
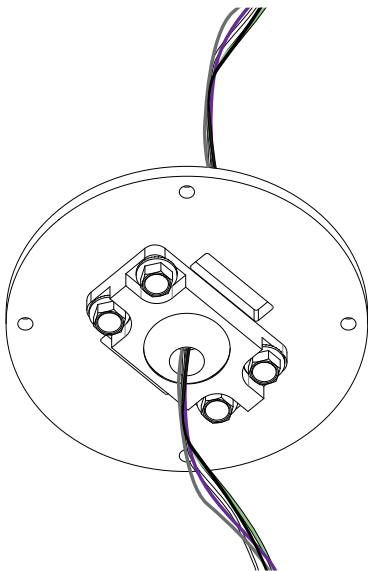


Figure 4.b



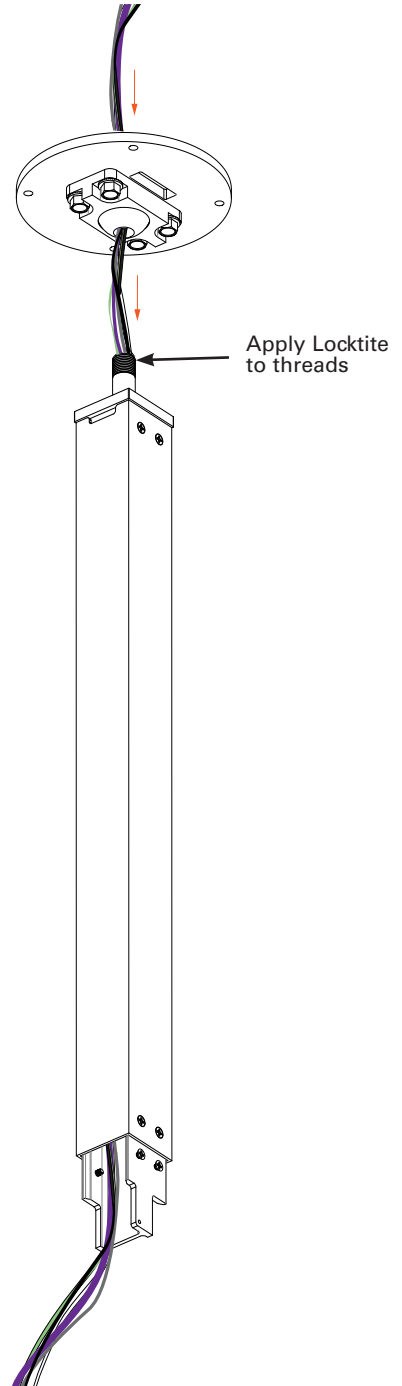
- Feed all connected line voltage wires through center hole of mounting plate. Attach mounting plate to surface with recommended bolts (as noted on page 1) and ensure adequate support of surface. Figure 5.

Figure 5.



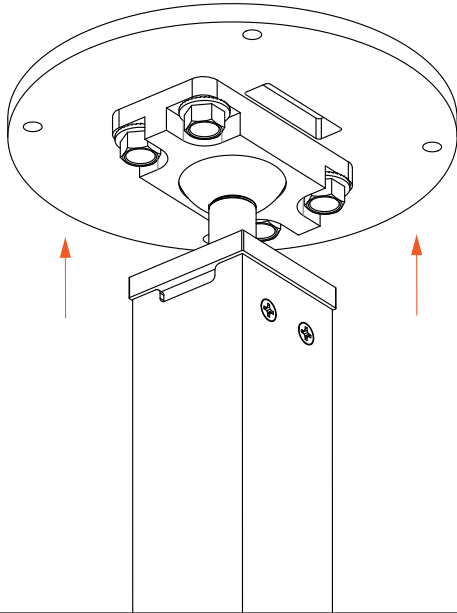
- Continue to feed all wires, including ground, through the stem (Figure 6). Tighten down 1/2"-13x1 bolts to secure movement of ball. Apply Loctite 263 (included) onto threaded rod and twist into aluminum ball assembly until fully secure.

Figure 6.



7. As needed loosen (4) 1/2" - 13x1 bolts slightly to allow ball freedom of movement . Ensure the pendant is hanging vertical and rotated properly for final position. Tighten (4) 1/2" - 13x1 bolts to min of 30 ft-lbs torque. (Figure 7.)

Figure 7.



8. Unpack Quad Base (Figure 8.a) and remove Quad joiners from each quadrant. Save all hardware and screws. (Figure 8.b). See Step 9 for further details.

Figure 8.a

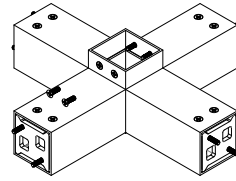
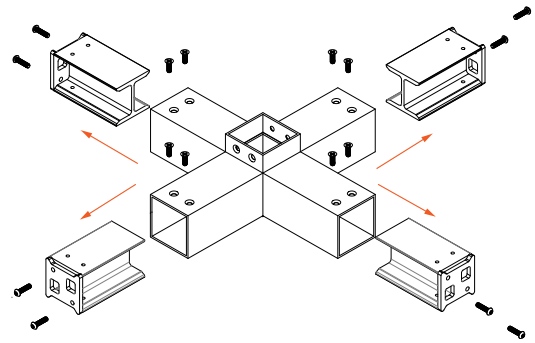
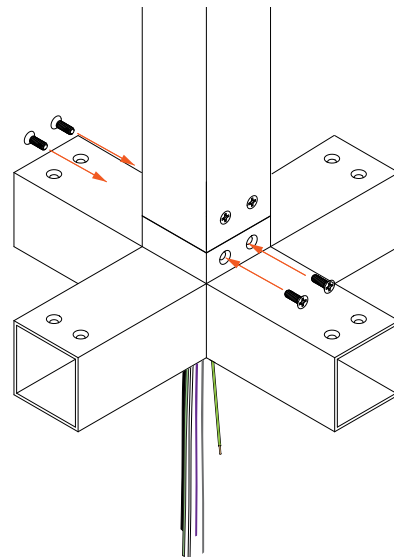


Figure 8.b



9. Attach and secure pendant stem to Quad Base with (4) #1/4-20. Attach and secure. Ensure all pendant screws are tightened to 4ft-lbs. Position all wires exiting bottom of stem as shown in Figure 9. (Figure 9.)

Figure 9.



10. Base of pendant: Pull wires then attach Fixture Head Joiner, attach each Fixture Head Joiner to each fixture head with (2) #1/4-20 screws. (Figure 10.a). Pull electrical wires through each Fixture Head Joiner. (Figure 10.b)

Figure 10.a

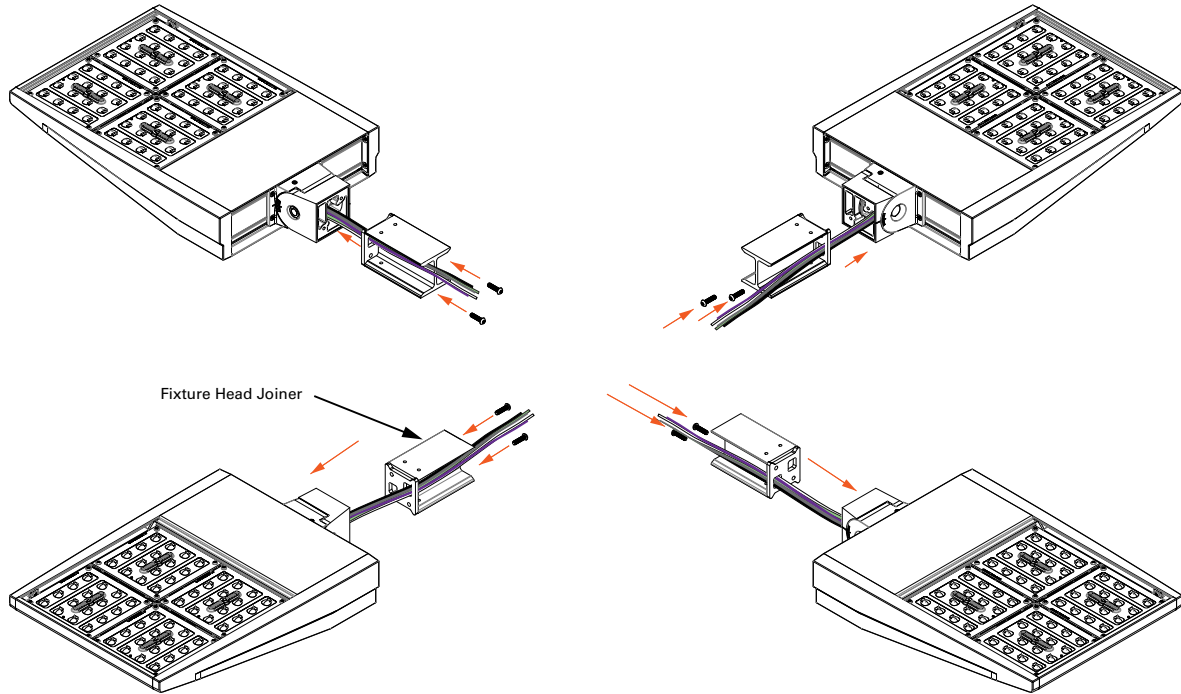
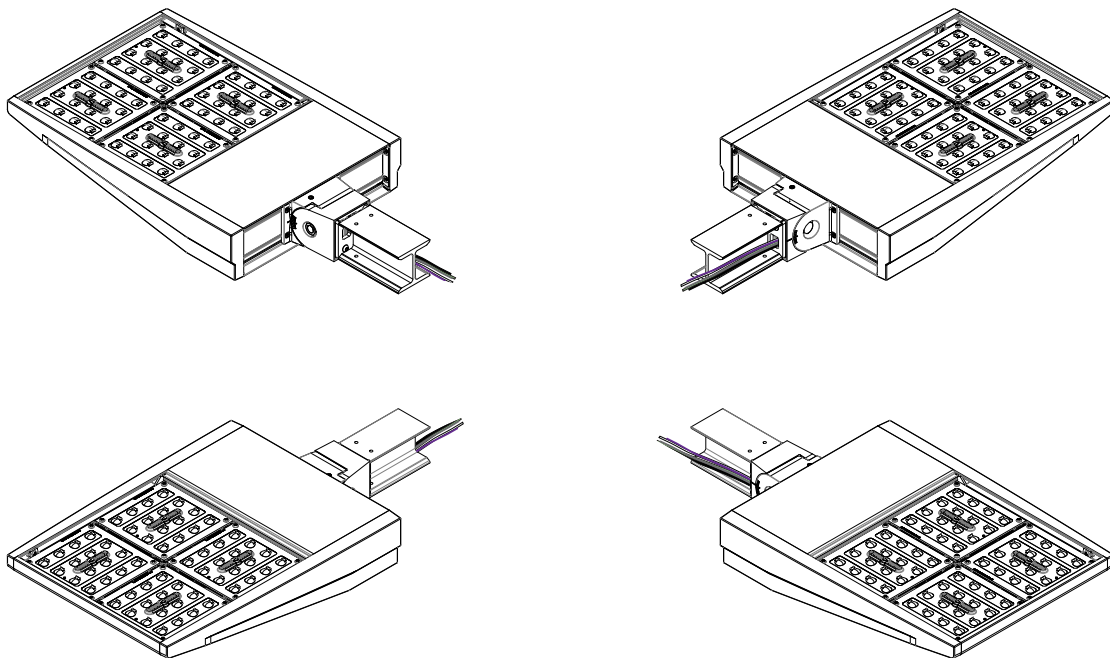
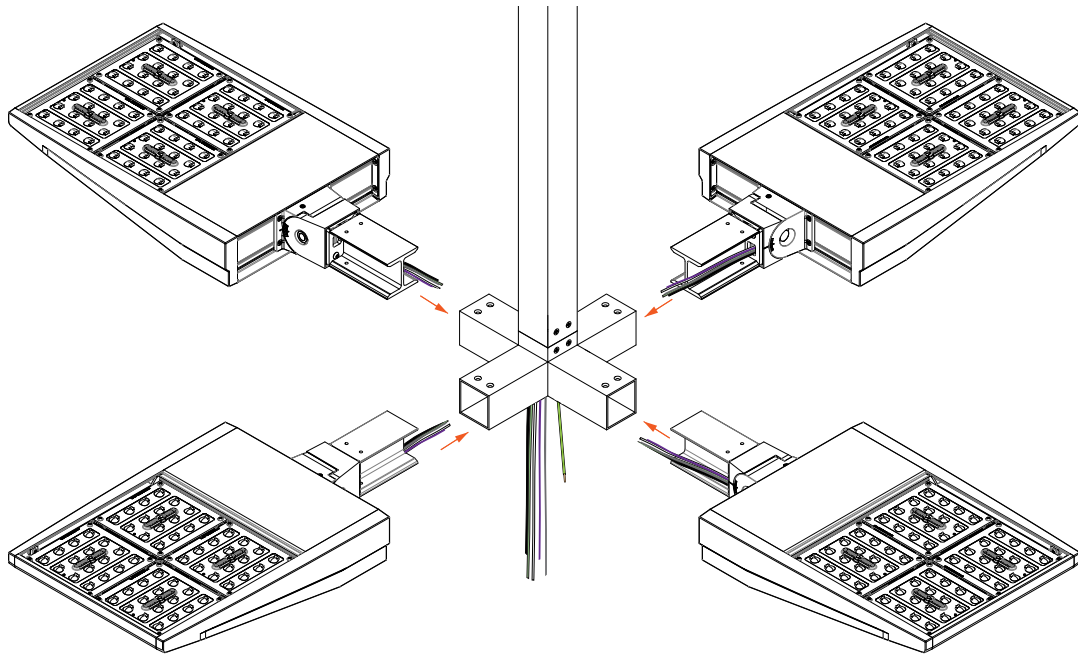


Figure 10.b








- Take each Fixture Head with Extruded Head Joiner and attach to Quad Base. Pull all electrical wires down through Quad Base bottom. (Figure 11.)

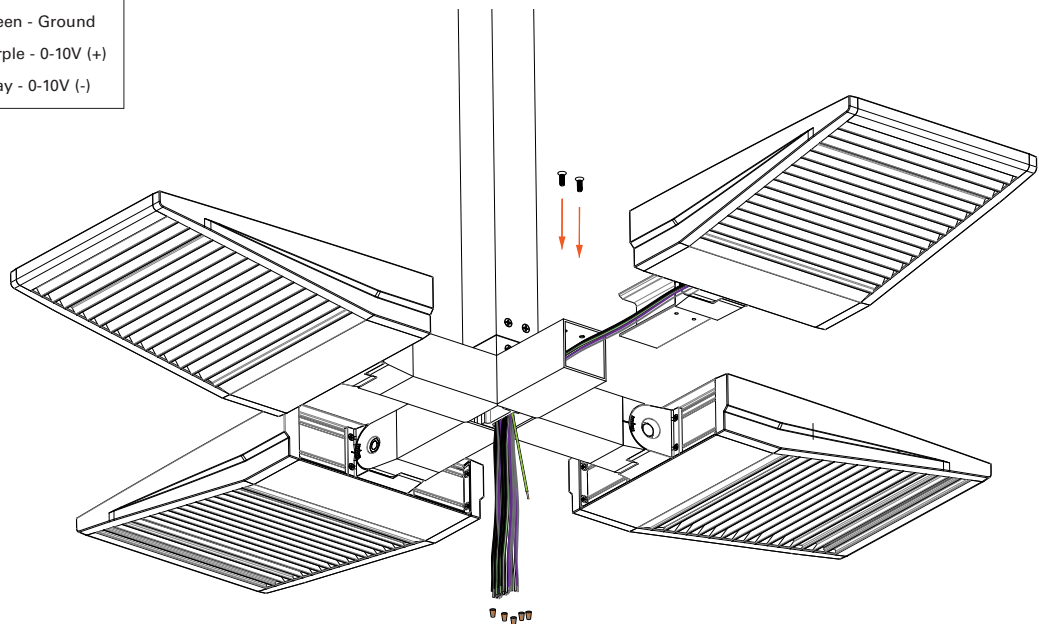
Figure 11.



- Use (2) #1/4-20 screws to attach each Fixture Head to Quad Base. (Figure 12). Connect all like colored electrical wires together with silicone wire nuts. Example, wire all black wires together. For the ground wire, connect all green wires (from pendant stem and heads) to ground wire attached to Extruded Joiner. (Figure 12.)

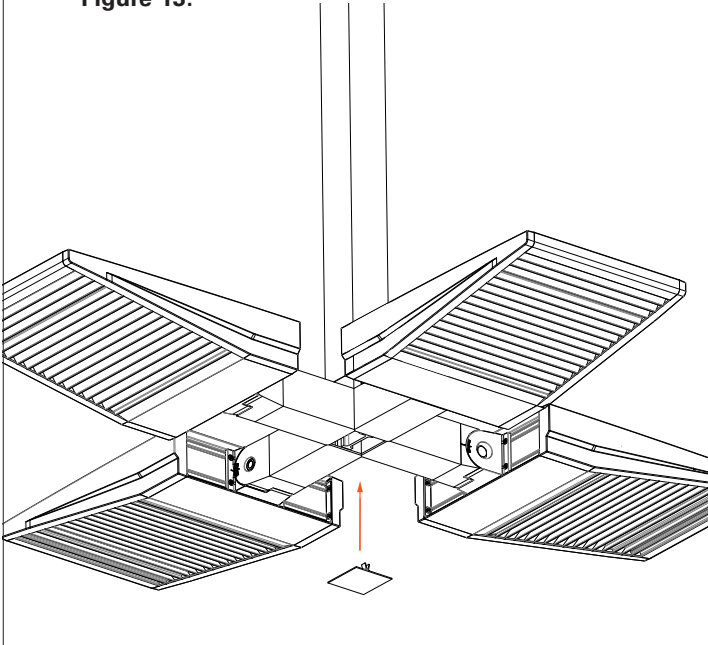
Figure 12.

Wiring Table:	
	Black - Hot
	White - Neutral
	Green - Ground
	Purple - 0-10V (+)
	Gray - 0-10V (-)



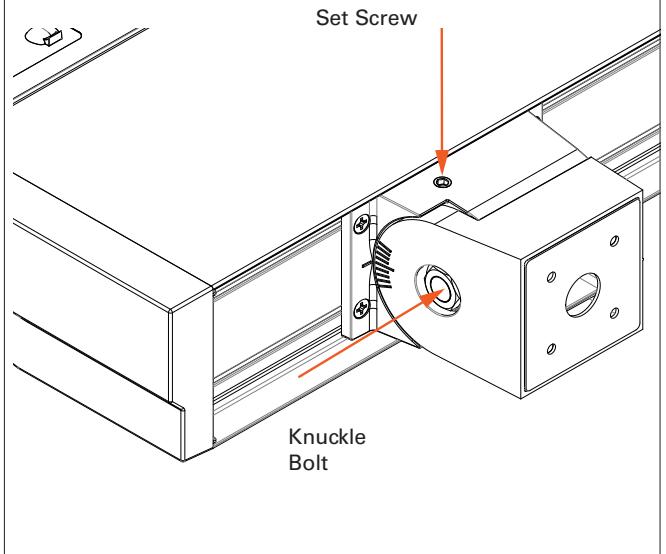
13. Tuck all electrical wires up into stem bottom. Snap on bottom cover to bottom of pendant stem. (Figure 14).

Figure 13.



14. To level and adjust angle of fixture head, loosen knuckle bolt with socket wrench, and use an allen wrench to adjust aiming by turning set screw on top of fixture to desired angle. Tighten knuckle bolt to a minimum of 20 ft-lbs. (Figure 15).

Figure 14.



Warranties and Limitation of Liability

Please refer to www.cooperlighting.com for our terms and conditions.

Garanties et limitation de responsabilité

Veuillez consulter le site www.cooperlighting.com pour obtenir les conditions générales.

Garantías y Limitación de Responsabilidad

Visite www.cooperlighting.com para conocer nuestros términos y condiciones.

Cooper Lighting Solutions
18001 E. Colfax Avenue
Aurora, CO 80011
P: 303-393-1522
www.cooperlighting.com

© 2020 Cooper Lighting Solutions
All Rights Reserved
Printed in USA
Imprimé aux États-Unis
Impreso en los EE. UU.
Publication No. TD518000EN
07/13/2017

Cooper Lighting Solutions is a registered trademark. All trademarks are property of their respective owners.

Cooper Lighting Solutions est une marque de commerce déposée. Toutes les autres marques de commerce sont la propriété de leur propriétaire respectif.

Cooper Lighting Solutions es una marca comercial registrada. Todas las marcas comerciales son propiedad de sus respectivos propietarios.

Product availability, specifications, and compliances are subject to change without notice

La disponibilité du produit, les spécifications et les conformités peuvent être modifiées sans préavis

La disponibilidad de productos, las especificaciones y los cumplimientos están sujetos a cambio sin previo aviso