

DESCRIPTION

The Arrowlinear fixture is a linear asymmetric system of lighting designed for wall washing and signage type applications. The fixture has three CCT options, multiple lengths and configurations, extruded aluminum housings, die cast end caps and mounting arms, and diffuse acrylic lens. It is a simple and effective linear asymmetric lighting solution. Versatile mounting hardware enables fixture to be mounted in multiple orientations to accommodate a wide variety of installations including base mount, ceiling mount, wall mount, ceiling mount, wall mount and cantilever mount.

SPECIFICATION FEATURES

Construction

Housing is corrosion-resistant. Aluminum extrusion with die-cast aluminum end caps. End caps are secured by concealed stainless steel fasteners. Housing, end caps, and lens are sealed with single, closed cell silicone gaskets. Stainless steel hardware is standard. Reflector is constructed from 22 gauge cold rolled steel and pre-painted reflective white. A slightly diffused acrylic lens is standard, constructed of impact-resistant, U.V. stabilized virgin acrylic to prevent discoloration.

Electrical

LED fixtures use >0.9 power factor

UL 1310 Class 2 AC to DC driver with built-in dimming as standard. Integral LED light engines are easily replaceable in the field. Offered in 80+ CRI for 3000K, 3500K, 4000K CCT.

Mounting

Fixtures can be installed as base mount, ceiling mount, wall mount and cantilever mount. Fixture includes Slide-N-Mount™ adjustable, lockable, mounting arms constructed from Type 383 die-cast aluminum. Support structure by others.

Finish

Fixture housing is powder coated for superior protection against fade

and wear.

Aiming

Fixture includes the PointGrab2™ lockable aiming system, providing minimum 180 degree vertical adjustment of the fixture housing in 5 degree increments. The aiming feature locks securely in place by means of a stainless steel locking mechanism.

Compliance

UL / cUL listed for use in damp locations.

Warranty

Standard 5 year limited warranty on all parts.



ARROWLINEAR

LED

BASE MOUNT

CEILING MOUNT

WALL MOUNT

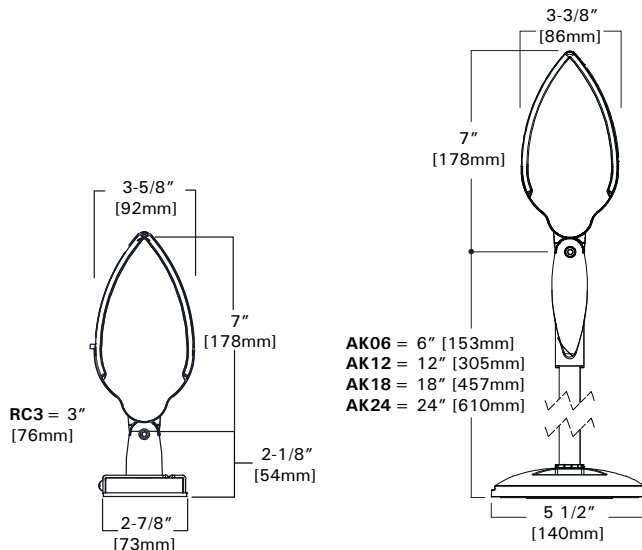
CANTILEVER MOUNT

Asymmetric Indirect

Individual Linear
Continuous Linear

CERTIFICATION DATA
UL/cUL Damp Location Listing
LM79 Compliant

ENERGY DATA
>0.9 Power Factor
120V – 277V 50/60 Hz
25°C Ambient Temperature



ORDERING INFORMATION

SAMPLE NUMBER: A04-SI-A-1-LED-30K-D-120-W-AK06-LMC

Series ^{1,2,3,4,5,6,7}	Size	Lens	Light Level	Lamp	Color Temperature
A02 = Arrowlinear 2' Unit A04 = Arrowlinear 4' Unit A06 = Arrowlinear 6' Unit A08 = Arrowlinear 8' Unit A12 = Arrowlinear 12' Unit AC__ = Arrowlinear Continuous Row (Specify in feet)	Indoor SI = Extra Small - Indoor	A = Acrylic	1 = See Energy & Performance Data Chart on page 2	LED = LED	30K = 3000K 35K = 3500K 40K = 4000K

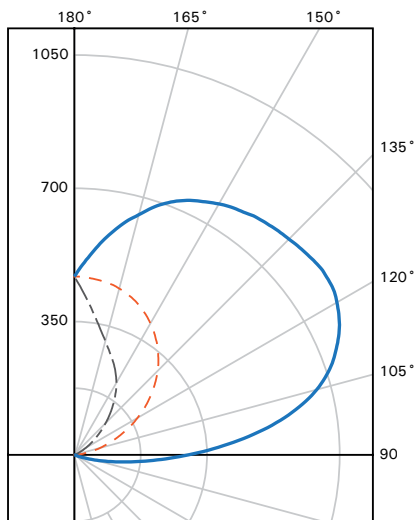
Wiring ⁸	Voltage	Finish	Mounting ^{1,9}	Options ¹⁰
D = Dimming	120 = 120V 277 = 277V UNV = Universal	B = Black Z = Bronze S = Silver W = White C = Custom	RC3 = Rectangular Canopy, 3" Arm / Integral (Not offered on the Cantilever mount) ⁹ AK06 = 6" Adjustable Knuckle / Integral AK12 = 12" Adjustable Knuckle / Integral AK18 = 18" Adjustable Knuckle / Integral AK24 = 24" Adjustable Knuckle / Integral	LMC = Large AK Mounting Canopies (to match non-power feed canopy to power feed canopy. See page 2 for details.)

See page 4 for Technical Notes.

Cooper Lighting Solutions
1121 Highway 74 South
Peachtree City, GA 30269
P: 770-486-4800
www.cooperlighting.com

Specifications and dimensions subject to change without notice.
See additional information on the following pages.

PHOTOMETRICS



FILE NAME: A02-SI-A-2-LED-35K-1C-120-S-AK6-24

LAMP: 3500K

LUMENS: 1990

INPUT WATTS: 20.5 W

EFFICACY: 97.1 LPW

TEST REPORT: ITL87330-GONIOPHOTOMETRY

ZONAL LUMEN SUMMARY

Zone	Lumens	% Fixture
0- 30	0	0
0- 40	0	0
0- 60	0	0
0- 90	62	3.1
90-120	639	32.1
90-130	952	47.8
90-150	1537	77.2
90-180	1928	96.9
0-180	1990	100

Information based on 2 ft. section

LEGEND:
 0-deg ————
 90-deg - - - -
 180-deg - - - -

ENERGY & PERFORMANCE DATA

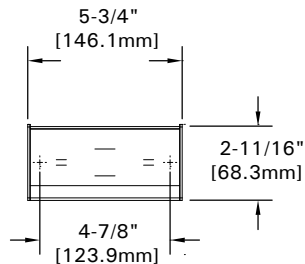
Individual Length	Lumens	Wattage	Length
2ft	1990	20.5	27-3/8" (695mm)
4ft	3980	40.5	51" (1295mm)
6ft	5970	60.6	77-7/16" (1967mm)
8ft	7960	82.2	101-1/16" (2567mm)
12ft	11940	121.1	151-3/16" (3839mm)

Color Temperature Conversion Factor (per ft)

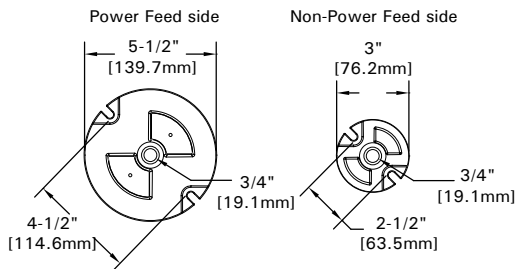
CCT	Lumens/ ft	Multiplier
3000K	923	0.927
3500K	995	1.000
4000K	1043	1.048

MOUNTING

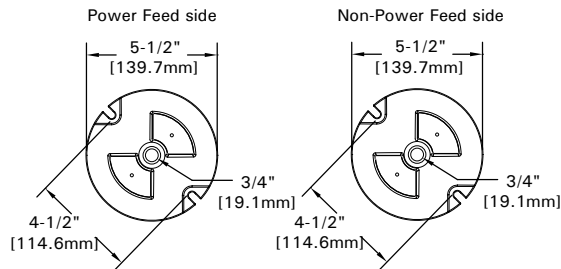
RC3 Mount - Standard rectangular wall mount plate



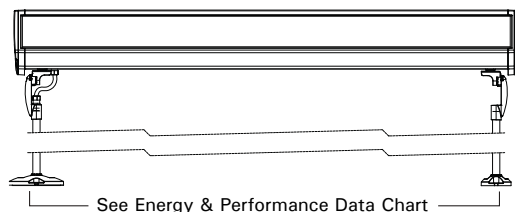
AK Mount - Standard circular wall mount plate



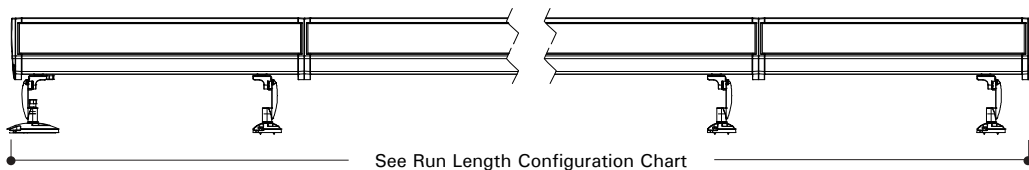
LMC Mount - Standard circular wall mount plate



Individual Linear (Axx)



Continuous Linear (AC_)



See page 4 for Technical Notes.

RUN LENGTH CONFIGURATION CHART

CONTINUOUS LINEAR RUN (AC _)				INDIVIDUAL LINEAR (Axx)			
Length (Nominal)	Actual Length	Fixture		Series	Length (Nominal)	Actual Length	Fixture
16	16.77	8' 8'		A02	2	2.28	2'
20	20.94	12' 4' 4'		A04	4	4.25	4'
24	23.1	8' 8' 6		A06	6	6.45	6'
26	25.12	12' 12'		A08	8	8.42	8'
30	29.29	12' 12' 4'		A12	12	12.60	12
32	31.5	12' 12' 6					
34	33.47	12' 12' 8'					
38	37.6	12' 12' 12'					
40	39.8	12' 12' 6 4' 4'					
42	41.8	12' 12' 8' 8'					
46	45.9	12' 12' 8' 8' 4'					
48	48.2	12' 12' 8' 8' 6					
50	50.16	12' 12' 12' 12'					
52	52.3	12' 12' 12' 8' 6					
54	54.34	12' 12' 12' 8' 8'					
56	56.54	12' 12' 12' 12' 6					
58	58.5	12' 12' 12' 12' 8'					
60	60.7	12' 12' 12' 12' 6 4'					
62	62.6	12' 12' 12' 12' 12'					
64	64.8	12' 12' 12' 12' 8' 6					
66	66.8	12' 12' 12' 12' 8' 8'					
68	67.1	12' 12' 12' 12' 6 6 4'					
72	71.0	12' 12' 12' 12' 8' 8' 4'					
76	75.2	12' 12' 12' 12' 12' 12'					
78	77.4	12' 12' 12' 12' 12' 8' 6					
80	79.3	12' 12' 12' 12' 12' 8' 8'					
82	81.5	12' 12' 12' 12' 12' 12' 6					
84	83.5	12' 12' 12' 12' 12' 12' 8'					
86	85.7	12' 12' 12' 12' 12' 12' 8' 8' 6					
88	87.7	12' 12' 12' 12' 12' 12' 12' 12'					
90	89.9	12' 12' 12' 12' 12' 12' 12' 8' 6					
92	91.9	12' 12' 12' 12' 12' 12' 12' 8' 8'					
94	94.1	12' 12' 12' 12' 12' 12' 12' 12' 6					
96	96.0	12' 12' 12' 12' 12' 12' 12' 12' 8' 8' 4'					
98	98.2	12' 12' 12' 12' 12' 12' 12' 12' 12' 6 4'					
100	100.2	12' 12' 12' 12' 12' 12' 12' 12' 12' 12'					

Continuous Configuration Notes

1. Consult factory for alternate row configurations.
2. Continuous runs are supplied as components which can be field configured to fit specific installation requirements.

See page 4 for additional Technical Notes.

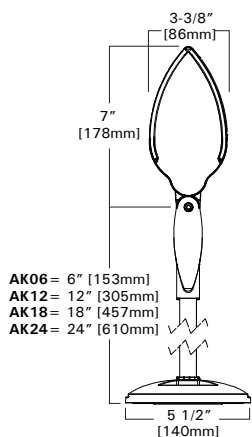


Cooper Lighting Solutions
 1121 Highway 74 South
 Peachtree City, GA 30269
 P: 770-486-4800
 www.cooperlighting.com

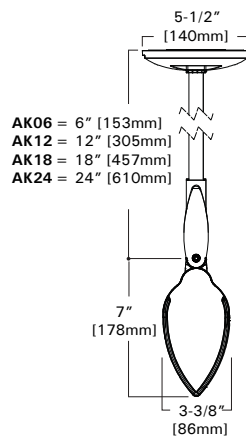
Specifications and dimensions subject to change without notice.
 See additional information on the following pages.

MOUNTING OPTIONS

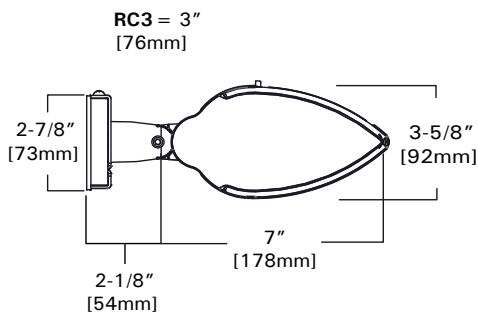
Base Mount



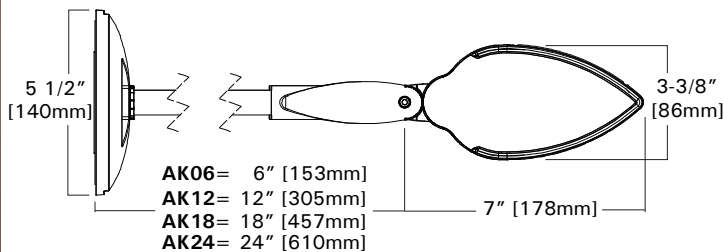
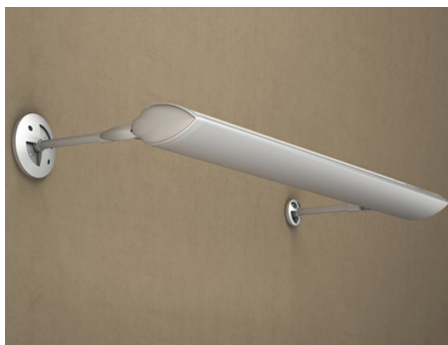
Ceiling Mount



Wall



Wall / Cantilever



TECHNICAL NOTES

1. All options may not be available with all models.
2. 12'- 0" fixtures require three mounting points
3. Slide 'N Mount adjustable lockable arms, are standard.
4. For RC3 mount: Use 2"x 4" horizontal j-box (by others) required for mounting.
5. Separate power feed required at maximum 80'-0" intervals (120V), or 100'-0" intervals (277V).
6. For run lengths less than 16 feet, please order individual fixtures.
7. Run lengths only available in even increments. Not all run lengths are available. See Run Length Configuration Chart on page 3 for details. Alternate configuration maybe available upon request.
8. Dimming is standard on all Arrowlineair fixtures. Individual fixtures require 2 power feeds for standard dimming.
9. For RC3 mount: Use 2"x 4" horizontal j-box (by others) required for mounting.
10. LMC Canopy standard on both arms for individual fixtures so option not available.