

## DESCRIPTION

The Arrowlinear fixture is a linear asymmetric system of lighting designed for wall washing and signage type applications. The fixture has multiple lengths and configurations, extruded aluminum housings, die cast end caps and mounting arms, and diffused acrylic lens. It is a simple and effective linear asymmetric lighting solution.

<b>Catalog #</b>		<b>Type</b>
<b>Project</b>		
<b>Comments</b>		<b>Date</b>
<b>Prepared by</b>		

## SPECIFICATION FEATURES

### Construction

Housing is corrosion-resistant. Type 6063-T6 aluminum extrusion with die-cast aluminum end caps. End caps are secured by concealed stainless steel fasteners. Housing, end caps, and lens are sealed with single, closed cell silicone gaskets. Stainless steel hardware is standard. Reflector is constructed from 22 gauge cold rolled steel and pre-painted reflective white. A slightly diffused acrylic lens is standard, constructed of impact-resistant, U.V. stabilized virgin acrylic to prevent discoloration.

### Reflector

Fixture includes the Opti-Lock asymmetric reflector system, constructed of specular Alanod 2000GS aluminum.

### Electrical

Use 90° supply wire (provided by others). Linear Fluorescent - Medium Bi-Pin and Mini Bi-Pin. Ballast is integral to the luminaire and includes quick-disconnect to meet NEC and CEC code requirements for disconnecting power to the fixture during service and maintenance. Lamps available from Ametrix at additional cost. Fifthlight is not available in all options; consult factory for more information.

### Mounting

Fixture includes Slide-N-Mount™ adjustable, lockable, mounting arms constructed from Type 383 die-cast aluminum. Support structure by others.

### Finish

Fixture housing is coated using electro-statically charged polyester

powder coat paint for superior protection against fade and wear. Standard colors include white, silver, black, and bronze. Consult factory for custom colors.

### Aiming

Fixture includes the PointGrab2™ lockable aiming system, providing minimum 180 degree vertical adjustment of the fixture housing in 5 degree increments. The aiming feature locks securely in place by means of a stainless steel locking mechanism.

### Compliance

UL/ cUL listed for use in damp locations. (Only 4ft length listed for wet location and IP66). When specified without a lens, the fixture is UL/ cUL listed for dry locations only.



## ARROWLINEAR

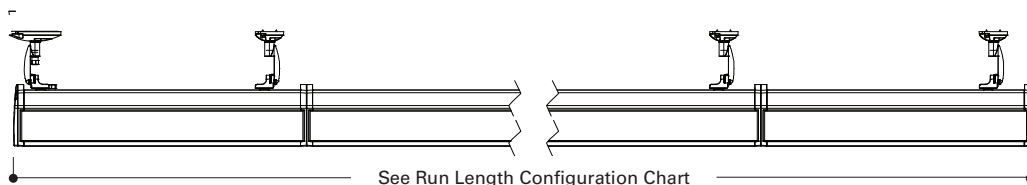
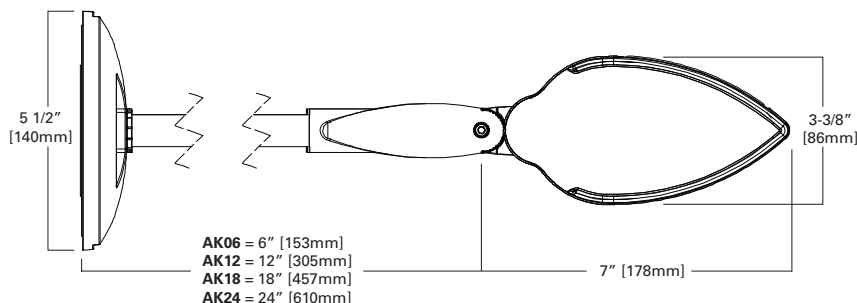
### FLUORESCENT

**Cantilever Mount**  
Asymmetric Indirect

Continuous Linear

CERTIFICATION DATA  
UL/cUL Dry Location Listing  
LM79 Compliant

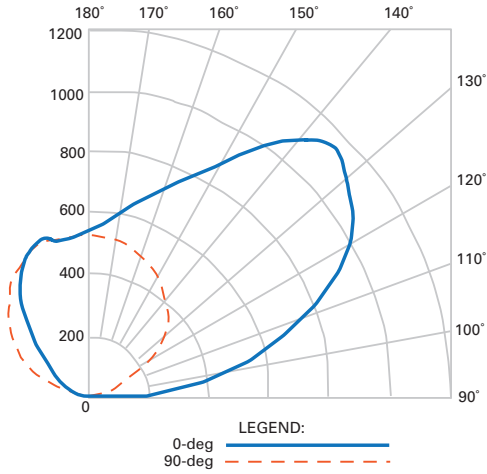
ENERGY DATA  
>0.9 Power Factor  
120V - 277V 50/60 Hz  
25°C Ambient Temperature



## ORDERING INFORMATION

Sample Number: AC-SI-N-1-LF-T8-UNV-B-RC3-NAT

Series	Size	Lens	(Number of Lamps) Light Level	Lamp Type	Lamp Source <sup>(6)</sup>	# of Circuits
AC = Arrowlinear Continuous Row <sup>(1)</sup>	SI = Indoor <sup>(2)</sup> SO = Outdoor <sup>(3,4,5)</sup>	A = Acrylic <sup>(4)</sup> N = None	1 = 1 Lamp	LF = Linear Fluorescent Electronic	N5 = T5 Normal T5 = T5 High Output T8 = Normal Output	1 = 1 Circuit
Wiring	Voltage	Finish	Mounting	Run Length	Options	
C = Standard Circuit D = Dimming E = Emergency	120 = 120V 277 = 277V 347 = 347V UNV = Universal	B = Black Z = Bronze S = Silver W = White C = Custom	AK6 = 6" Adjustable Knuckle/ Integral AK12 = 12" Adjustable Knuckle/ Integral AK18 = 18" Adjustable Knuckle/ Integral AK24 = 24" Adjustable Knuckle/ Integral	— = Specify in feet (Ex. 44 for 44 ft)	F = Fusing IL35 = 35" Internal Louver IL35M = 35" Internal Louver - Fixture Match NAT = Natatorium Environments <sup>(5,7)</sup> LMC = Large AK Mounting Canopies (in lieu of standard)	



**FILE NAME:** A04-SI-A-1-LF-032 CEILING MOUNT  
**CEILING WASH**

---

**LAMP:** ONE 4' T8 LINEAR FLUORESCENT LAMP

---

**LUMENS:** 3100

---

**INPUT WATTS:** 32

---

**EFFICACY:** 96.2 LPW

---

**TEST REPORT:** 175P282

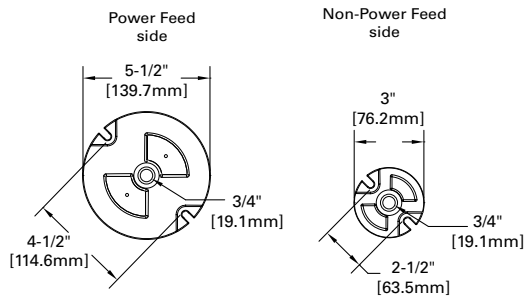
ZONAL LUMEN SUMMARY		
Zone	Lumens	% Fixture
0- 30	0	0
0- 40	0	0
0- 60	0	0
60- 90	14.5	0.6
70-100	126.3	5.6
90-120	677.9	29.9
0-90	14.5	0.6
90-180	2255.1	99.4
0-180	2269.6	100

ENERGY DATA

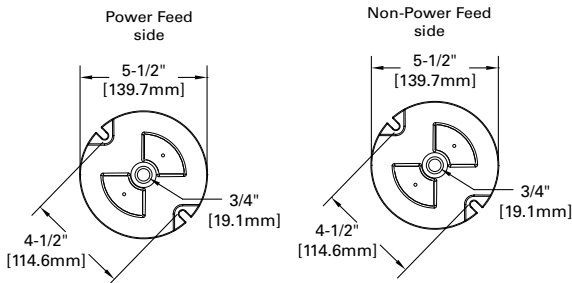
Lamp Source	Number of Lamps	Wattage	Lamp Base	Nominal Length	Actual Length	Mounting Centers
T8/T5HO Fluorescent	1	14W / 24W	Mini Bi-Pin	2'	27-3/8" [695 mm]	22-13/16" [580mm]
	1	21W / 39W	Mini Bi-Pin	3'	39-3/16" [995mm]	34-5/8" [880mm]
	1	28W / 54W	Mini Bi-Pin	4'	51" [1295mm]	46-7/16" [1180mm]
	2	21W / 39W	Mini Bi-Pin	6'	77-7/16" [1967mm]	72-29/32" [1852mm]
	2	28W / 54W	Mini Bi-Pin	8'	101-1/16" [2567 mm]	96-17/32" [2452mm]
	3	28W / 54W	Mini Bi-Pin	12'	151-3/16" [3839 mm]	146-7/16" [3719mm]
T8 Fluorescent	1	17W	Medium Bi-Pin	2'	27-3/8" [695 mm]	22-13/16" [580mm]
	1	25W	Medium Bi-Pin	3'	39-3/16" [995mm]	34-5/8" [880mm]
	1	32W	Medium Bi-Pin	4'	51" [1295mm]	46-7/16" [1180mm]
	2	25W	Medium Bi-Pin	6'	77-7/16" [1967mm]	72-29/32" [1852mm]
	2	32W	Medium Bi-Pin	8'	101-1/16" [2567 mm]	96-17/32" [2452mm]
	3	32W	Medium Bi-Pin	12'	151-3/16" [3839 mm]	146-7/16" [3719mm]

MOUNTING

AK Mount - Standard circular wall mount plate



LMC Mount - Standard circular wall mount plate



**RUN LENGTH CONFIGURATION CHART**

**Arrowlinear - Continuous - Cantilever**

INDOOR fixture row configurations For LED, T5, T5HO & T8 indoor applications only

Nominal Length (feet)	12'	8'	6'	4'	3'	2'	Actual Length
2						1	2.28
3					1		3.26
4				1			4.25
5				1			4.25
6			1				6.45
7			1				6.45
8		1					8.42
9		1					8.42
10			1		1		9.64
11				2	1		11.61
12	1						12.60
13	1						12.60
14		1			2		14.80
15		1			2		14.80
16		2					16.77
17		2					16.77
18	1				2		18.98
19	1				2		18.98
20		2			1		19.96
21	1			2			20.94
22		1	2				21.18
23		2	1				23.15
24		2	1				23.15
25	2						25.12
26	2						25.12
27	2					1	27.32
28	2				1		28.31
29	2			1			29.29
30	2			1			29.29
31	2		1				31.50
32	2		1				31.50
33	2	1					33.47
34	2	1					33.47

Nominal Length (feet)	12'	8'	6'	4'	3'	2'	Actual Length
35	2			2		1	35.67
36	2			2		1	35.67
37	3						37.64
38	3						37.64
39	2		1	2			39.85
40	2		1	2			39.85
41	2	2					41.82
42	2	2					41.82
43	2	2					41.82
44	2	2		1			45.99
45	2	2		1			45.99
46	2	2		1			45.99
47	3		1		1		47.21
48	2	2	1				48.20
49	2	2	1				48.20
50	4						50.16
51	4						50.16
52	3	1	1				52.37
53	4				1		53.35
54	3	2					54.34
55	3	2					54.34
56	4		1				56.54
57	4		1				56.54
58	4	1					58.51
59	4	1					58.51
60	4		1	1			60.72
61	4		1	1			60.72
62	5						62.69
63	5						62.69
64	4	1	1				64.89
65	4	1	1				64.89
66	4	2					66.86
67	4		2	1			67.10

Nominal Length (feet)	12'	8'	6'	4'	3'	2'	Actual Length
68	4		2	1			67.10
69	5		1				69.07
70	4	2			1		70.05
71	4	2		1			71.03
72	4	2		1			71.03
73	4	2	1				73.24
74	5	1			1		74.22
75	6						75.21
76	6						75.21
77	5	1	1				77.41
78	5	1	1				77.41
79	5	2					79.38
80	5	2					79.38
81	6		1				81.59
82	6		1				81.59
83	6	1					83.56
84	6	1					83.56
85	6		1		1		84.78
86	5	2	1				85.76
87	7						87.73
88	7						87.73
89	6	1	1				89.94
90	6	1	1				89.94
91	7				1		90.92
92	6	2					91.90
93	6	2					91.90
94	7		1				94.11
95	7		1				94.11
96	6	2		1			96.08
97	6	2		1			96.08
98	7		1	1			98.28
99	7	1			1		99.27
100	8						100.25

Note: Consult factory for alternate row configurations.

**TECHNICAL NOTES**

1. See Run Length Configuration Chart for details.
2. Indoor rows utilize maximum 12' sections.
3. Outdoor rows utilize maximum 4' sections.
4. Required for outdoor application and natatorium environments.
5. Requires acrylic lens option.
6. Lamp not included - available at additional cost.
7. Natatorium rows utilize maximum 4' sections.



Cooper Lighting Solutions  
 18001 E. Colfax Avenue  
 Denver, CO 80011  
 P: 303-393-1522  
 www.cooperlighting.com

Specifications and dimensions subject to change without notice.  
 See additional information on the following pages.

PS525044EN  
 03/03/2017