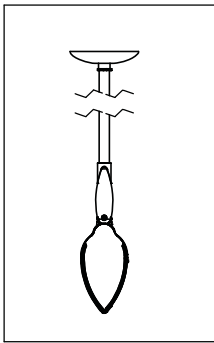
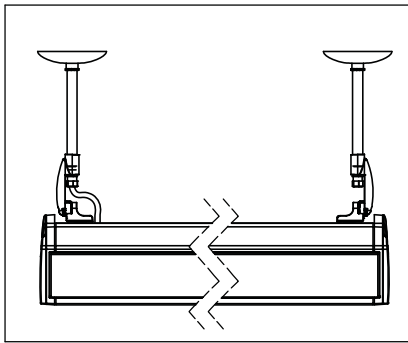


FRONT VIEW 2'3'/4'



SIDE VIEW



FRONT VIEW 6'8'/12'

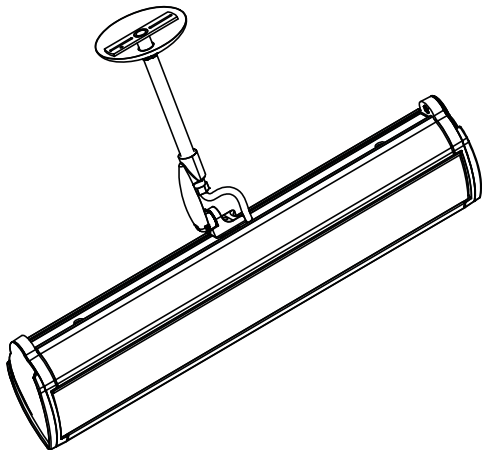
ARROWLINEAR INDOOR / OUTDOOR P1 CEILING

Warning: Before starting any work ensure that all sources of power are turned off. All work must meet local/national codes and be performed by a certified electrician. **Do not** mount fixtures vertically. Indoor fixtures cannot be used for outdoor applications.

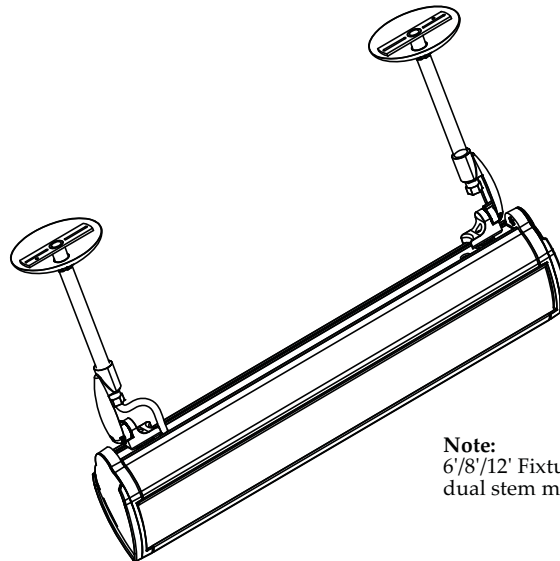
These installation instructions are valid for the above Arrowlinear mounting option.

Complete Fixture Assembly

(Fixture lengths will vary depending on lamp type; see lamp chart on page 2.)

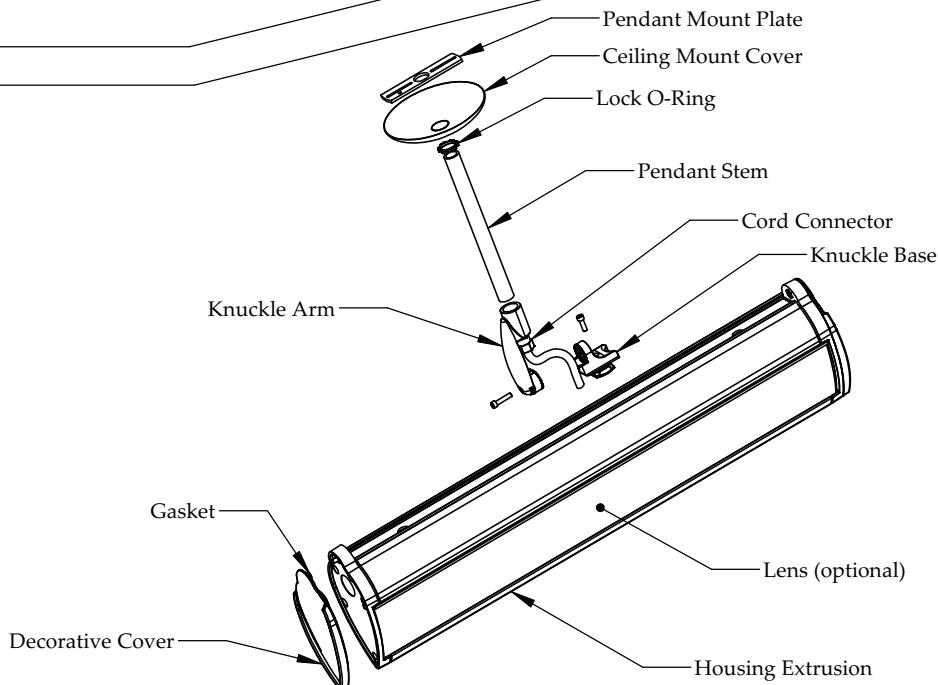


Note:
2'3'/4' Fixtures utilize single stem mount



Note:
6'8'/12' Fixtures utilize dual stem mount

Exploded View

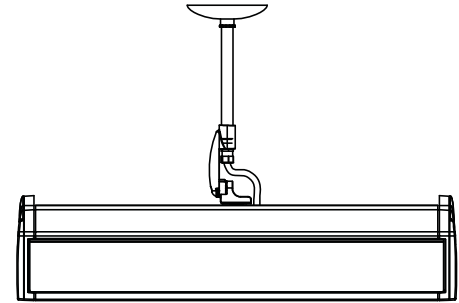


Note:
Lens (optional) is required for outdoor applications and for use in natatoriums.

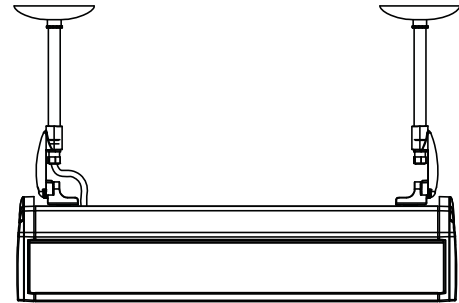
ARROWLINEAR INDOOR / OUTDOOR P1 CEILING

Warning: Before starting any work ensure that all sources of power are turned off. All work must meet local/national codes and be performed by a certified electrician. **Do not** mount fixtures vertically. Indoor fixtures cannot be used for outdoor applications.

Available Lengths	Available Wattages	Available Lamp Types	Mounting plate centers in(mm)
2FT	14W	(T5)	Single Stem Center on Fixture
2FT	17W	(T8)	
2FT	24W	(T5 HO)	
3FT	21W	(T5)	Single Stem Center on Fixture
3FT	25W	(T8)	
3FT	39W	(T5 HO)	
4FT	28W	(T5)	Single Stem Center on Fixture
4FT	32W	(T8)	
4FT	54W	(T5 HO)	
4FT	94W	(T5 VHO)	
4FT	84W	(T8 VHO)	
6FT	2 X 21W	(T5)	72 - 29/32IN (1852mm)
6FT	2 X 25W	(T8)	
6FT	2 X 39W	(T5 HO)	
8FT	2 X 28W	(T5)	96 - 17/32IN (2452mm)
8FT	2 X 32W	(T8)	
8FT	2 X 54W	(T5 HO)	
8FT	2 X 95W	(T5 VHO)	
8FT	2 X 84W	(T8 VHO)	
12FT	3 X 28W	(T5)	146 - 27/64IN (3719mm)
12FT	3 X 32W	(T8)	
12FT	3 X 54W	(T5 HO)	
12FT	3 X 94W	(T5 VHO)	73 - 7/32IN (1860mm)
12FT	3 X 84W	(T8 VHO)	



Single arm for 2'/3'/4' fixtures only

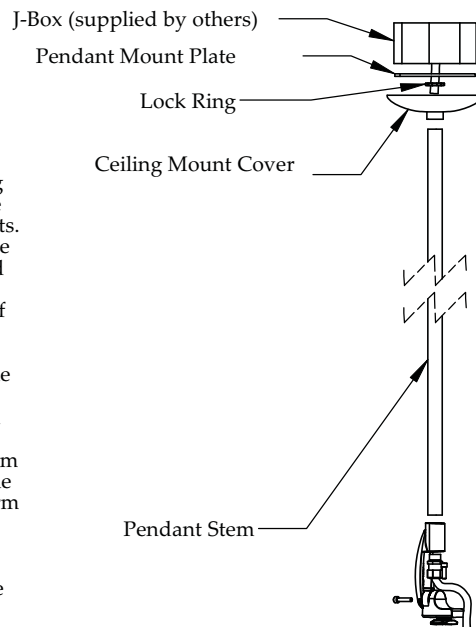


Dual arm for 6'/8'/12' fixtures only

Prior to Roughing in J-Boxes:

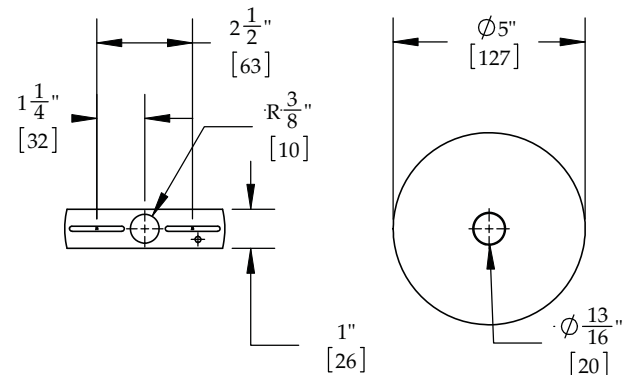
- Determine the location of fixture mounting and verify structure will support the weight of the fixtures. If necessary use additional bracing to support brackets.
- Install Indoor / Outdoor rated J-Boxes (by others). Refer to **Mounting Power-Side Assembly** for installation details.
- After assembling the fixture, using the dimensions provided in the lamp table, follow the instructions below.

1. Mounting Power-Side Assembly



- After fixture is assembled, using supplied hardware, secure mounting plate over the J-box. If necessary, use additional bracing to support brackets.
- Remove the reflector by pulling the tabs at each end out of the tracks and rotating the reflector out. Wire the power cord (supplied) to the inside of the fixture.
- Run the power cord through the cord connector (supplied) and out the back of the fixture. The power cord will go through the knuckle arm and wallplate and into the J-box.
- Non-power arms will be wired from inside the fixture and run through the knuckle arm and through the other arm into the next fixture, until all fixtures are wired together.
- Unscrew the set screw to pendant cover to allow you to wire the fixture to the power inside the J-Box (by others), making sure all connections are properly matched.

2. Mounting Plate Dimensions: in(mm)



Ensure #8-32 x 1/2 pan head screws are securely fastened to J-box (by others).

ARROWLINEAR INDOOR / OUTDOOR P1 CEILING

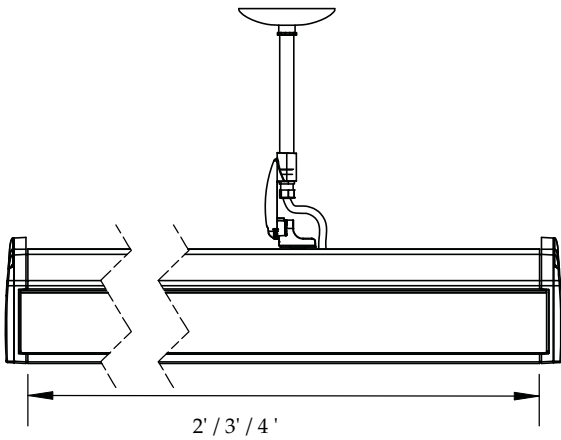
Warning: Before starting any work ensure that all sources of power are turned off. All work must meet local/national codes and be performed by a certified electrician. **Do not** mount fixtures vertically. Indoor fixtures cannot be used for outdoor applications.

Power Feed

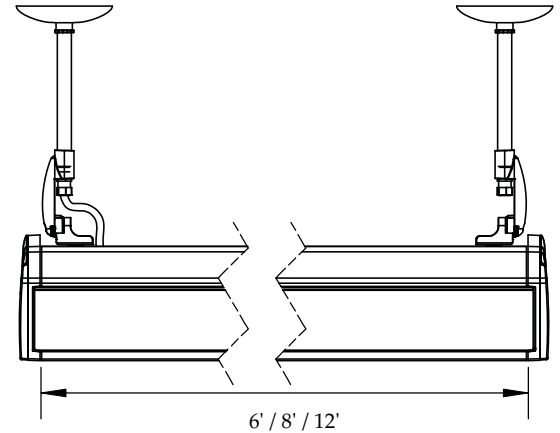
1. Wire the power cord (supplied) to the inside of the fixture by running the power cord through the endcap and out the back through the cord connector.
2. Attach all wires and ensure all connections are properly matched. Hide wires inside the fixture and attach Decorative Cover using 10-32x1/2" Socket Cap Screw

(Front View)

Note:
12' fixtures are not suitable for outdoor use or for use in natatoriums

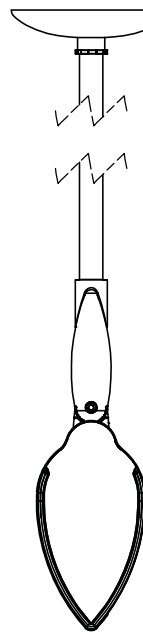


Note:
Fixture lengths will vary depending on lamp type; see lamp chart on page 2.



Standard Pendants

24"
30"
36"
42"
48"



This side to ceiling

(Side View)