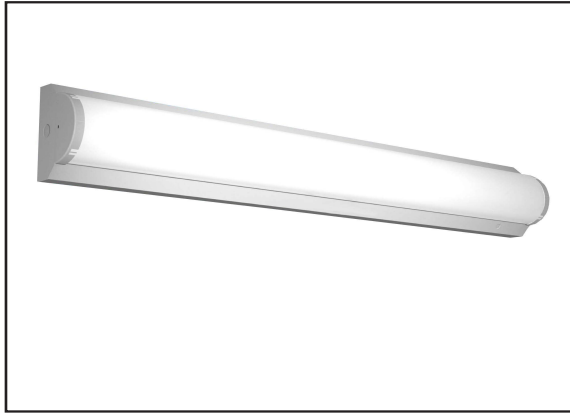


LWV50

LED Wall Vanity



PRODUCT SPECIFICATIONS

DESCRIPTION

The LWV50 Series is an LED Wall/Vanity fixture engineered with modern aesthetics in mind. It is available in 24", 46", and 48" options.

APPLICATIONS

The LWV50 Series of LED Wall/Vanity fixtures were designed to be high quality, energy efficient LED fixtures for use in wall or ceiling corridors.

CONSTRUCTION

The fixture is constructed of a heavy gauge, cold rolled steel. Unit is powder coated white.

OPTICAL SYSTEM

Durayl® Acrylic or Basic Acrylic options in smooth white.

ELECTRICAL SYSTEM

Electronic driver 0-10V, 1% and 10% dimming standard. For outputs SL and ML, 0-10V 10% dimming driver (no dim to off) is standard. For outputs HL, 0-10V 1% dim to off dimming driver standard. Long-life LED system rated for >100K hours (L70 @ 25°C). Complies with federal energy efficiency standards.

MOUNTING

Units are designed for surface/wall mounting.

LISTINGS

UL and cUL Listed. Damp location rated.

WARRANTY

5-Year Limited Warranty. Complete warranty and terms located at www.aelnow.com/warranty.

ORDERING INFORMATION

Example: LWV5040SLDAMW24

SERIES	COLOR TEMP	OUTPUT	DIFFUSER	VOLTAGE	COLOR	FIXTURE LENGTH	
LSWV50	30	3000K	SL Standard Low	DA Durayl LED Acrylic (Smooth White)	M Multi-Volt (120-277VAC)	W White	2 24"
	35	3500K	ML Medium Low			SP Custom	4 48"
	40	4000K	HL High Low	BA Basic Acrylic (Smooth White)			
	50	5000K					

DRIVER		OPTIONS	
BLANK*	0-10V Dimming Driver (included standard)	12EBL	1200 Lumen Emergency Ballast
CD1	0-10V 1% to Off Dimming Driver	NL	LED Night Light
CD5	0-10V 5% to Off Dimming Driver	VDO	Lutron Vive Integral RF controller with daylight and occupancy sensing
EDN	Electronic Driver Non-Dimming	FCJ50	Lutron Vive Attached RF fixture controller for 0-10V drivers
FLDD	Fifth Light Dali, Dimming	GFCI	Ground Fault Circuit Interrupter
LDE1	Lutron Hi-lume 1% EcoSystem LED driver with Soft-on, Fade-to-Black dimming technology		
LDE5	Lutron LDE5 5-Series Ecosystem 5% Dimming		

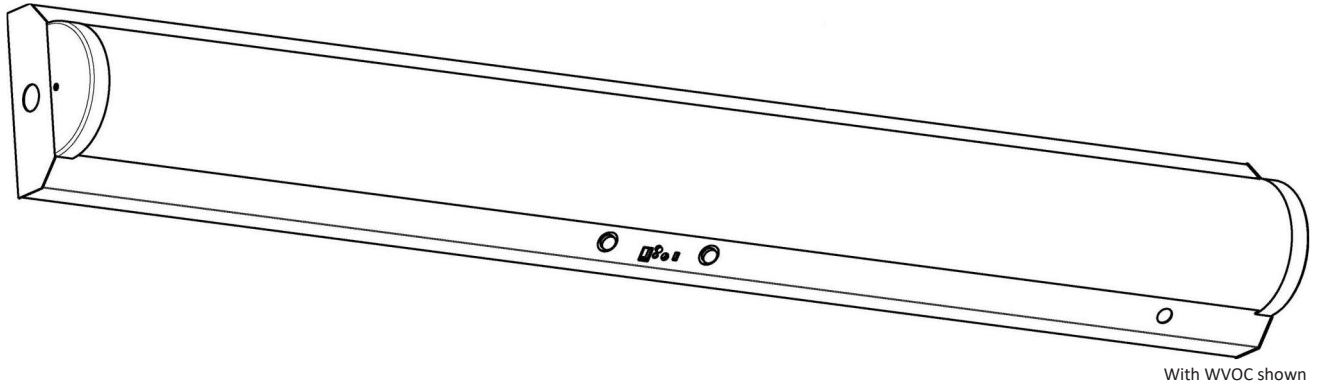
*0-10V 10% dimming driver (no dim to off) standard with SL-ML outputs. (4650 - 7974 lumens)

*0-10V 1% to off dimming driver standard with HL outputs. (11150 lumens)

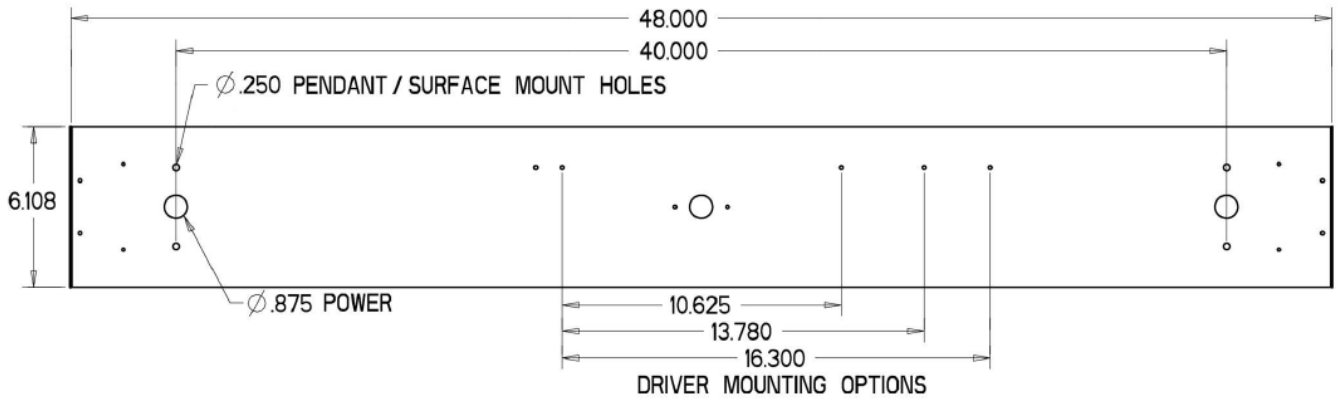
For optional lumen packages, please specify the desired number of lumens at the end of the part#. Example: LWV5040SLDAMW245000

Output	Delivered Lumens	System Wattage	L70 @20C (hrs)
SL	4650	33	>100K
ML	7974	57	>100K
HL	11150	80	>100K

FIXTURE DIMENSIONS



BOTTOM VIEW



END VIEW

