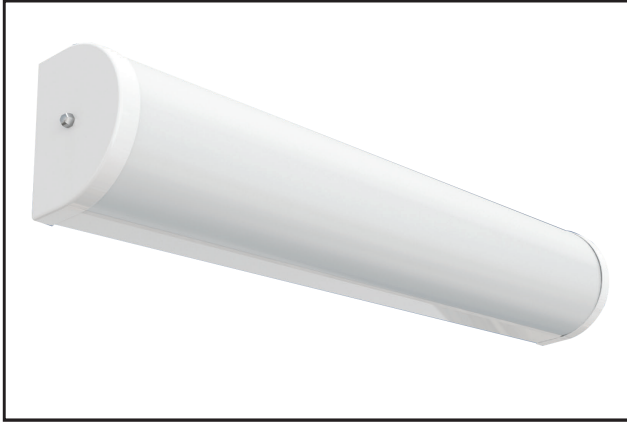


LWV07

LED Wall / Vanity Luminaire



STANDARD

OPTIONAL



PRODUCT SPECIFICATIONS

DESCRIPTION

The LWV07 Series is a Wall/Vanity LED Luminaire with a smooth white acrylic diffuser.

APPLICATIONS

The LWV07 Series of LED Wall/Vanity fixtures are designed to be high quality, energy efficient LED fixtures for use in corridors, stairwells, bathrooms, etc.

CONSTRUCTION

The fixture is constructed of a structurally embossed, heavy gauge, cold rolled steel. White finish with powder coated white ends.

OPTICAL SYSTEM

High output LED's available in 3000K, 3500K, 4000K, and 5000K. White pre-painted polyester polymer finish with a high reflectivity

ELECTRICAL SYSTEM

Electronic drivers are available for 120/277V applications. Long-life LED system rated for >100,000 life hours (L70 @ 25°C). Metal gear tray for internal LED driver. Complies with federal energy efficiency standards.

MOUNTING

The LWV07 Series is designed for surface mounting on either a wall or ceiling.

LISTINGS

UL and cUL Listed. Damp location rated.

WARRANTY

5-Year Limited Warranty. Complete warranty and terms located at www.aelnow.com/warranty.

ORDERING INFORMATION

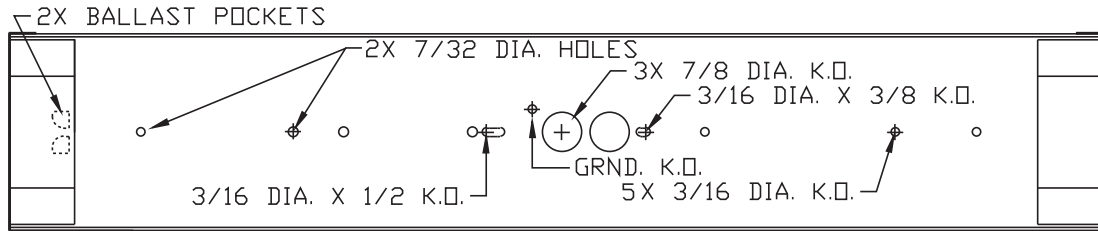
Example: LWV0740MLSWMW4

SERIES	COLOR TEMP		OUTPUT		DIFFUSER		VOLTAGE		COLOR		LENGTH		OPTIONS			
LWV07	30	3000K	SL	Standard Low	SW	Smooth White Acrylic	M	120/277V (Multi-Volt)	W	White	2	2 Feet	12EBL	1200 Lumen Emergency Ballast		
	35	3500K	ML	Medium Low							4	4 Feet			PC	Pull Chain
	40	4000K	HL	High Low							CO	Convenience Outlet				
	50	5000K	SM	Standard Medium								RS			Motion and Sound Sensor	
			MM	Medium Medium												
			HM	High Medium												
			SH	Standard High												
	MH	Medium High	GFCI	Ground Fault Circuit Interrupter												
HH	High High															

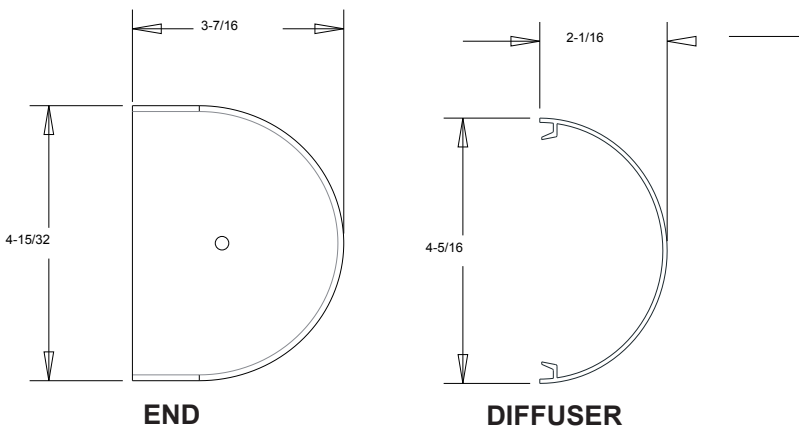
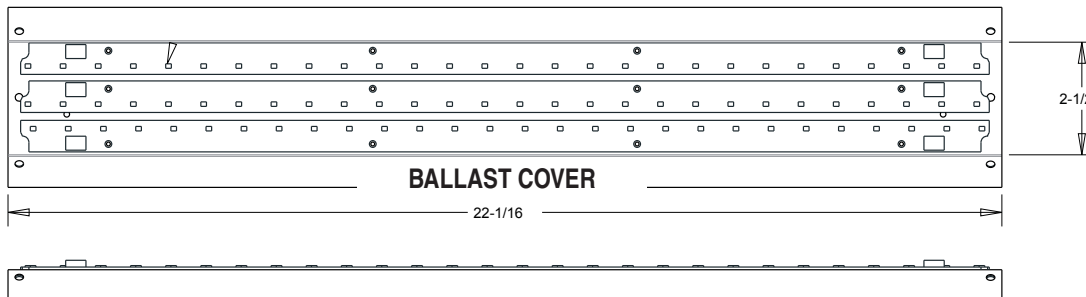
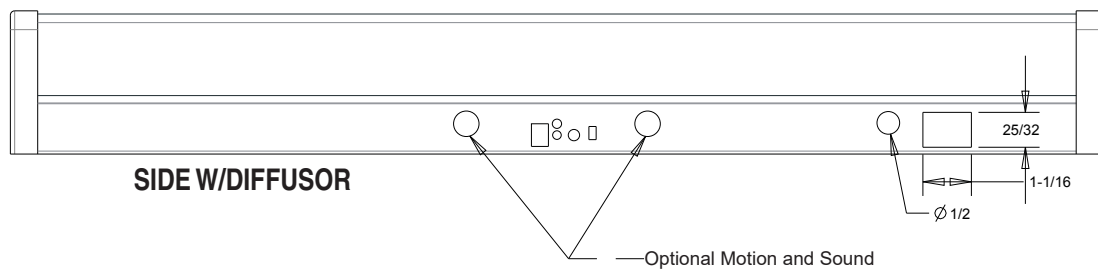
Output	Delivered Lumens	System Wattage	L70 @20C (hrs)
SL	4650	33	>100K
ML	7974	57	>100K
HL	11150	80	>100K
SM	12040	86	>100K
MM	13016	93	>100K
HM	15728	112	>100K
SH	16500	118	>100K
MH	20000	143	>100K
HH	25000	179	>100K

Approximate Color Temperature Multiplier	
5000K	1.03
4000K	1
3500K	0.97
3000K	0.94
2700K	0.91

FIXTURE DIMENSIONS



TOP



ENERGY AND PERFORMANCE DATA

Input Voltage	120/277VAC
System Input Power	33 - 179 Watts*
Delivered Lumen Output	4650 - 25000 Lumens
Standard Dimming Control	0-10V
CCT	3000, 3500, 4000, 5000 Kelvin
CRI	82 (minimum)
Life Time Rating	>100,000 hrs @ L70
Input Frequency	50/60 Hz
Power Factor	>0.9
Operating Temp	30° to 50° C

*Actual wattage may differ by ±5% while operating 120/277V ±10%