

LWHB

Wash Down LED High Bay Luminaire



IP67
CERTIFIED

IP66
CERTIFIED



PRODUCT SPECIFICATIONS

DESCRIPTION

The LWHB Series is an IP Rated Wash Down LED High Bay luminaire. It boasts a gasketed enclosure that is completely dust and moisture resistant. The LWHB utilizes state-of-the-art LED technology to deliver the highest possible efficiency in the lighting industry.

APPLICATIONS

The LWHB Series of Wash Down LED High Bays were designed to be high quality, energy efficient fixtures for use in food processing facilities, kitchens, parking garages, canopy, stairwells, car washes, government facilities, schools, public areas and industrial facilities. Suitable for both indoor and outdoor applications.

CONSTRUCTION

The fixture is constructed of a single-piece 5VA-fl rated fiberglass upper body and an acrylic diffuser securely positioned with a permanent, poured-in-place, polyurethane sealing gasket. The diffuser and upper components are locked in place and sealed tightly with tamper-resistant stainless steel retaining latches. High impact acrylic/DR material diffuser composition.

OPTICAL SYSTEM

Medium distribution light output. Choice of frosted or clear impact-resistant acrylic or polycarbonate lens. White polyester polymer finish reflector with a minimum 93% reflectivity. Miro 4 reflector available.

ELECTRICAL SYSTEM

Electronic drivers are available for 120/277V applications, 0-10v dimming standard. Long-life LED system rated for >100K life hours (L70 @ 45°C). Metal gear tray for internal LED driver. Complies with federal energy efficiency standards.

MOUNTING

The fixture can be suspended or surface mounted. Utilizes off the shelf 1/2" fittings.

LISTINGS

UL and cUL Listed. CSA approved. NSF International Certified. IP66 and IP67 Certified for Wet Location applications. NEMA 4X. Manufactured in the USA, BAA Compliant.

WARRANTY

5-Year Limited Warranty. Complete warranty and terms located at www.aelnow.com/warranty.

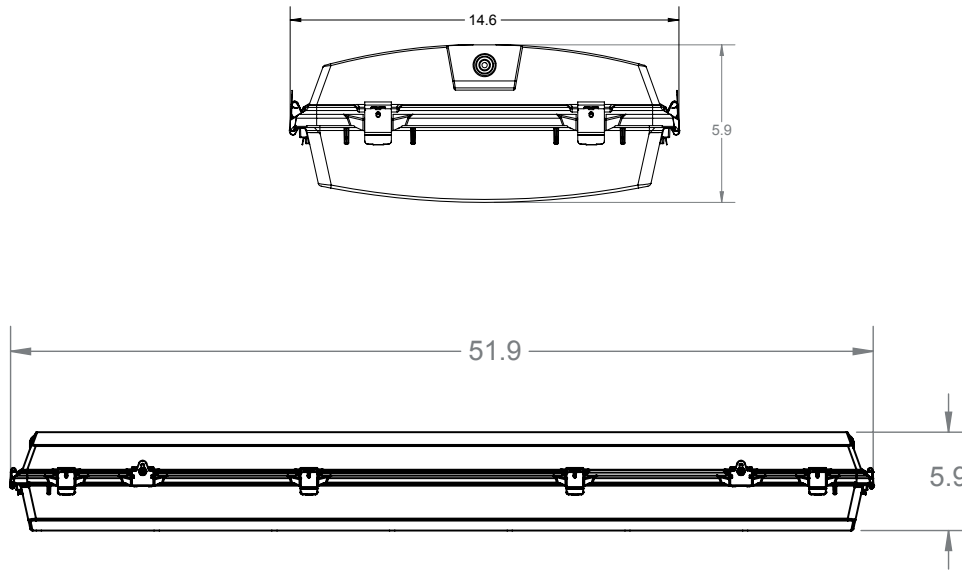
ORDERING INFORMATION

Example: LWHB40-40-M-CA-M

SERIES	CCT	OUTPUT	LENS	VOLTAGE	HANGING OPTIONS	OPTIONS
LWHB	30	3000K	S Standard	M 120/277V	SMH Surface Mount AFH "A" Frame	12EBL 12W Emergency Driver WS Wet Location Occupancy Sensor
	35	3500K	M Medium			
	40	4000K	H High			
	50	5000K	VH Very High			
			CA Clear Acrylic			
			FA Frosted Acrylic			
			CP Clear Polycarbonate			
			FP Frosted Polycarbonate			

***For specific lumen outputs, please place the specific lumens desired at the end of the part#.*

For Example: LWHB-40-VH-FA-M-30000 for 30,000 lumens

FIXTURE DIMENSIONS

ENERGY AND PERFORMANCE DATA

Input Voltage	120/277VAC
System Input Power	50, 98, 126, and 227 Watts*
Delivered Lumen Output	7,881-36,000 Lumens
Standard Dimming Control	0-10V
CCT	3000, 3500, 4000, 5000 Kelvin
CRI	82 (minimum)
Life Time Rating	100,000 hrs @ L70
Input Frequency	50/60 Hz
Power Factor	>0.9
Operating Temp	30° to 50° C

*Actual wattage may differ by ±5% while operating 120/277V ±10%

LED SYSTEM DATA

Output	Delivered Lumens	System Wattage	L70 @ 45°C (hrs)	Amperage Draw	
				120V	277V
Standard	7881	50	>100K	.42A	.18A
Medium	15500	98	>100K	.82A	.35A
High	20000	126	>100K	1.05A	.46A
Very High	36000	227	>100K	1.89A	.82A